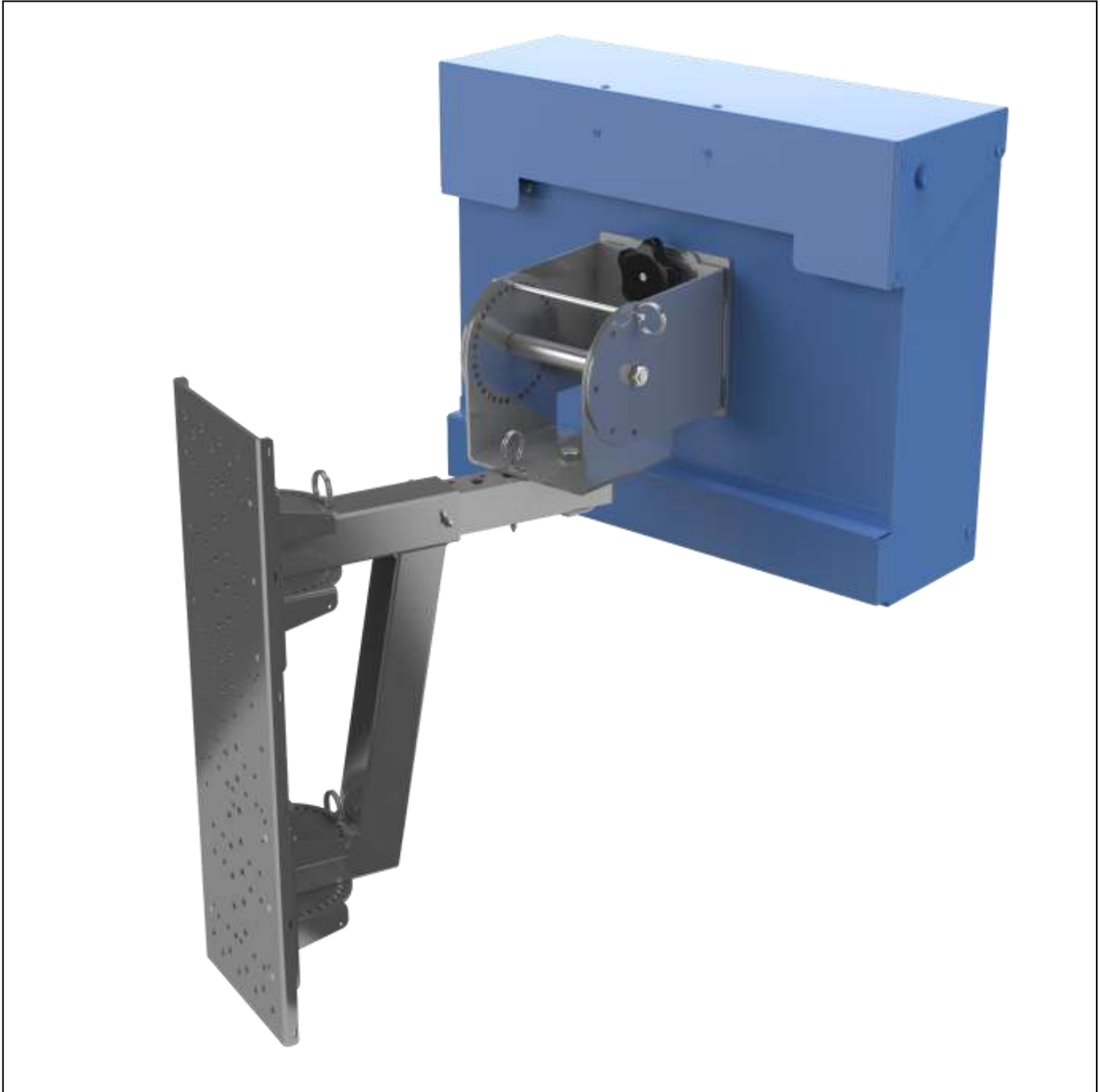


# PQS

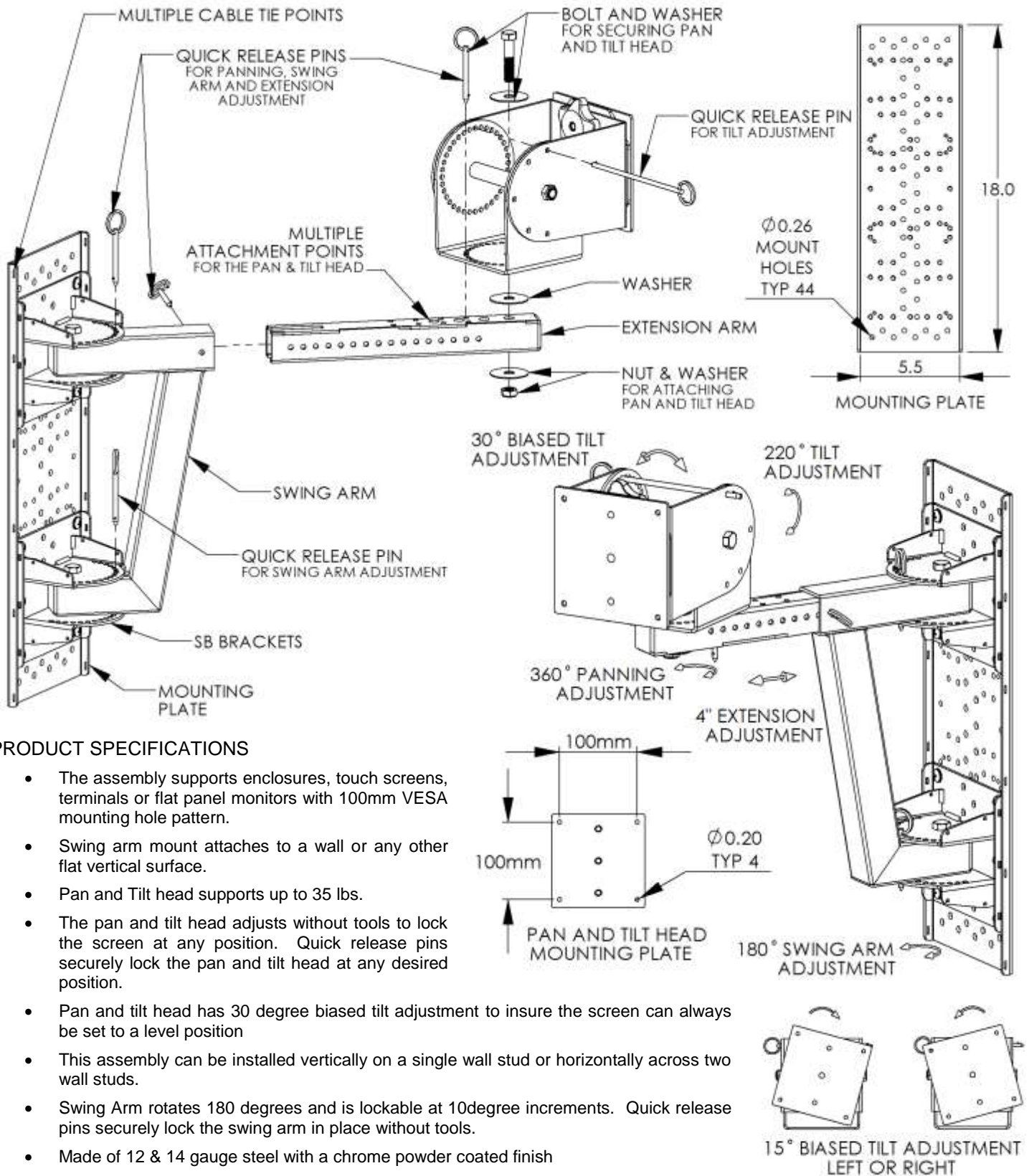
PRACTICAL QUALITY SYSTEMS  
Fast Custom Manufacturing - Nationwide Installation Services

## 35LB Swing Arm Mount w-100mm VESA Pan & Tilt Head PN 80972



NOTE: 35LB Swing Arm Mount with a 100mm VESA Pan and Tilt head shown with PQS 15" IBM APK Enclosure (PN 80402) Also available with 200x100/200mm VESA pan and tilt heads.

**35LB Swing Arm Mount w-100mm VESA Pan & Tilt Head PN 80972**

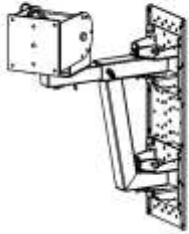


**PRODUCT SPECIFICATIONS**

- The assembly supports enclosures, touch screens, terminals or flat panel monitors with 100mm VESA mounting hole pattern.
- Swing arm mount attaches to a wall or any other flat vertical surface.
- Pan and Tilt head supports up to 35 lbs.
- The pan and tilt head adjusts without tools to lock the screen at any position. Quick release pins securely lock the pan and tilt head at any desired position.
- Pan and tilt head has 30 degree biased tilt adjustment to insure the screen can always be set to a level position
- This assembly can be installed vertically on a single wall stud or horizontally across two wall studs.
- Swing Arm rotates 180 degrees and is lockable at 10degree increments. Quick release pins securely lock the swing arm in place without tools.
- Made of 12 & 14 gauge steel with a chrome powder coated finish
- Swing arm can be installed in 6 different configurations

**35LB Swing Arm Mount w-100mm VESA Pan & Tilt Head PN 80972**

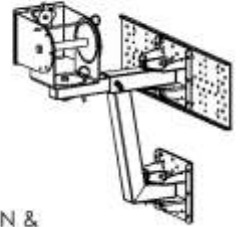
OVER ARM UPRIGHT PAN & TILT HEAD CONFIGURATION



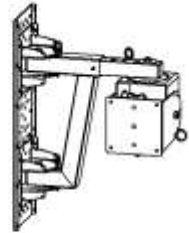
UNDER ARM UPRIGHT PAN & TILT HEAD CONFIGURATION



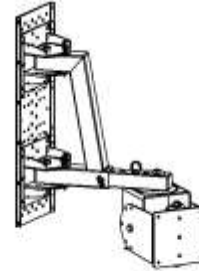
HORIZONTAL MOUNT CONFIGURATION



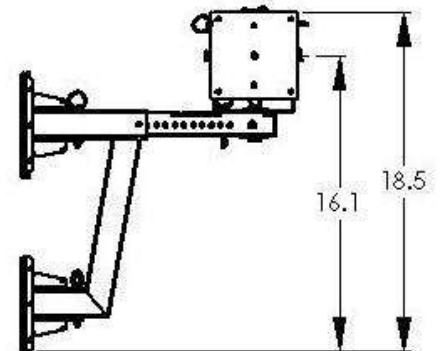
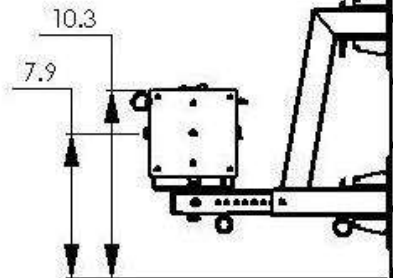
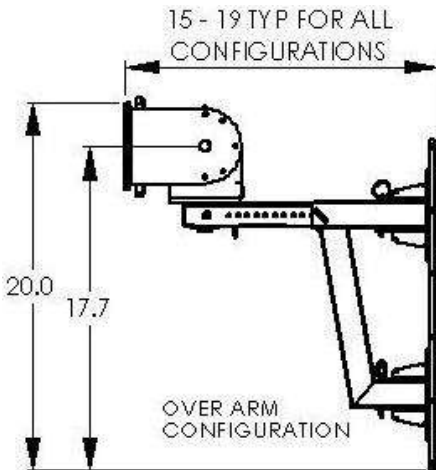
OVER ARM PENDANT PAN & TILT HEAD CONFIGURATION



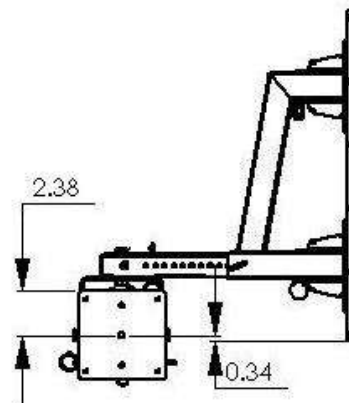
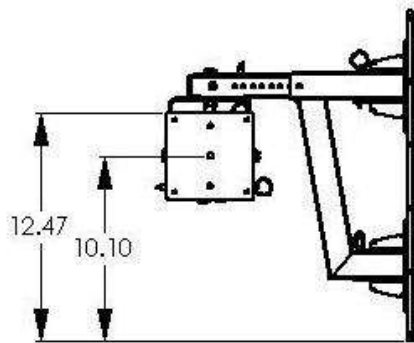
UNDER ARM PENDANT PAN & TILT HEAD CONFIGURATION



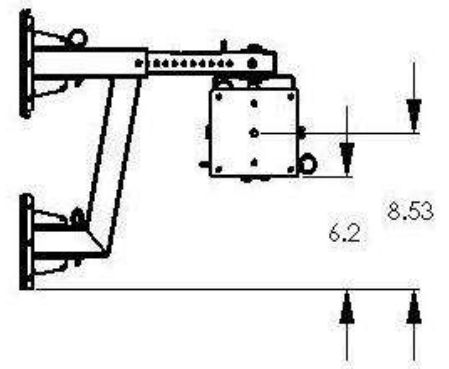
- The horizontal position of the arm can be easily changed and locked as needed by removing and reinserting a simple hand knob.
- Extension Arm has 2" of length adjustment and adjusts in 0.5" increments without tools to lock in position. Quick release pins securely lock the extension arm in place.
- The arm can be extended to increase the mount's reach from 15.2" to 17.2".



MOUNT STUD BRIDGE IN A VERTICAL POSITION

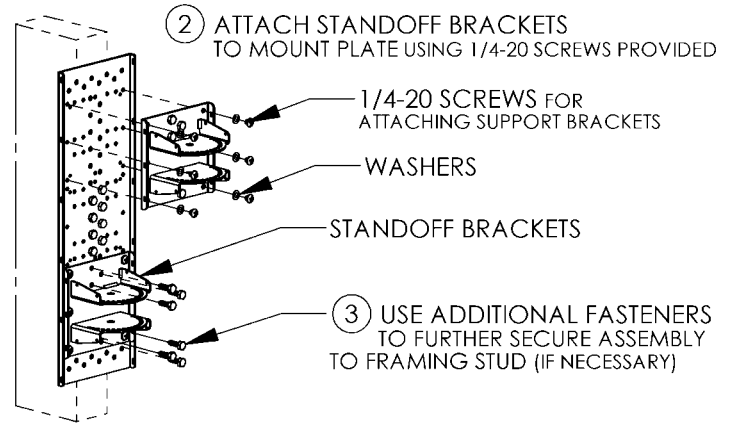
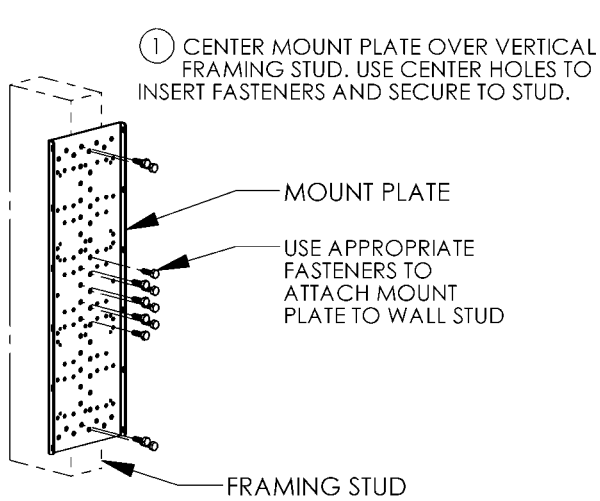


MOUNT STUD BRIDGE IN A HORIZONTAL POSITION

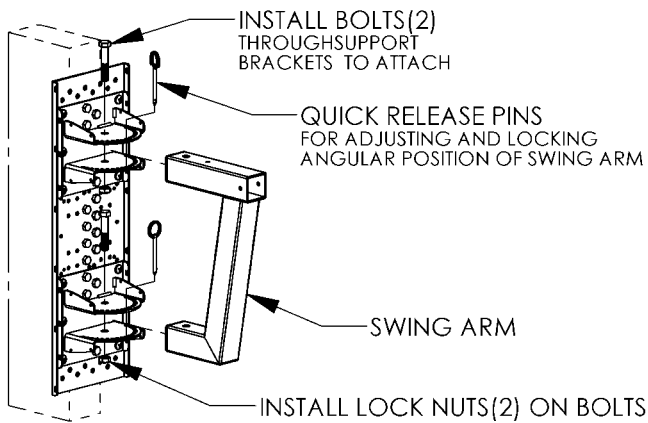


# 35LB Swing Arm Mount w-100mm VESA Pan & Tilt Head PN 80972

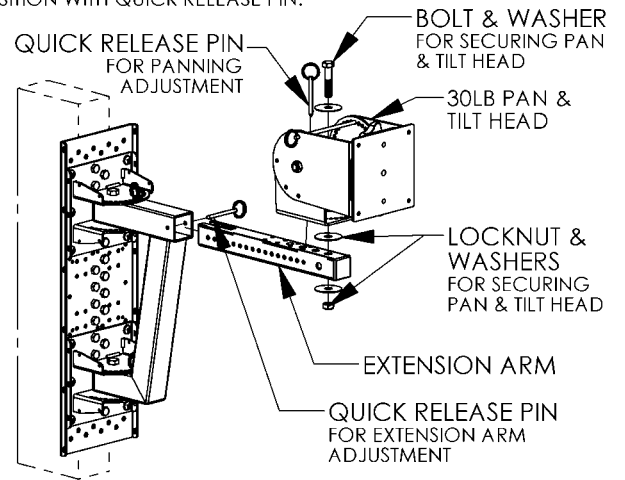
## INSTALLING TO A VERTICAL FRAMING STUD



④ ATTACHING SWING ARM  
POSITION SWING ARM AND SECURE WITH BOLTS.



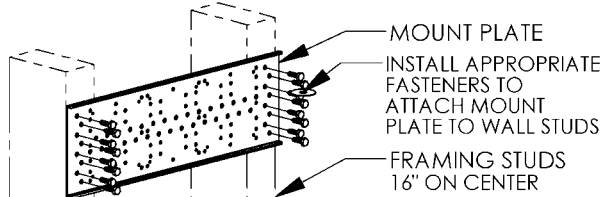
⑤ ATTACHING EXTENSION ARM AND PAN & TILT HEAD  
INSERT EXTENSION ARM AND SECURE WITH QUICK RELEASE PIN.  
POSITION PAN & TILT HEAD AND SECURE WITH BOLT AND NUT. LOCK PANNING POSITION WITH QUICK RELEASE PIN.



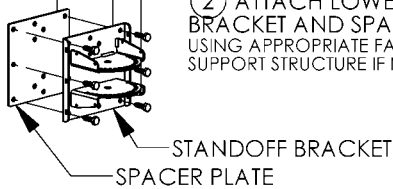
**35LB Swing Arm Mount w-100mm VESA Pan & Tilt Head PN 80972**

INSTALLING BETWEEN TWO VERTICAL FRAMING STUDS

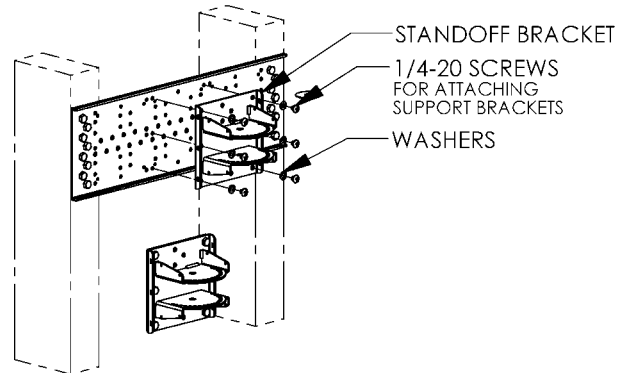
① CENTER MOUNT PLATE BETWEEN VERTICAL FRAMING STUD. USE MOUNT HOLES TO INSERT FASTENERS AND SECURE TO FRAMING STUDS.



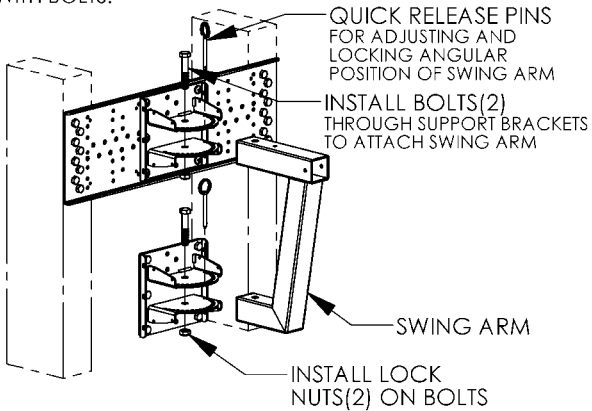
② ATTACH LOWER STANDOFF BRACKET AND SPACER PLATE USING APPROPRIATE FASTENERS. BUILD SUPPORT STRUCTURE IF NECESSARY.



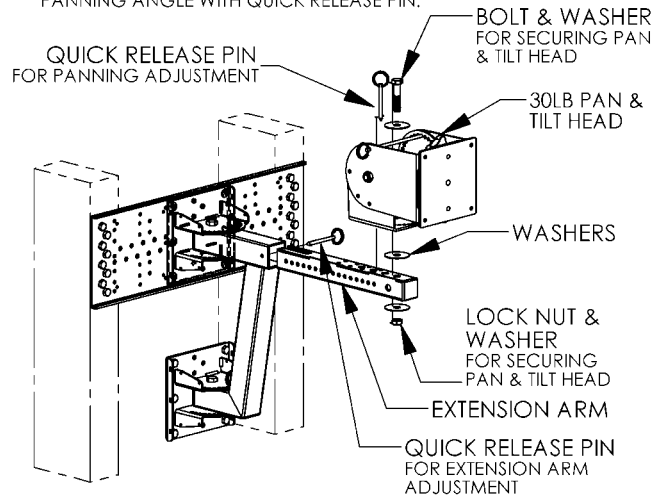
③ ATTACH STANDOFF BRACKET TO MOUNT PLATE USING 1/4-20 SCREWS PROVIDED



④ ATTACHING SWING ARM: POSITION SWING ARM AND SECURE WITH BOLTS.



⑤ ATTACHING EXTENSION ARM AND PAN & TILT HEAD INSERT EXTENSION ARM AND SECURE WITH QUICK RELEASE PIN. POSITION PAN & TILT HEAD AND SECURE WITH BOLT AND NUT. LOCK PANNING ANGLE WITH QUICK RELEASE PIN.



PRODUCT ASSEMBLIES

- To order this assembly use part number 80972.
- Available with pan and tilt heads to support all VESA and NON VESA compatible touch screens, terminals or flat panel monitors. For NON VESA compatible pan and tilt heads use 80972 and add the part number suffix found on the *Custom Fit Pan and Tilt Heads* page on our website. The page can be found listed under the "Other Products" section.
- If the website doesn't show a suffix that represents your compatible pan and tilt head then send us a sample of your screen and we'll create a *Custom Fit* solution for you.

35LB Swing Arm Mount w-100mm VESA Pan & Tilt Head PN 80972

MOUNTING OPTIONS: 35LB CLASS MOUNTING PRODUCTS:

- PQS offers several mounting options for medium duty applications. All mounts available with 100mm VESA patterns. Most are also available with 200x200 and 200x100mm VESA mounting patterns.

