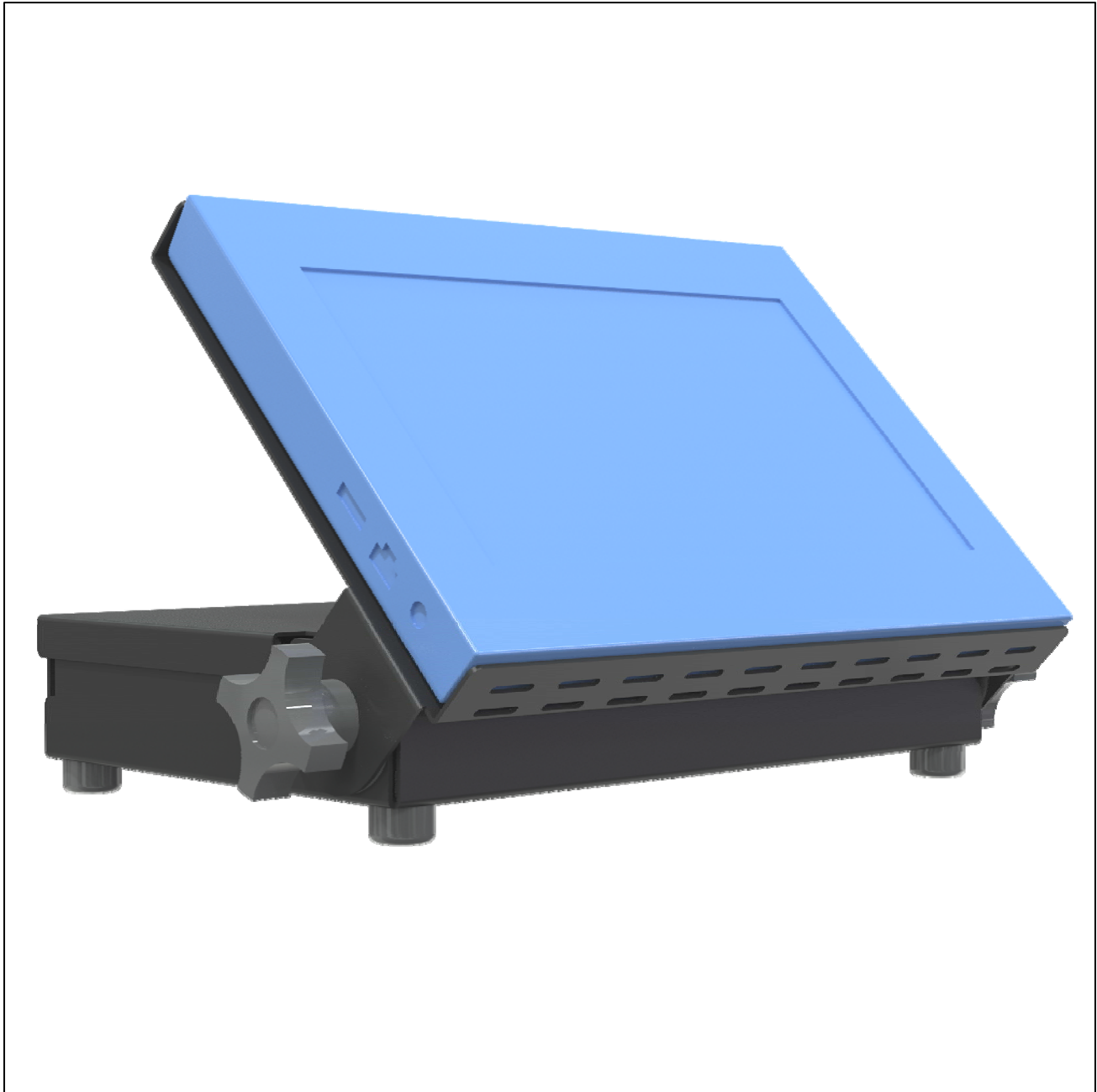


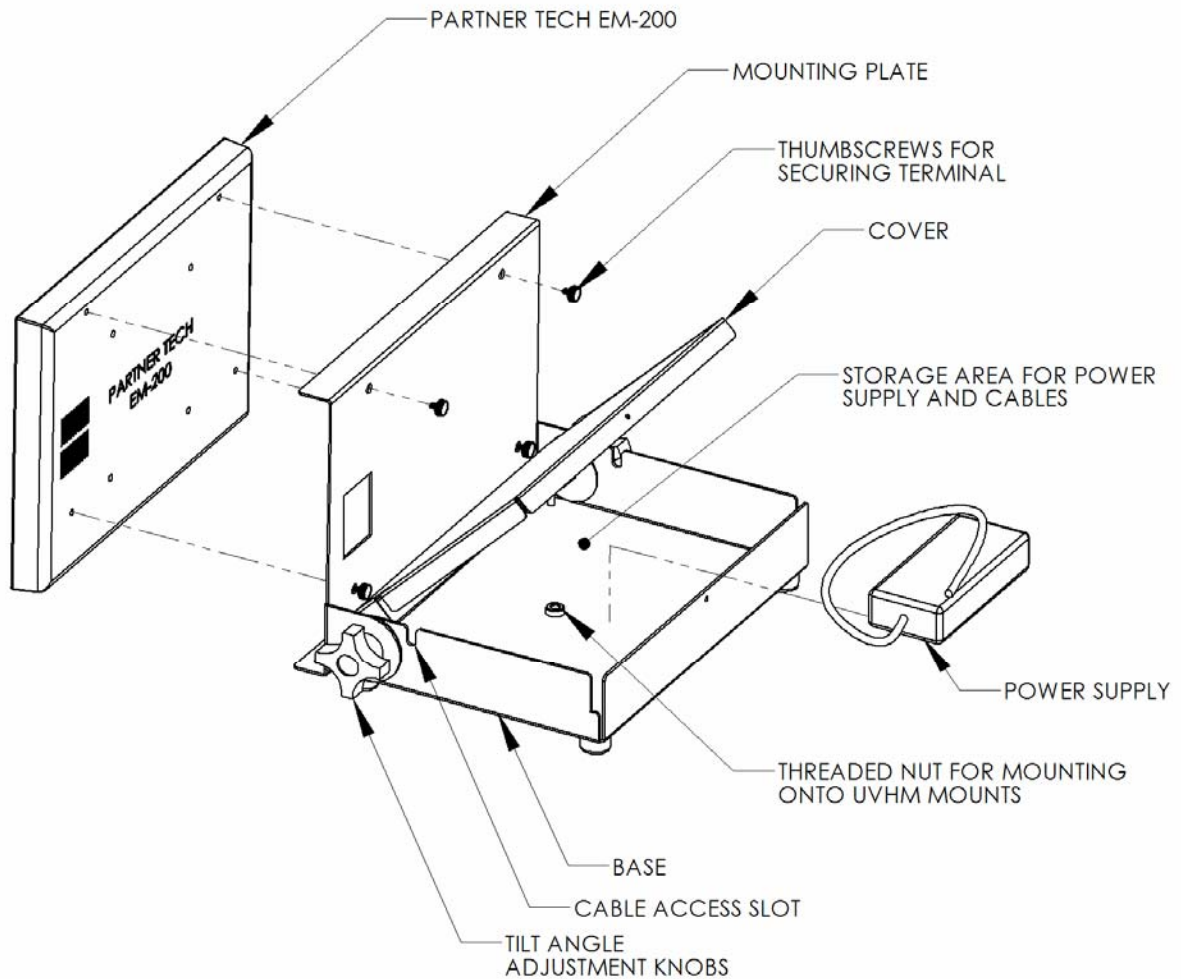
PQS

PRACTICAL QUALITY SYSTEMS
Fast Custom Manufacturing - Nationwide Installation Services

Countertop Mount for Partner Tech EM-200 touch screen terminal PN 80915



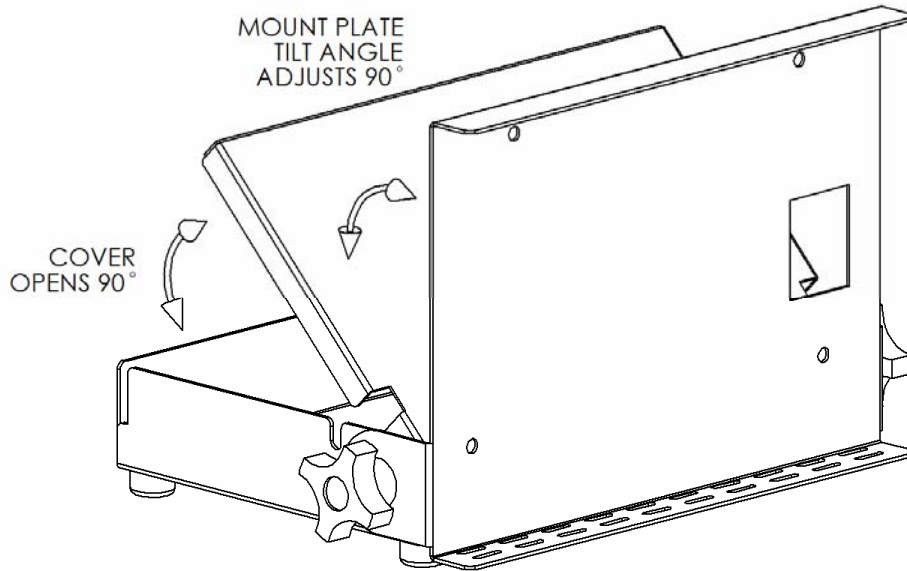
Countertop Mount for Partner Tech EM-200 touch screen terminal PN 80915



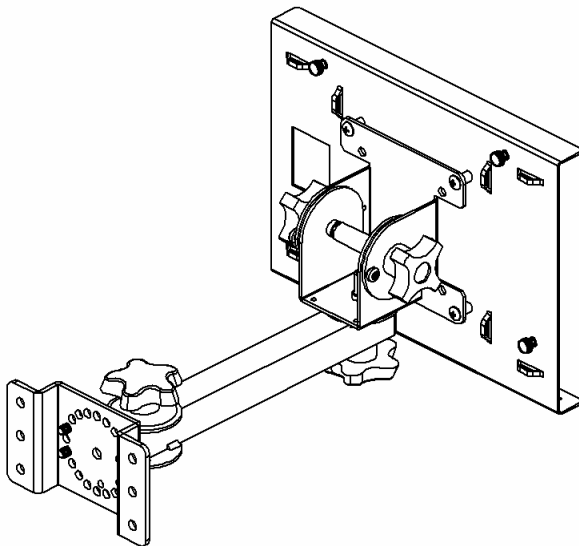
PRODUCT SPECIFICATIONS

- Supports a Partner Tech EM-200 touch screen terminals for countertop mounting.
- Threaded nut in base allows for mounting with any of our *UVHM* mounting products.
- Storage area in the base can accommodate the terminal's power supply, connectors and cabling.
- Cover keeps storage area enclosed and dry under normal working conditions.
- Cable access slots allow for convenient and concealable cable routing.
- Thumbscrews secure terminal to mounting plate for easy installation and removal.
- Adjustment knobs allow for easy tilt angle adjustment of mounting plate.

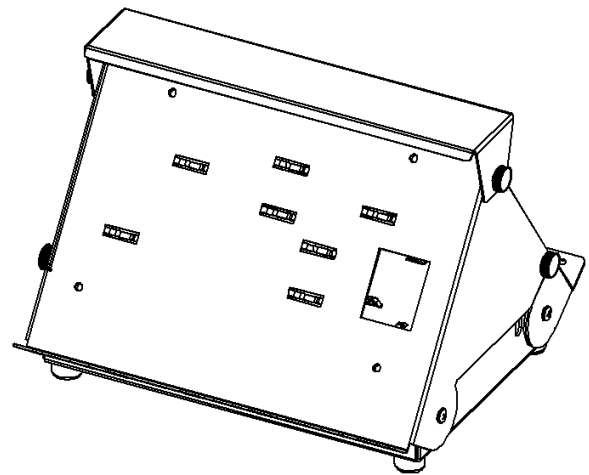
Countertop Mount for Partner Tech EM-200 touch screen terminal PN 80915



- For assembly instructions see the *User Manual* which can be downloaded from the *Product Resources* page on our website.
- This assembly can also be integrated to any of our *UVHM* mounting products to create a support solution for any mounting location.
- Also offered in a wall mount (See PN 80000-401) as well as a double-sided counter top mount (See PN 80918).



PN 80000-401



PN 80918

Countertop Mount for Partner Tech EM-200 touch screen terminal PN 80915

MOUNTING OPTIONS

- Custom Fit tilt heads can be used with any of the following mounting systems.

