



PRACTICAL QUALITY SYSTEMS
Fast Custom Manufacturing - Nationwide Installation Services

PRODUCT MANUAL BACK OF SCREEN CONTROLLER MOUNT-QSR

VESA compatible Back of Screen Controller Mount-QSR for a MICROS RDC and a QSR keypad / bump bar
PN 80502



TABLE OF CONTENTS

TABLE OF FIGURES	2
Installing the QSR bump bar below the front of the screen	3
Attaching a MICROS RDC controller or similar unit to the <i>Back of Screen Controller Mount-QSR</i>	3
Installing the assembled screen and <i>Back of Screen Controller Mount-QSR</i> with attached equipment to a <i>UVHM</i> arm	3

TABLE OF FIGURES

Figure 1 - <i>Back of Screen Controller Mount-QSR</i> shown with bump bar, monitor and restaurant display controller	4
--	---

Installing the QSR bump bar below the front of the screen

1. Place the monitor or touch screen with the screen facing down on a smooth flat surface and remove the VESA mounting screws from the back of the monitor. **PLEASE NOTE:** you may need to obtain longer screws and/or some small washers to connect the VESA pan and tilt head and the *Back of Screen Controller Mount-QSR* to the back of the screen.
2. If you are using a monitor speaker bar, install it to your screen before proceeding.
3. Place the QSR bump bar so that it is facing down, and the top of the bump bar is located directly against the bottom center of the screen.
4. Place the *Back of Screen Controller Mount-QSR* mounting plate on top of the center of the back of the screen and bump bar.
5. Align the four VESA mounting holes on the back of the screen with two of the slots on the *Back of Screen Controller Mount-QSR* mounting plate. Loosely insert two VESA mounting screws through the slots in the *Back of Screen Controller Mount-QSR* mounting plate and into the VESA mounting holes on the back of the screen.
6. Remove the two chassis screws from the top of the sides of the QSR bump bar. Align the two mounting slots in the *Back of Screen Controller Mount-QSR* plate with the holes on the top of the sides of the QSR bump bar and reinstall the chassis screws to secure the QSR bump bar to the mounting plate. Carefully remove the chassis screws on the top of the sides of the QSR bump bar and then re-install the screws through the mounting slots in the mounting plate.
7. Adjust the up and down position of the mounting plate to remove any unnecessary space between the bottom of the screen (the speaker bar, if applicable) and the QSR bump bar. Install the remaining two VESA screws through the VESA mount tilt head, the *Back of Screen Controller Mount-QSR* plate and into the back of the monitor. Carefully tighten all four VESA screws to secure the assembly.

Attaching a MICROS RDC controller or similar unit to the *Back of Screen Controller Mount-QSR*

1. Install the hook and loop strapping through the top slot of the *Back of Screen Controller Mount-QSR* bracket and around the back of the bracket to the first empty slot above the VESA pan and tilt head. In some cases, the controller unit can be installed directly against the pan and tilt head by routing the strapping around the roller within the middle of the back of the pan and tilt head, and around the strapping screw at the top of the back of the pan and tilt head.
2. Once the hook and loop strapping is installed through the slots in the *Back of Screen Controller Mount-QSR* mounting plate, place the controller unit so that the cable connections are oriented towards the sides of the *Back of Screen Controller Mount-QSR* bracket.
3. Pull the hook and loop strapping down snugly and then press the mating faces of the strapping firmly together to secure the controller unit to the *Back of Screen Controller Mount-QSR* mount.

Installing the assembled screen and *Back of Screen Controller Mount-QSR* with attached equipment to a *UVHM* arm

1. Verify that the VESA mounting screws are through the pan and tilt head, *Back of Screen Controller Mount-QSR* mounting plate and are secured to the back of the monitor.
2. Place an anti-slip washer on top of the single washer end of the *UVHM* arm. Carefully lift the screen with the *Back of Screen Controller Mount-QSR* assembly complete with the QSR bump bar, monitor

and VESA pan and tilt head. Align the hole in the end of the top of the arm with the threaded hole on the bottom of the VESA pan and tilt head. Install the five point knob through the bottom of the arm, through the anti slip washer, and into the threaded hole located in the bottom of the pan and tilt head. Tighten the five point knob snugly to remove excess free play between the pan and tilt head and the end of the arm.

3. Turn the screen so that you can access the cable connections on the sides of the controller unit and connect the associated cables for the power, touch screen, network data, bump bar, etc.
4. Rotate the completed assembly to the desired side to side position. Tighten the clamping knobs on the top of the *SB* (Stand Off) bracket at the mounting plate and at the bottom of the VESA pan and tilt head to secure those positions. Use the two clamping knobs on the sides of the VESA pan and tilt head to secure the monitor at the desired tilt position.

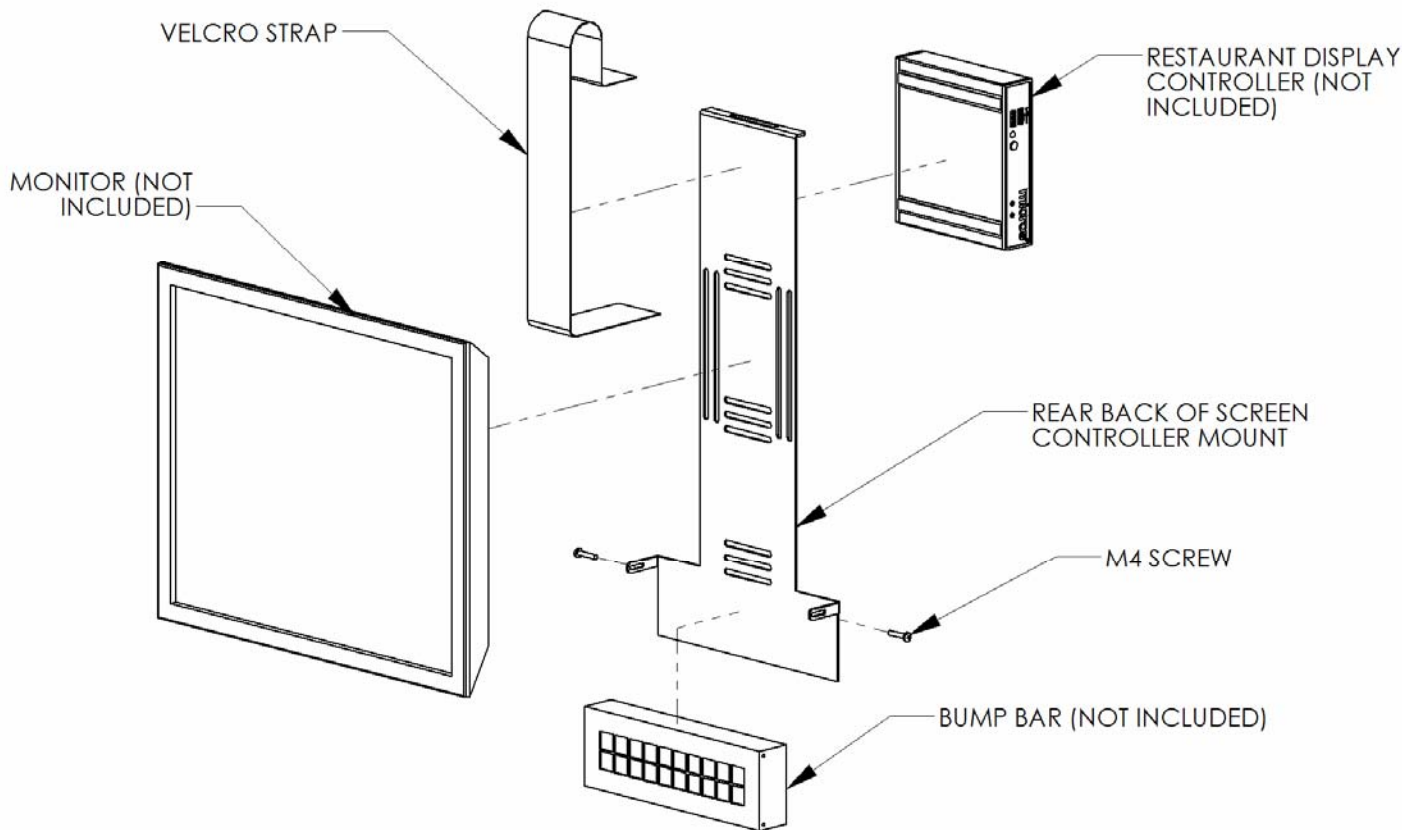


Figure 1 - Back of Screen Controller Mount-QSR shown with bump bar, monitor and restaurant display controller