



PRACTICAL QUALITY SYSTEMS
Fast Custom Manufacturing - Nationwide Installation Services

FLAT MOUNT MONITOR BRACKETS PRODUCT MANUAL

Wall Flat Mount Bracket 75/100 VESA

PN 80910

Wall Flat Mount Bracket 75/100 VESA (Stainless Steel)

PN 80910-SS

Multi Screen Wall Flat Mount Bracket 75/100 VESA

PN 80911

Wall Flat Mount Bracket 100/200 VESA

PN 80913


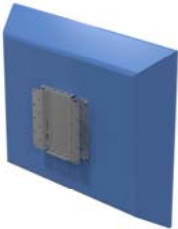

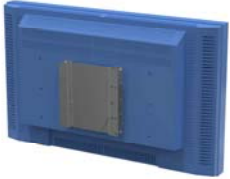
			
80910	80910-SS	80911	80913

TABLE OF CONTENTS

LIST OF FIGURES2

1.1 Basic Installation steps for *Wall Flat Mount Brackets* 80910, 80910-SS, 809133

2.1 Basic Installation steps for *Multi Screen Wall Flat Mount Bracket* PN 809113

LIST OF FIGURES

Figure 1 *Wall Flat Mount Bracket 75/100 VESA PN 80910 & 80910-SS*4

Figure 2 *Two Screen Flat Wall Mount 75/100 VESA PN 80911*5

Figure 3 *Flat Wall Mount Bracket 100/200 VESA PN 80913*6

1.1 Basic Installation steps for Wall *Flat Mount Brackets* 80910, 80910-SS, 80913

- 1.1.1. Two similar *Flat Mount Plates* assemble together to create a *Flat Mount Bracket*.
- 1.1.2. Take either the 75/100 or the 100/200 *Flat Mount Plates*.
- 1.1.3. Take one plate and place it so that the outer flaps lie flush on the back side of the monitor.
- 1.1.4. Orient the *Flat Mount Plate* so that the open end is facing down then line up the holes in the plate with the mounting holes on the back side of the monitor (see Figure 1)
- 1.1.5. Use the mounting screws provided by the monitor's manufacturer to attach the *Flat Mount Plate* to the monitor.
- 1.1.6. Take the other Flat Mount Plate and place it so that the outer flaps lie flush on the mounting surface with the open side facing directly up.
- 1.1.7. In order to assure a sturdy installation find a rigid structural member to bolt the Flat Mount Plate to.
- 1.1.8. Use up to 3/16" diameter screws to fix to wall.
- 1.1.9. Take the monitor with the *Flat Mount Plate* installed and assemble it to the *Flat Mount Plate* installed on the wall (see Figure 1).
- 1.1.10. Once assembled, take the 10-32 locking screw provided and thread it into the locking screw location as show in Figure 1 and lock the two plates together.

2.1 Basic Installation steps for *Multi Screen Wall Flat Mount Bracket* PN 80911

- 2.1.1 Place the *Multi Screen Monitor Mounting Bar* so that its large flat surface lays flush to the mounting surface. Orient it so that it is horizontal and level and so that the slots are on the top (see Figure 2).
- 2.1.2 In order to assure a sturdy installation find a rigid structural member to fasten the *Flat Mount Plate* to.
- 2.1.3 Once the *Mounting Bar* is in the desired location mark the location of the desired mounting holes to use and prep the holes.
- 2.1.4 Fasten the *Mounting Bar* to the mounting surface using any of the holes available.
- 2.1.5 Take one *Flat Mount Plate* and place it so that the outer flaps lie flush on the back side of the monitor.
- 2.1.6 Orient the *Flat Mount Plate* so that the open end is facing down then line up the holes in the plate with the mounting holes on the back side of the monitor (see Figure 2)
- 2.1.7 Use the mounting screws provided by the monitor's manufacturer to attach the *Flat Mount Plate* to the monitor.
- 2.1.8 Take the monitor with the *Flat Mount Plate* installed and assemble it to the *Mounting Bar*. Insert *Flat Mount Plate* through the openings on either side of the *Mounting Bar* (see Figure 2).
- 2.1.9 Once assembled take the 10-32 locking screws provided and thread it into the *Flat Mount Plate* through the slots in the *Mounting Bar* and lock in place.
- 2.1.10 Repeat these steps for the second monitor to be installed.

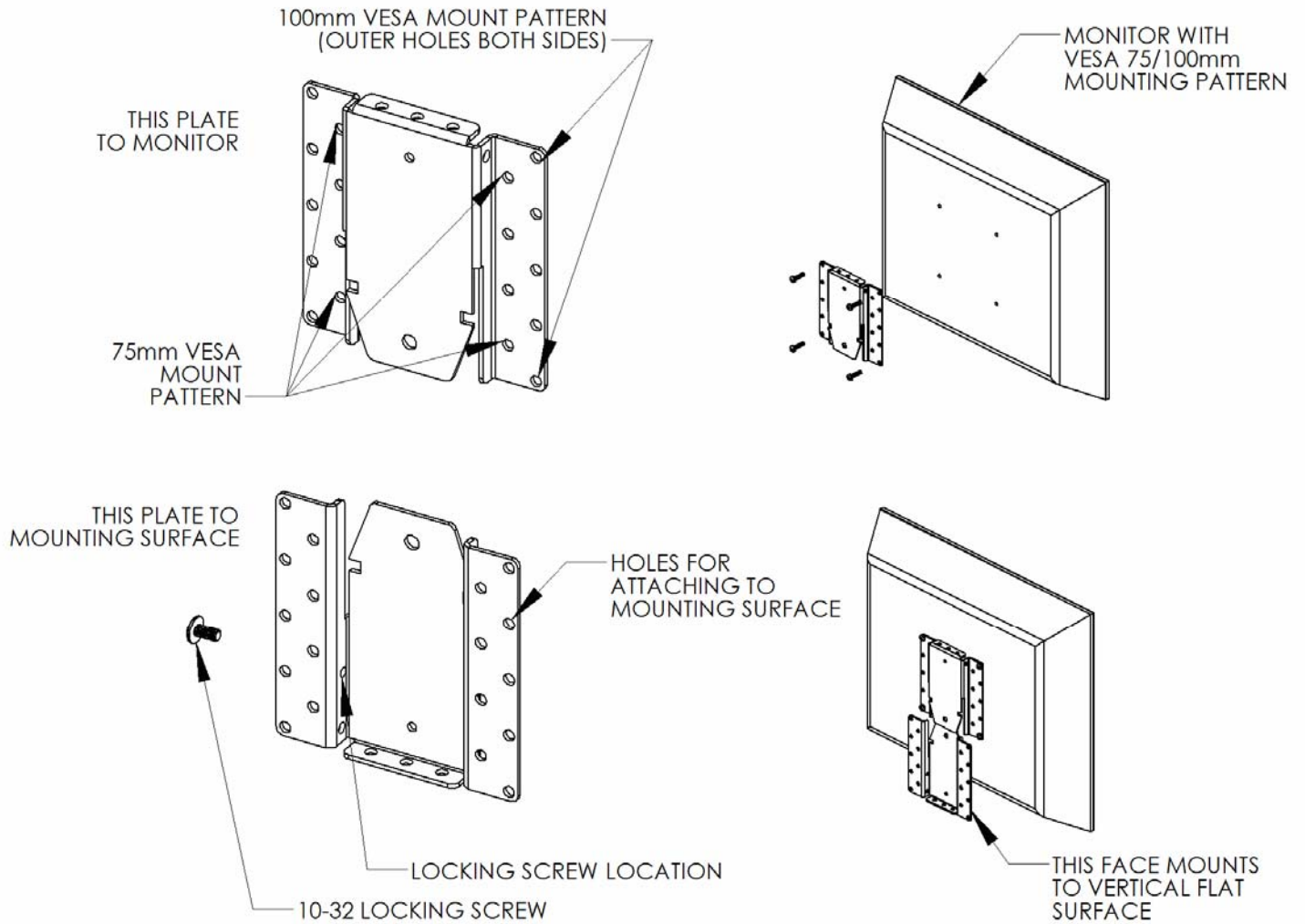


Figure 1 Wall Flat Mount Bracket 75/100 VESA PN 80910 & 80910-SS

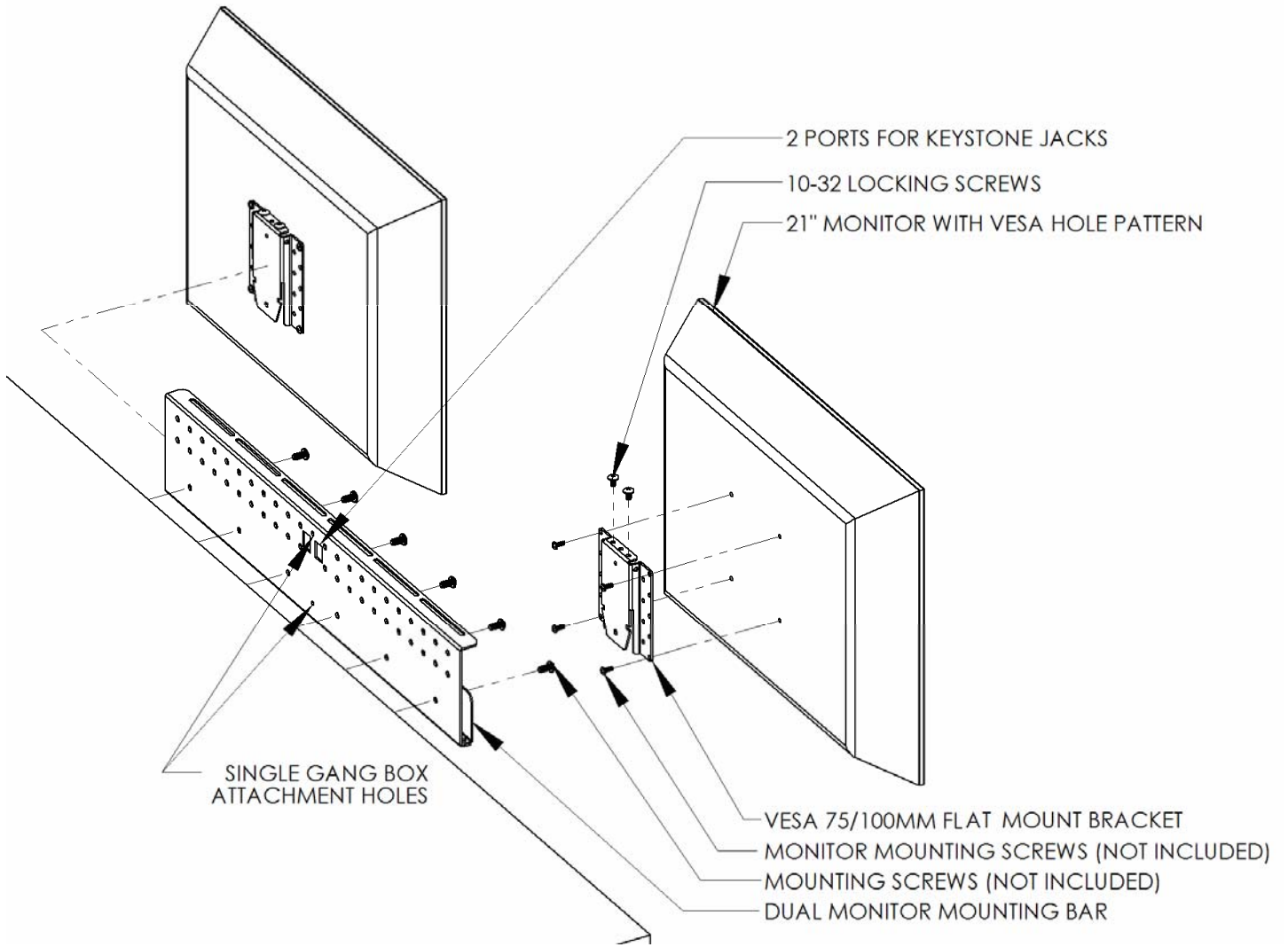


Figure 2 Two Screen Flat Wall Mount 75/100 VESA PN 80911

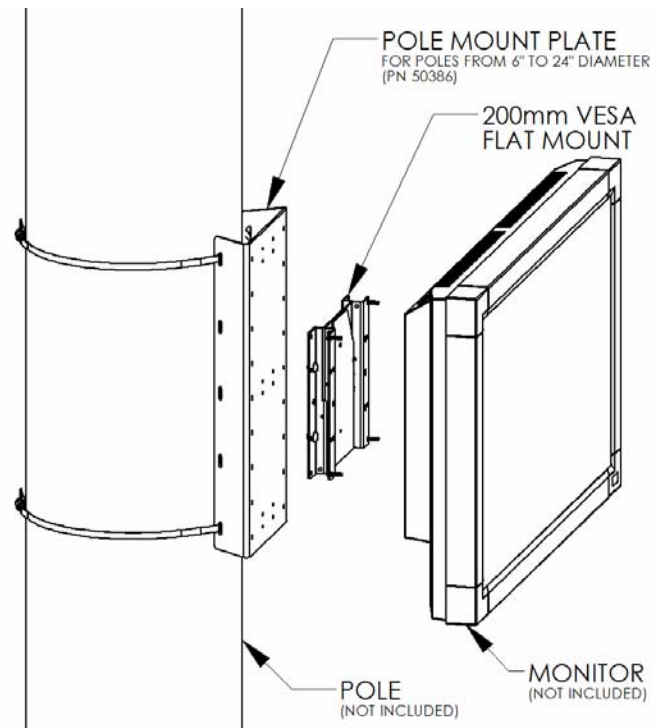
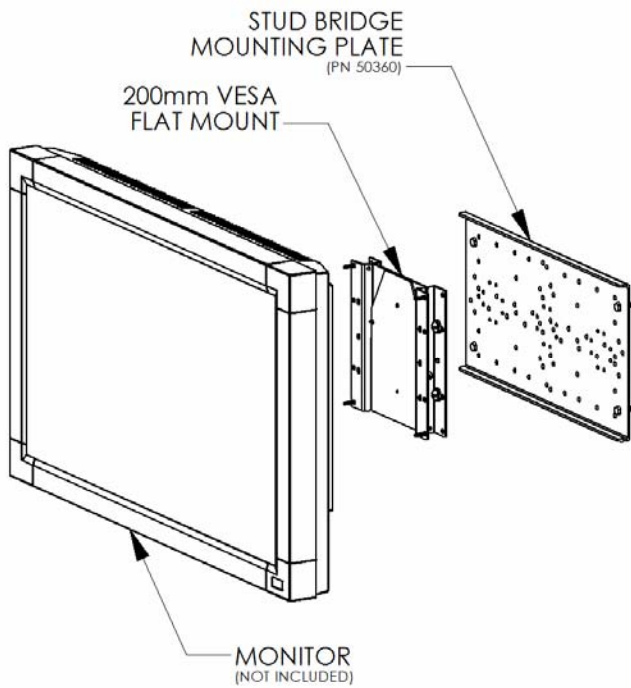


Figure 3 Flat Wall Mount Bracket 100/200 VESA PN 80913