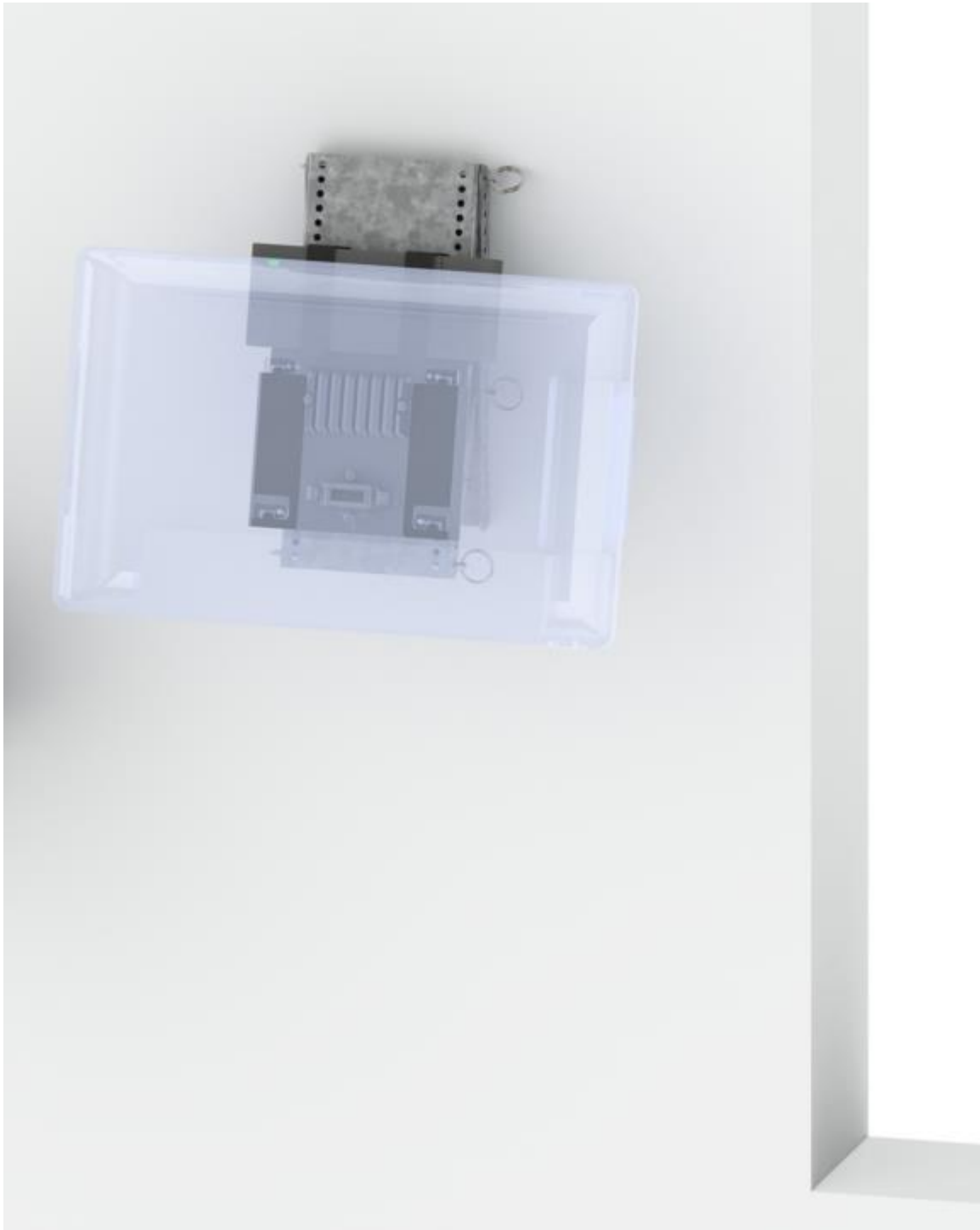
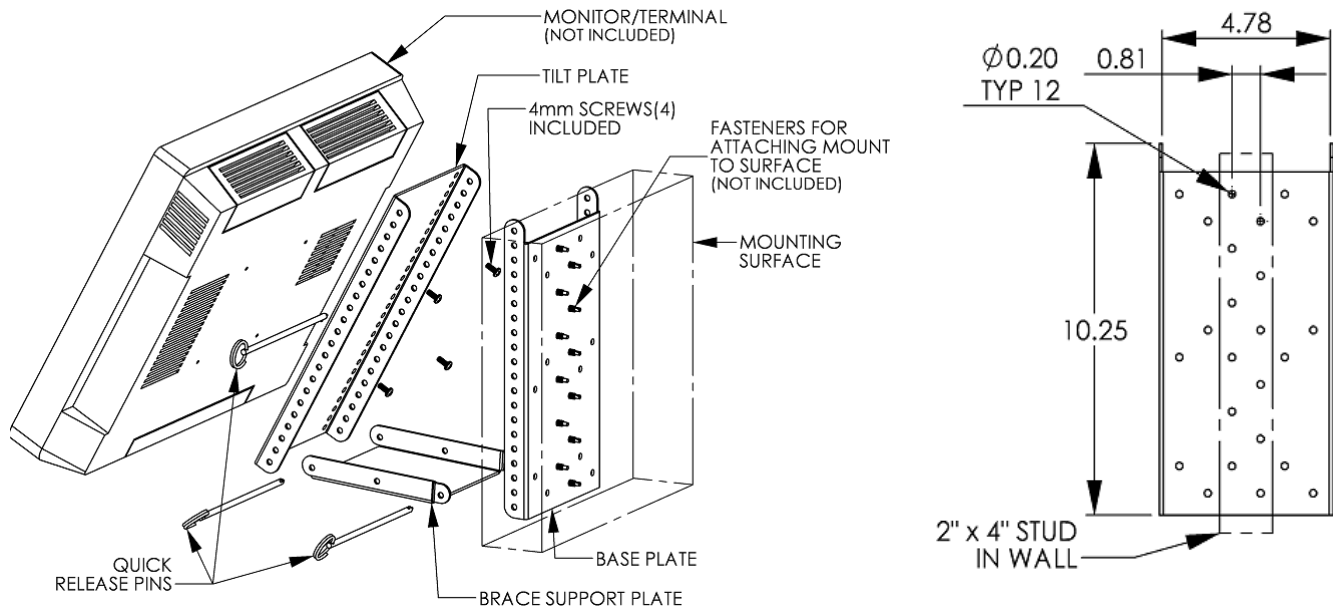


# PQS

## PRACTICAL QUALITY SYSTEMS

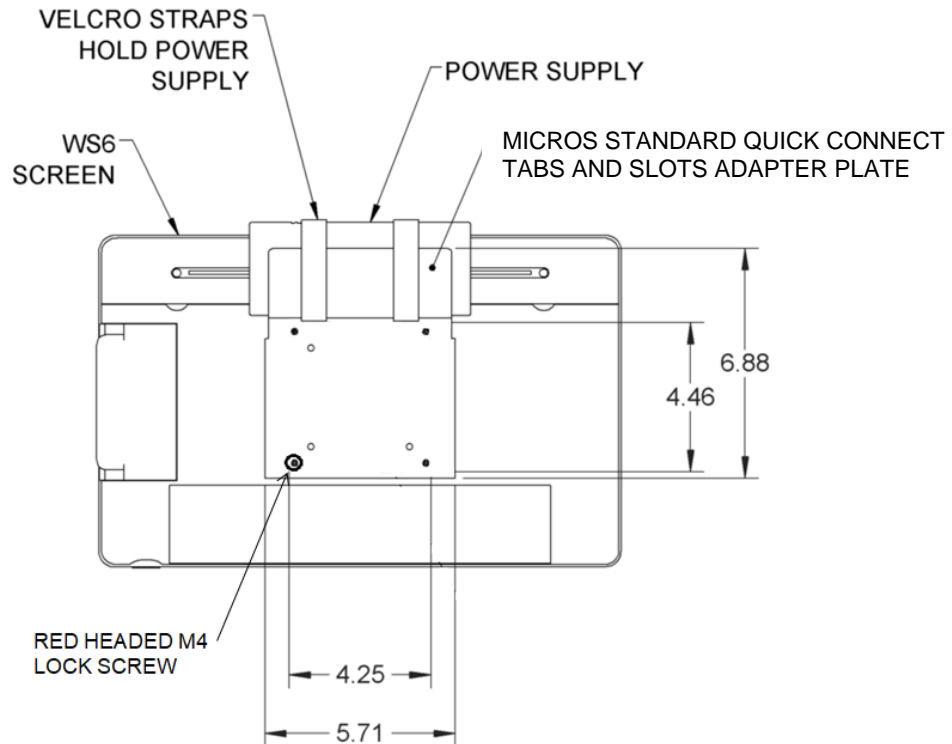
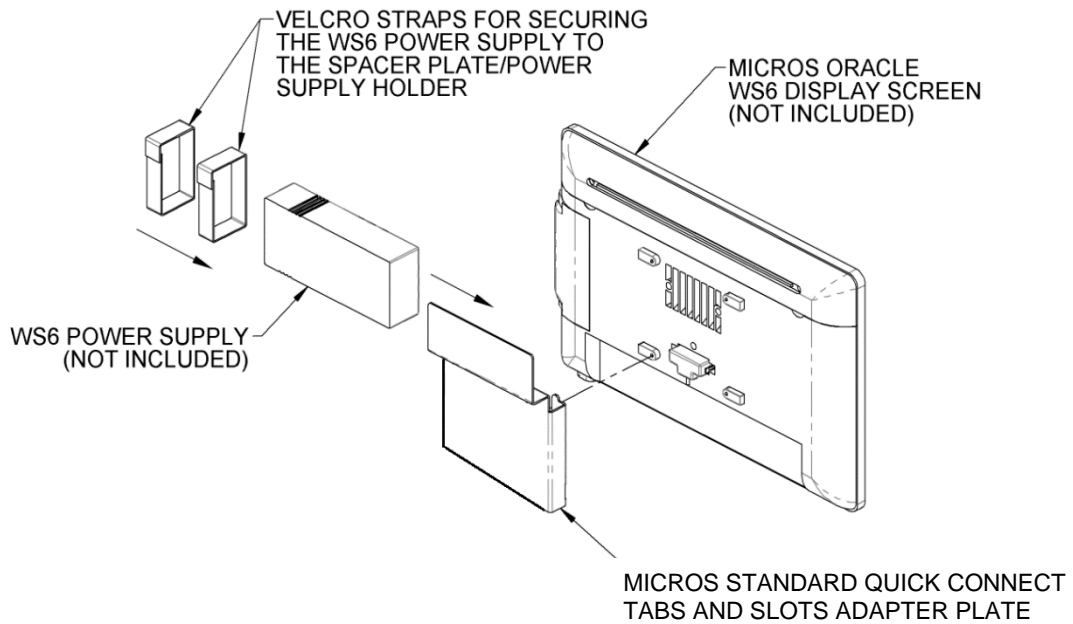
*Fast Custom Manufacturing - Nationwide Installation Services*





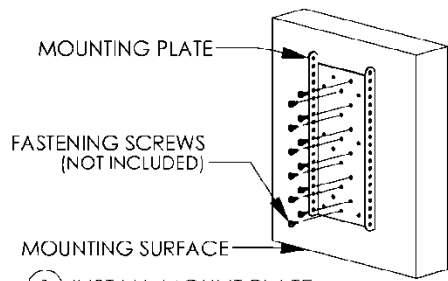
### General Features

- This wall mounts supports all Oracle MICROS terminals with the MICROS Quick Connect tabs and slots mounting standard for Point of Sale / POS, Kitchen Display Systems / KDS in commercial kitchens, retail, restaurants, offices, industry, shops, medical, maritime, schools, laboratory and many other applications.
- This assembly includes a 100 mm Universal VESA Tilt assembly that allows tool-less adjustment of the up and down tilt position of the screen.
- The Tilting Wall Mount hardware and bracket supports touch screens, terminals or flat panel monitors up to 35LBs.
- The Tilting Wall Mount attaches to any flat, horizontal or vertical surface and can be oriented and installed in multiple configurations either horizontally or vertically.
- Adjusts without tools to lock the screen at any position or up and down allowing for a wide range of screen locations.
- The Tilting Wall Mount is made of 14 gauge galvanized steel to resist harsh environments.
- Visit [kitchendisplaysystems.com](http://kitchendisplaysystems.com) for a free, easy to understand tutorial that covers all aspects of Kitchen Display Systems knowledge!
- For more information on the individual components included in this package please refer to the assembly sketches in this document and the downloadable product information sheets available on our website for each of the product pages for each part number.

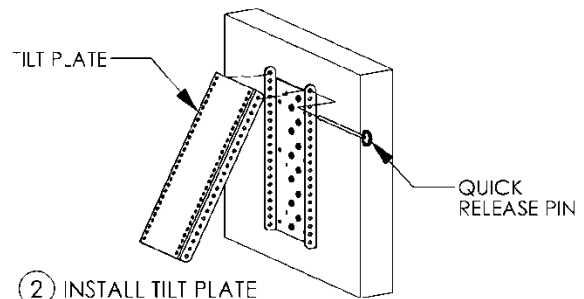


Install the Oracle MICROS External Power Supply PN 400351-038-PT or other model on the power supply holder and secure with the hook and loop straps.

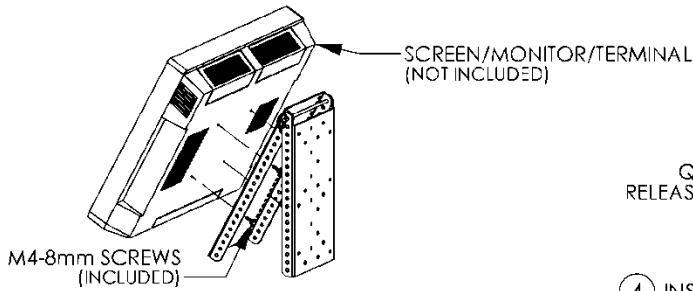
Once the four taps on the Micros compatible adapter plate are properly inserted into the four slots on the back of the terminal; tighten the red headed lock screw to secure the WS6 or other terminal to the adaptor plate.



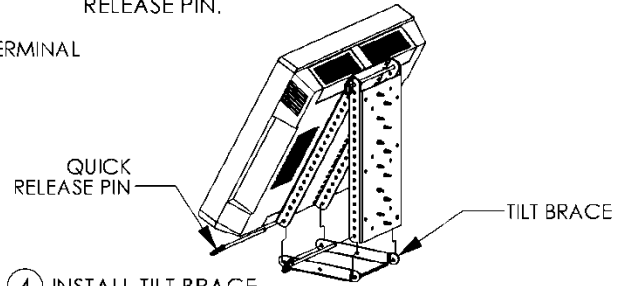
① INSTALL MOUNT PLATE  
USE APPROPRIATE FASTENERS TO SECURE  
MOUNT PLATE TO MOUNTING SURFACE.



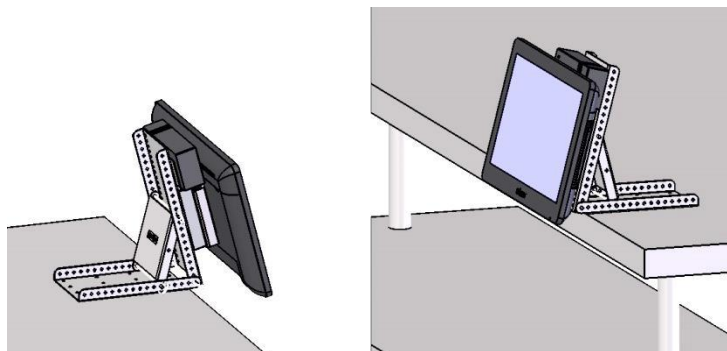
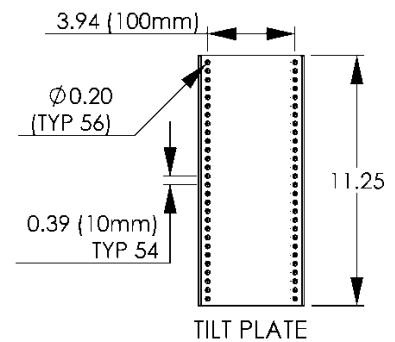
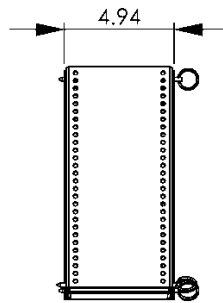
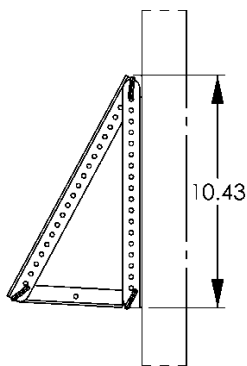
② INSTALL TILT PLATE  
ALIGN LOWER MOUNT HOLES IN TILT PLATE WITH  
HOLES IN MOUNT PLATE. SECURE WITH QUICK  
RELEASE PIN.



③ INSTALL SCREEN TO TILT PLATE  
CENTER THE BACK OF SCREEN ON THE TILT PLATE.  
RAISE/LOWER THE SCREEN TO DESIRED HEIGHT.  
ALIGN WITH THE HOLES IN THE TILT PLATE THAT MOST  
CLOSELY MATCH THE DESIRED MOUNT HEIGHT. USE  
SCREWS PROVIDED TO MOUNT SCREEN IN PLACE.



④ INSTALL TILT BRACE  
TILT SCREEN TO THE APPROXIMATE DESIRED POSITION.  
ORIENT TILT BRACE SO THAT THE WIDER END MATES TO THE  
MOUNT PLATE. ALIGN HOLES ON TILT BRACE WITH HOLES  
ON THE MOUNT & TILT PLATES THAT MOST CLOSELY  
MATCHES THE DESIRED TILT. SECURE IN PLACE WITH  
QUICK RELEASE PINS.



PN 80942-MICROS

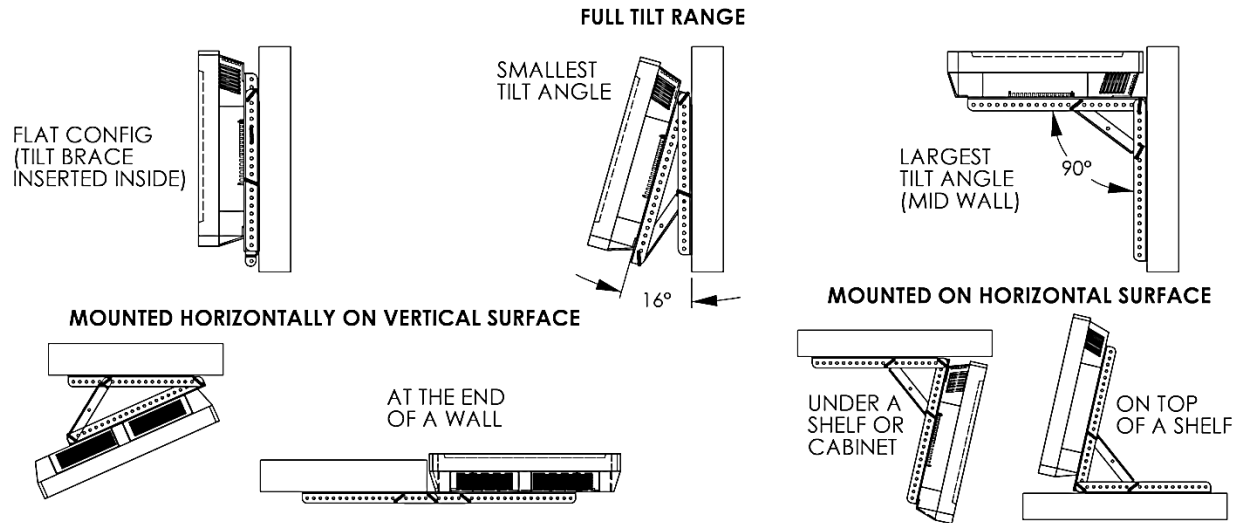


### **Installation Tips for Screen Mounting Systems**

1. 1 Installation of this assembly must be performed by qualified persons.
- 1.2 Use fasteners that are appropriate for the materials and structure of the mounting surface.

### **Tips for locating KDS or POS Screen Mounting Systems**

- 1.1 Care must be taken when locating KDS or POS Screens so that the display can be easily seen by the users (and in some cases touched); and also so that the screen does NOT block access to the pass through window or items such as ingredients, plates, microwaves, etc. that are located on the adjacent shelves.
- 1.2 As a general rule of thumb KDS and POS screens should be located to place the center of the display at, or just above, eye level.
- 1.3 Most KDS screens are supported by mounting systems that are attached directly to the edge of existing kitchen shelves above a production work station or expo area. POS Screens are most often attached to counter tops, Under counter, shelf edges or walls.
- 1.4 Conduct a careful survey of each POS station, Kitchen work station or expo area. Stand where the users will be standing at their work stations and consider all possible screen locations. Again ; the screens should be located where they are readily accessible; but also where they do not limit access to other important items in the work area.



**Below is a partial list of Oracle MICROS compatible Terminals that use the MICROS Quick Connect tabs and slots mounting standard:**

Oracle MICROS Workstation 625X.  
 Oracle MICROS Workstation 655X.  
 Oracle MICROS Workstation 6 POS Terminal.  
 Oracle MICROS Workstation 610.  
 Oracle MICROS Workstation 620.  
 Oracle MICROS Workstation 625.  
 Oracle MICROS Workstation 650.  
 Oracle MICROS Workstation 625.  
 Oracle MICROS Workstation 655.  
 Oracle MICROS Compact Workstation 310.  
 Oracle MICROS Express Station 4 Series.  
 Oracle MICROS Express Station 400.  
 Oracle MICROS Express Station 410.

**We believe in ethical SEO relevancy; the following section was included to assist the all-knowing algorithms in locating this page; however, some humans like it too.**

- MICROS Wall mount, MICROS Wall mounting bracket, MICROS Wall mount bracket, MICROS Terminal Wall mount, MICROS Terminal Wall mounting bracket, MICROS Terminal Wall mount bracket.
- MICROS Point of Sale terminal Wall mount, MICROS KDS Wall mount, MICROS KDS Wall mounting bracket, MICROS KDS Wall mount bracket, MICROS Kitchen Display System Wall mount.

**Interactive Catalog of Mounting Systems for Workstation 610, Compact 310 & Express Station 400**

These mounts are included in the [Mounting Systems for Workstation 610, Compact 310 & Express Station 400](#) product group pages on our website.

For more information; click on the images or descriptions to visit the individual product pages on our website. PDF Product Information Sheets are available at the Product Attachments tab on each product page.

[Practical Quality Systems Home Page](#)



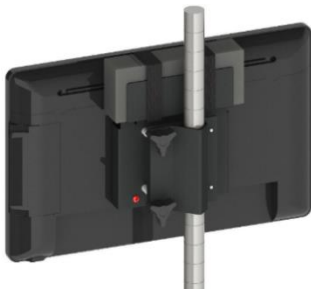
[PN 80000-MICROS - Wall Mount + adjustable 8" arm + WS6 Pan - Tilt Head + PS holder](#)



[PN 80005-MICROS - Wall Mount + 7 axis adjustable arm + WS6 biased Pan - Tilt Head + PS holder](#)



[PN 80016-MICROS - Clamping mount for a 1" dia. steel wire rack leg + stand off bracket + 8" arm + MICROS Oracle Workstation 6 Pan - Tilt Head](#)



[PN 80017-MICROS - Clamping mount for a 1" dia. steel wire rack leg + flat mount for an Oracle MICROS Workstation 6](#)



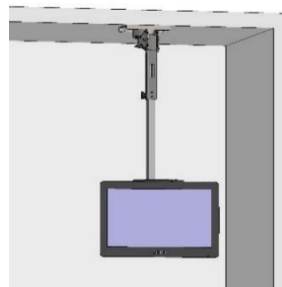
[PN 80050-MICROS - Wall Mount + adjustable 15" arm + WS6 biased Pan - Tilt Head + PS holder](#)



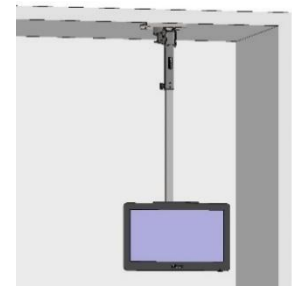
[PN 80053-MICROS - Wall Mount + 8" Arm + WS6 Pan - Tilt Head + Power Supply Holder](#)



[PN 80100-MICROS - Countertop Fixed Pedestal Mount + 6" Riser + WS6 Pan - Tilt Head + PS holder](#)



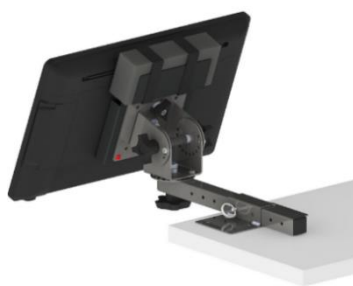
[PN 80104-2026-MICROS - 7 Axis Ceiling Mount + 20" Extendable Arm + Biased WS6 Pan - Tilt Head + PS holder](#)



[PN 80104-2632-MICROS - 7 Axis Ceiling Mount + 26" Extendable Arm + Biased WS6 Pan - Tilt Head + PS holder](#)



[PN 80104-MICROS - 7 Axis Ceiling Mount + Extendable Arm + Biased WS6 Pan - Tilt Head + PS holder](#)



[PN 80117-MICROS - Adjustable Arm Shelf Edge Mount + WS6 Pan - Tilt head + PS holder](#)



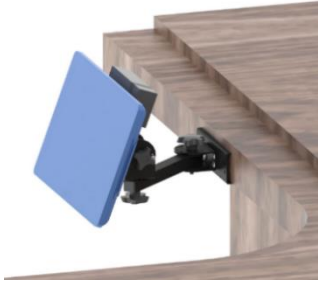
[PN 80140-MICROS - Low profile tilting mount + WS6 pan - tilt head](#)

**Interactive Catalog of Mounting Systems for Workstation 610, Compact 310 & Express Station 400**

These mounts are included in the [Mounting Systems for Workstation 610, Compact 310 & Express Station 400](#) product group pages on our website.

For more information; click on the images or descriptions to visit the individual product pages on our website. PDF Product Information Sheets are available at the Product Attachments tab on each product page.

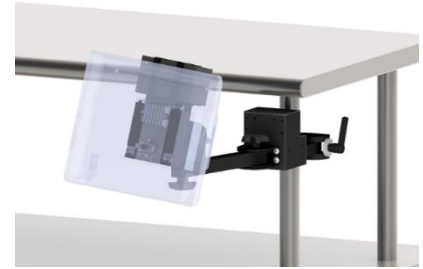
[Practical Quality Systems Home Page](#)



[PN 80200-MICROS - Under Counter Mount + adjustable 8" Arm + WS6 Pan - Tilt Head + PS holder](#)



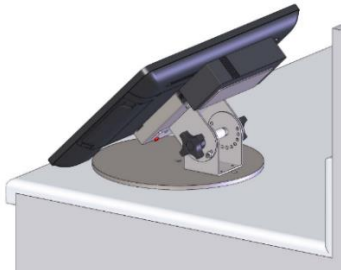
[PN 80270-MICROS - Quick Clamp Pole Mount + Riser + Arm + Oracle MICROS WorkStation 6 Pan - Tilt Head](#)



[PN 80273-MICROS - Quick Clamp Pole Mount + Arm + Oracle MICROS WorkStation 6 Pan - Tilt Head](#)



[PN 80277-MICROS - Quick Clamp Pole Mount + Flat Mount for Oracle MICROS WorkStation 6](#)



[PN 80622-MICROS - Countertop Movable Pedestal Mount + WS6 Pan - Tilt Head + PS holder](#)



[PN 80910-MICROS-Gal - Flat Wall Mount for WS6 + PS holder](#)



[PN 80914-MICROS-SS - Shelf Bridge WS6 Support System + PS holder](#)



[PN 80941-MICROS-SS - Tilting WS6 Shelf Edge Mount + PS holder](#)



[PN 80942-MICROS - Tilting Wall Mount for WS6 + PS holder](#)



[PN 80945-MICROS - Rear Marketing Display Mount for Oracle MICROS WS6](#)

**Interactive Catalog of Product Sub Groups**

There are many individual products included in the various product sub groups featured on these pages.

Click on the images or descriptions to visit the individual product sub group pages on our website.

For Information about individual products; click on the "Product Attachments" tab on each of the individual product pages.

[Practical Quality Systems Home Page](#)



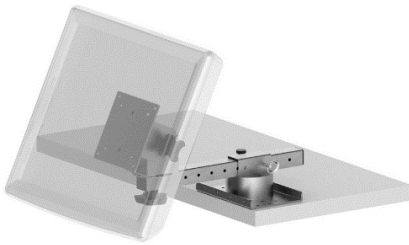
[Wall Mounts for Screens](#)



[Wall Mounts for POS Printers](#)



[Wall Mounts for Screens and POS Printers](#)



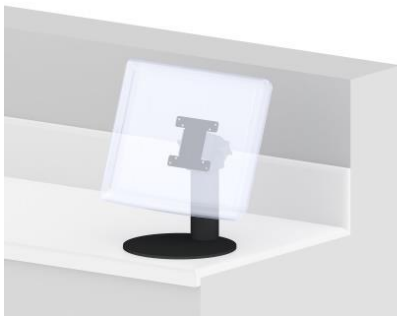
[Shelf Edge Mounts for Screens](#)



[Shelf Edge Mounts for POS Printers](#)



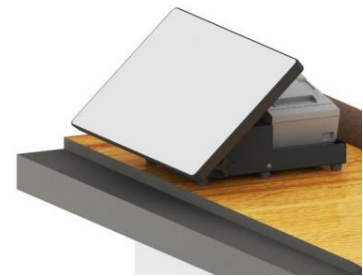
[Shelf Edge Mounts for Screens and POS Printers](#)



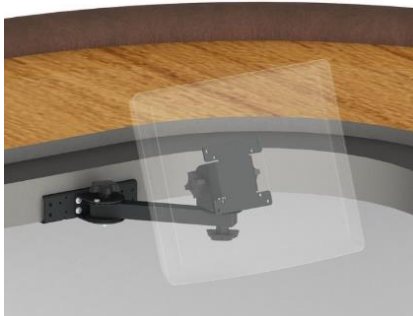
[Counter Top Mounts for Screens](#)



[Counter Top Mounts for POS Printers](#)



[Counter Top Mounts for Screens and POS Printers](#)



[Under Counter Mounts for Screens](#)



[Under Counter Mounts for POS Printers](#)



[Under Counter Mounts for Screens and POS Printers](#)

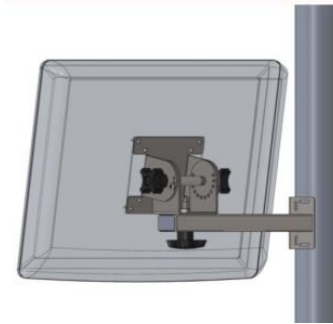
**Interactive Catalog of Product Sub Groups**

There are many individual products included in the various product sub groups featured on these pages.

Click on the images or descriptions to visit the individual product sub group pages on our website.

For Information about individual products; click on the "Product Attachments" tab on each of the individual product pages.

[Practical Quality Systems Home Page](#)



[Pole Mounts for Screens](#)



[Pole Mounts for POS Printers](#)



[Ceiling Mounts for Screens](#)



[Oracle MICROS Mounting Systems](#)



[NCR Aloha KDS Mounting Solutions](#)



[QSR KDS Mounting Solutions](#)



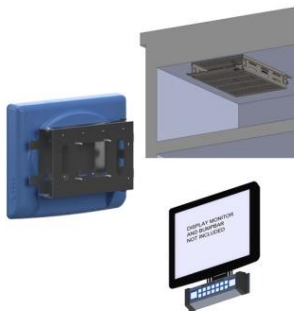
[Logic Controls Bematech KDS Mounting Solutions](#)



[Universal Kitchen Display System Mounting Packages](#)



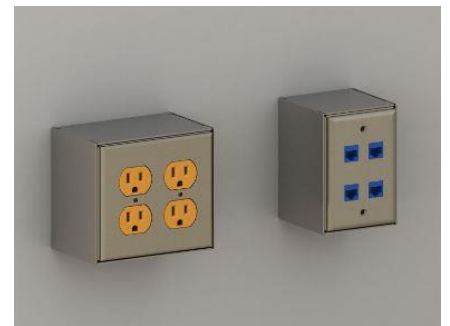
[Enclosures for Touchscreen, Monitors and Thin Clients](#)



[Back Of Screen VESA Mounts for Controllers, Thin Clients, Bump Bars, Tap+ Touch + EMV Readers](#)



[Stainless Steel Wireways](#)



[Stainless Steel Power and Data Outlet Monuments](#)

### Interactive Catalog of Product Sub Groups

There are many individual products included in the various product sub groups featured on these pages.

Click on the images or descriptions to visit the individual product sub group pages on our website.

For Information about individual products; click on the "Product Attachments" tab on each of the individual product pages.

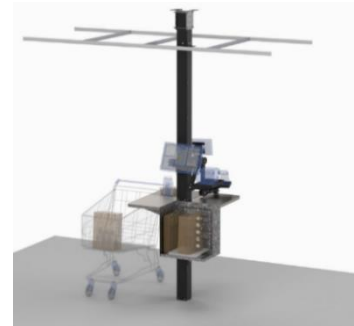
[Practical Quality Systems Home Page](#)



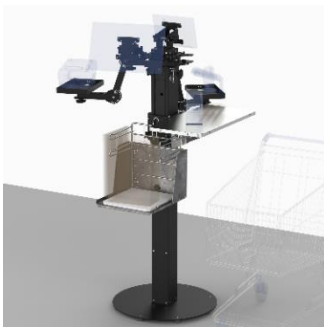
[Movable Countertop POS Stands](#)



[Direct Mount Countertop POS Stands](#)



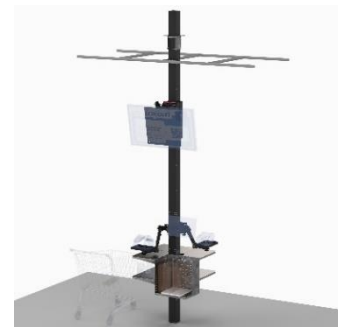
[POS Cashier Pole Stands](#)



[POS Cashier Floor Stands](#)



[POS Self-Check Out Kiosk Floor Stands](#)



[POS Self-Check Out Kiosk Pole Stands](#)



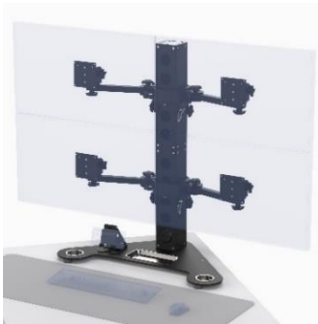
[Take Out Pickup Pole Stands](#)



[Take Out Pickup Floor Stands](#)



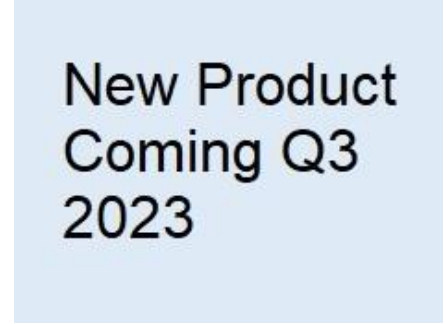
[Information Kiosk Floor Stands](#)



[Desktop Multi-Screen Pedestal Stands](#)



[4X4 Pole Clamp on Mounts](#)



[Mobile Cashier Stands](#)

### Interactive Catalog of Product Sub Groups

There are many individual products included in the various product sub groups featured on these pages.

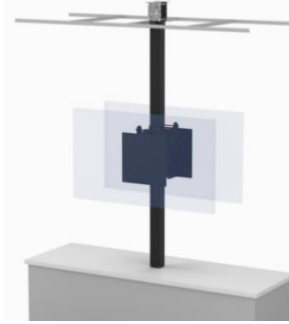
Click on the images or descriptions to visit the individual product sub group pages on our website.

For Information about individual products; click on the "Product Attachments" tab on each of the individual product pages.

[Practical Quality Systems Home Page](#)

New Product  
Coming Q3  
2023

Mobile Self-Check Out Stands



[Digital Signage Pole Stands](#)

New Product  
Coming Q3  
2023

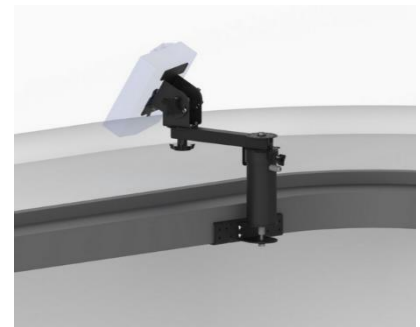
Stationary Podiums

New Product  
Coming Q3  
2023

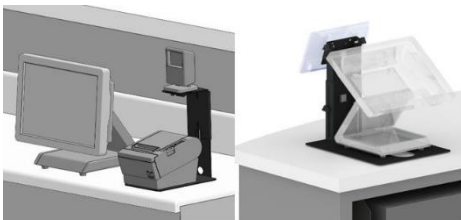
Stationary Podiums with Ceiling Feed Pole

New Product  
Coming Q3  
2023

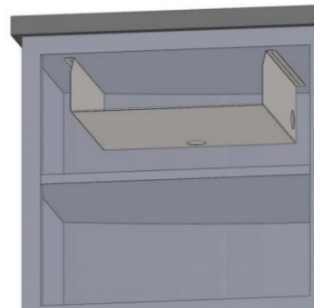
Mobile Podiums



[Ingenico Lane Reader Mounting Systems](#)



[Other Counter Top Mounts](#)



[Cash Drawer Mounting Solutions](#)