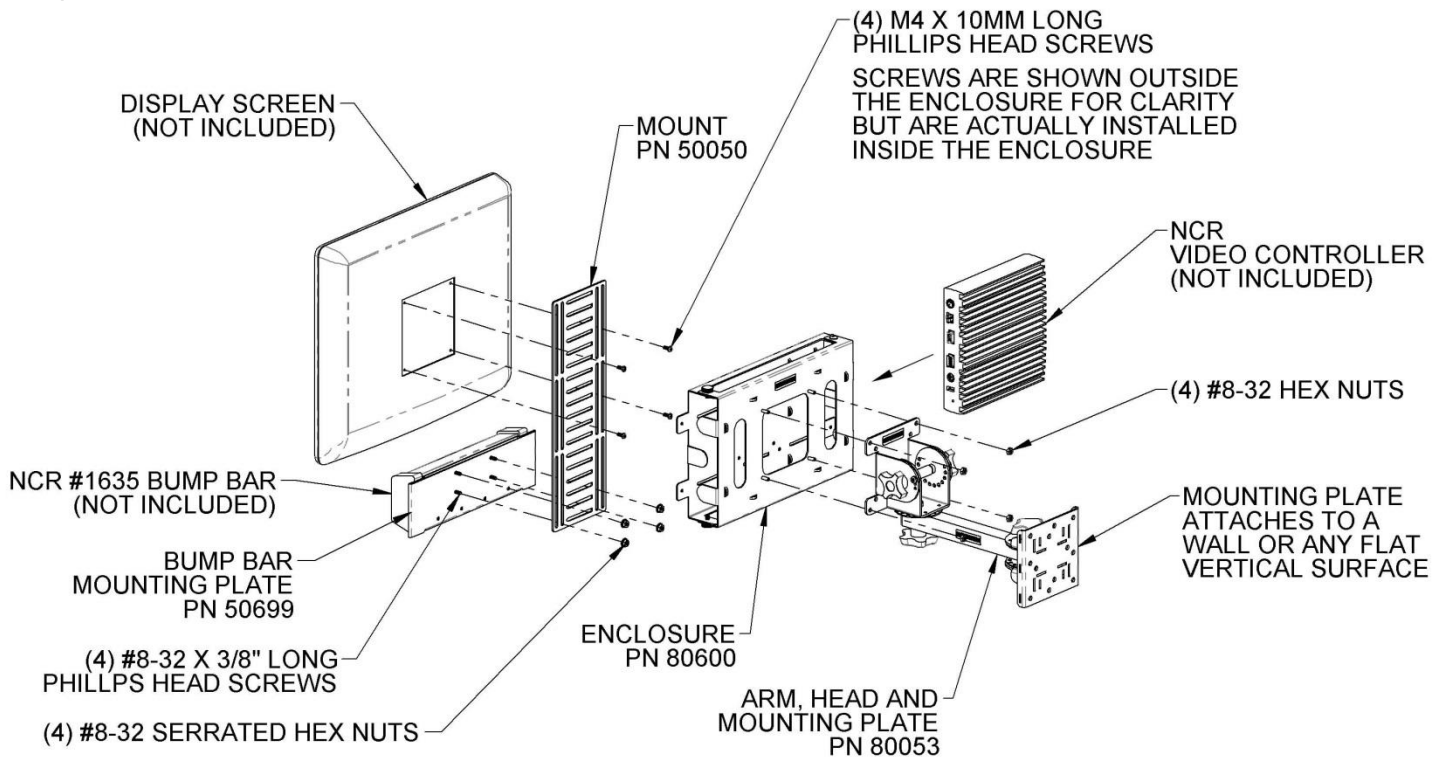


PQS

PRACTICAL QUALITY SYSTEMS
Fast Custom Manufacturing - Nationwide Installation Services



Screen, controller and bump bar are not included

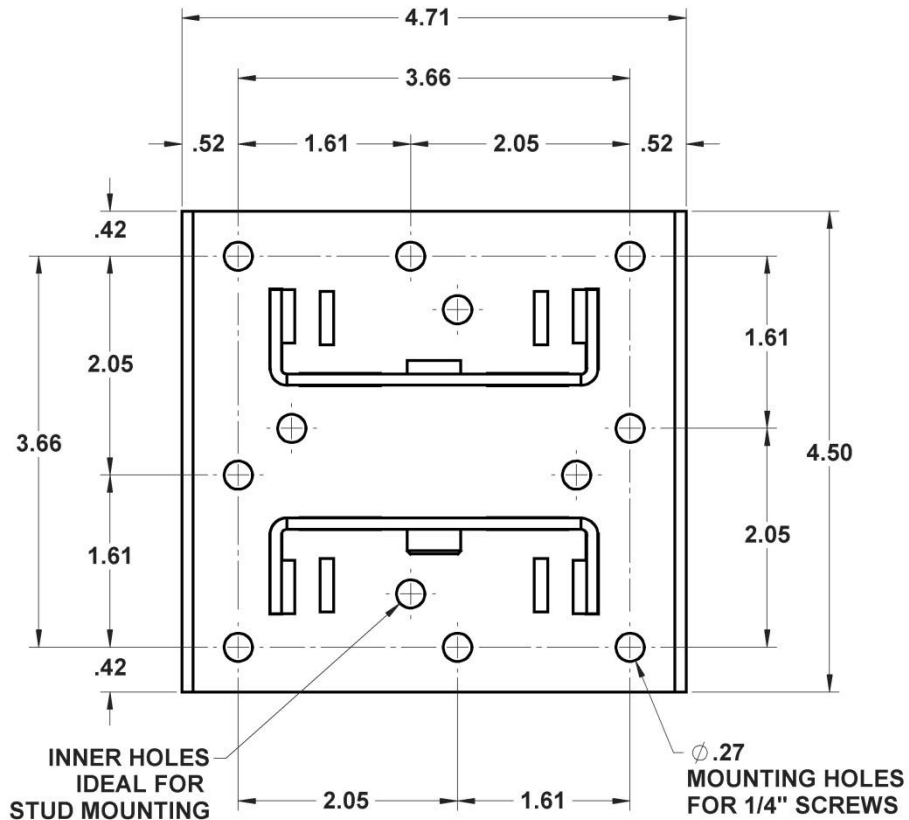
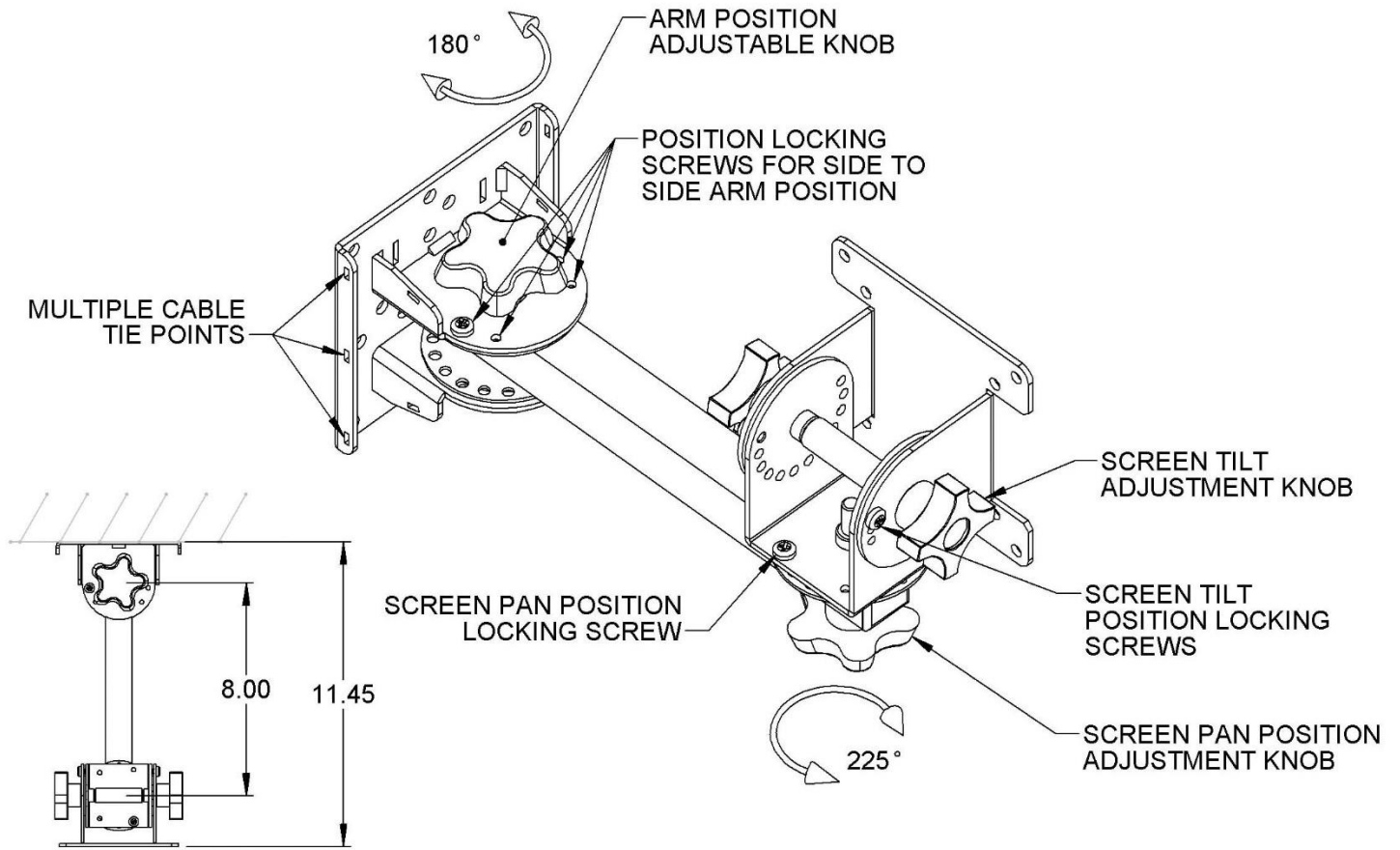


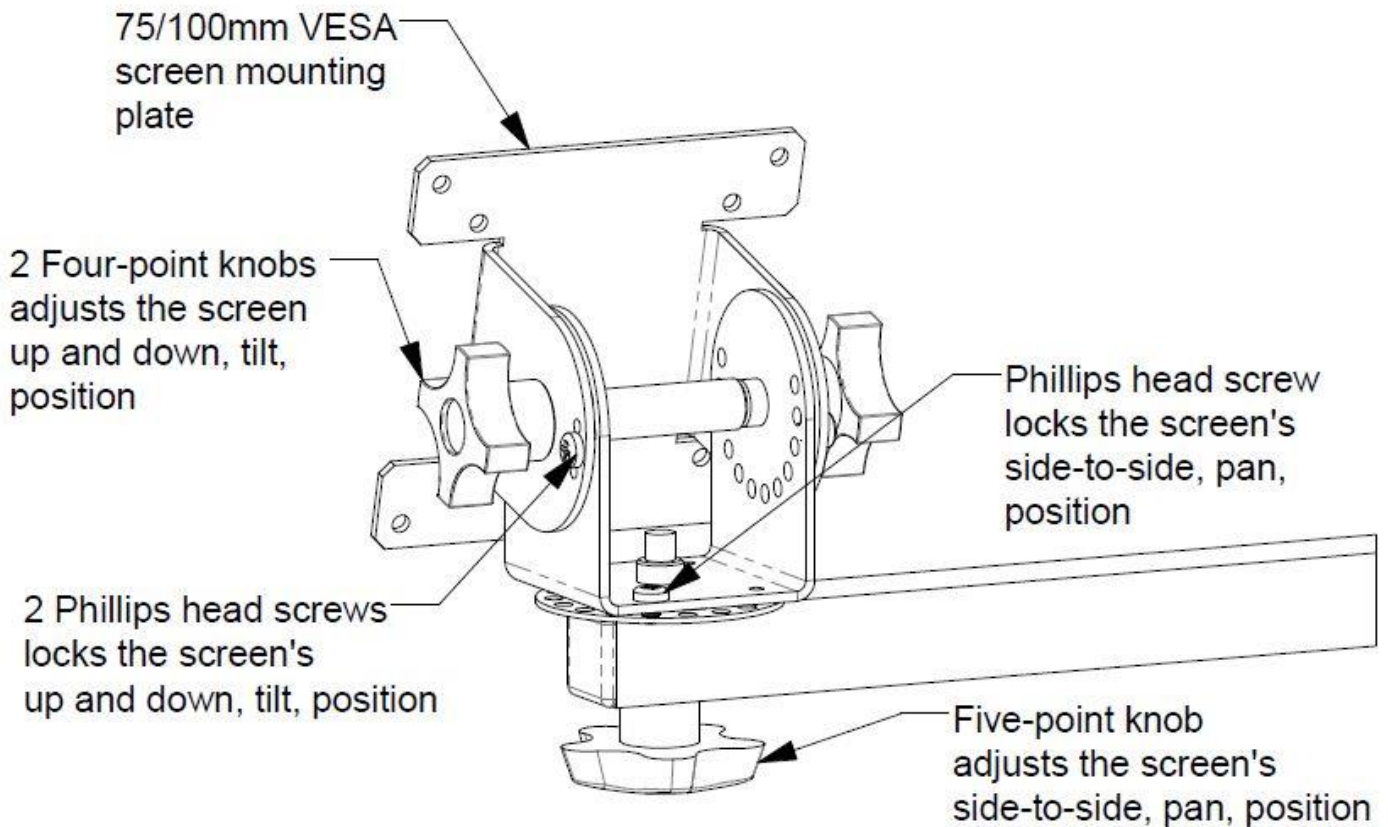
Included components and hardware

- (1) PN 80053
- (1) PN 80600-BLK
- (1) PN 50050
- (1) PN 50699
- (4) #8-32 X 3/8" long Phillips head screws (Bump Bar Mount)
- (4) #8-32 serrated flange hex nuts (Bump Bar Mount)
- (4) #8-32 hex nuts (Enclosure to Head)
- (4) M4 X 10MM long Philips head screws (Enclosure through Mount into Display Screen)

General Features

- Visit kitchendisplaysystems.com for an easy to understand tutorial that covers all aspects of Kitchen Display Systems knowledge!
- This mounting package includes the following individual product components which are also available separately: PN 80053, PN 80600-BLK, PN 80535 and PN 50699.
- For more information on the individual components included in this package please refer to the assembly sketches in this document and the downloadable product information sheets available on our website for each of the product pages for each part number.
- This mounting package supports any VESA compatible monitor, an NCR Aloha display controller or thin client and an NCR Aloha 1635 bump bar.
- The screen mounting assembly supports up to 25 pounds of equipment and attaches directly to a wall or other flat vertical surface.
- The screen mount included in this package allows for basic adjustments of the screen position. A similar package is offered with a fully articulated mount that allows for a much greater range of screen position adjustability.
- These mounting packages are designed to offer a simplified selection of the components needed to support your Kitchen Display System equipment.
- These packages of components are only a small sample of the many options that are available. Contact our sales team if you would like us to assemble a custom package for you.
- Purchasing these components as a package automatically qualifies for a discounted price over purchasing the same items separately. This discounted package price cannot be combined with any other discount programs.



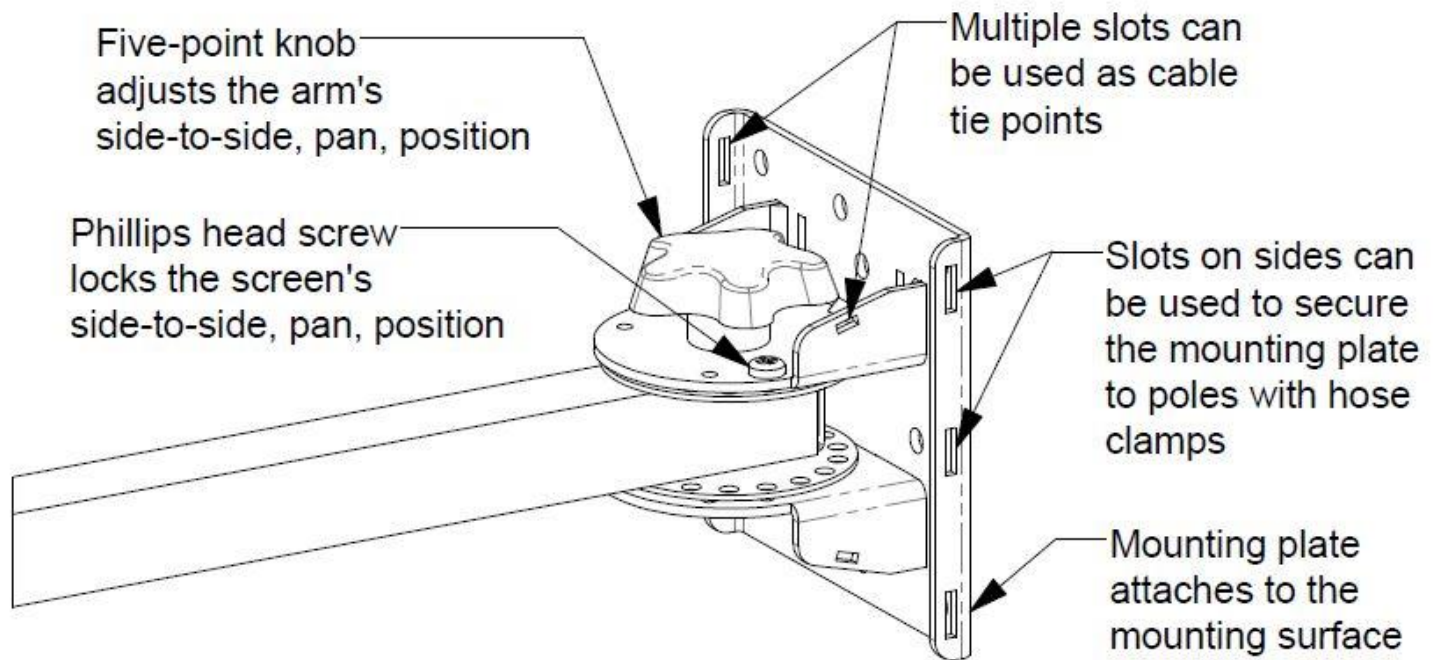


Standard VESA 75-100mm Pan and Tilt Head on an Adjustable Arm

- A universal mount that works with any 75mm or 100mm VESA compatible screen.
- Tightening the 2 four-point knobs applies variable clutching resistance to allow adjustment of the up and down tilt position of the screen. Tighten either of the two 10-32 Phillips head screws adjacent to the four-point knobs to permanently secure the tilt position.
- Tightening the five- point knob below the end of the Arm applies variable clutching resistance to allow adjustment of the side-to-side pan position of the screen.
- Tighten the 10-32 Phillips head screw on the lower Panning plate into one of the holes in the end of the arm to permanently secure the pan position.
- Includes 4 pieces of M4 Phillips head screws to attach the VESA mounting plate to the back of the screen.

Partial list of Compatible Touchscreen Monitors

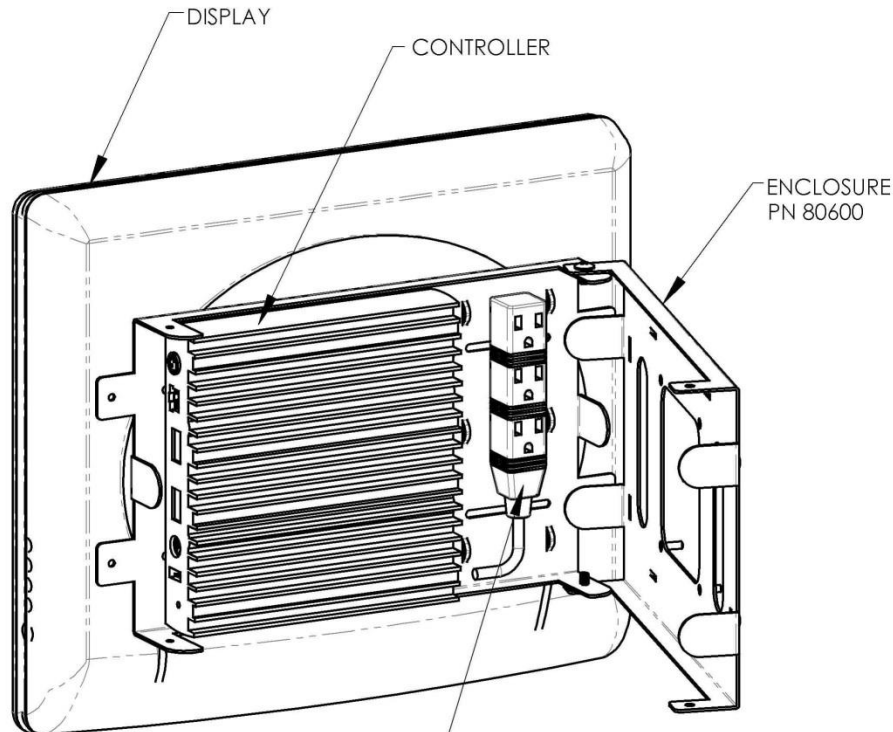
- elo Touchscreen Monitor 0702L, 1002L, 1302L, 1502L, 2002L, 2202L, 2201L, 2402L, 2702L, 1515L, 1517L, 1523L, 1715L, 1717L, 1723L, 1902L, 1915L.
- elo Touchscreen Monitor Medical Grade 1903LM, 2203LM 22", 2403LM 24", 2703LM 27".
- Viewsonic Touch screens TD3207, TD1630-3, TD2223, TD2230, TD2423, TD2430, TD2760.
- Beetratics Inc. touchscreens 7TS7M, 8TSV7M, 10TS7, 10TSV7M, 10TS7M, 12TS7, 12TSV7M, 12TS7M, 13TS7, 13TS7M, 15TS7, 15TSV7M, 15TS7M, 17TSV7M, 17TS7M, 19TSV7M, 19TS7M, 22TS7M, 24TS7M.
- Planar Touch Screen Monitors Helium PCT2265, PT2245PW, Helium PCT2235, PXL2230MW, PT1945P, PT1945R, PT1745P, PT1545P, PT1545R.



Single Position 25lb Wall Mounting Plate with Integral Standoff bracket and Arm

- The Single Position 25lb Wall Mounting Plate with Integral Standoff bracket supports one arm, allows side to side adjustment of the arm and attaches to any flat, smooth vertical surface.
- Attach the mounting plate to the Wall or other flat vertical surface with appropriate fasteners.
- Tightening the five- point knob on the top of the Standoff Bracket applies variable clutching resistance to allow adjustment of the side-to-side pan position of the Arm.
- To permanently lock the side-to-side pan position of the Arm; slightly loosen the 10-32 Phillips head screw on the top of the Standoff bracket, move the arm to the new desired permanent position, tighten the screw into one of the holes in the end of the arm to secure the new position.
- Note that the mounting plate includes slots along the side so that it can be attached to poles up to 36" in diameter with our optional strapping kit PN 80801 or any other compatible hose clamps.
- The mounting plate includes multiple slots for cable tie points.

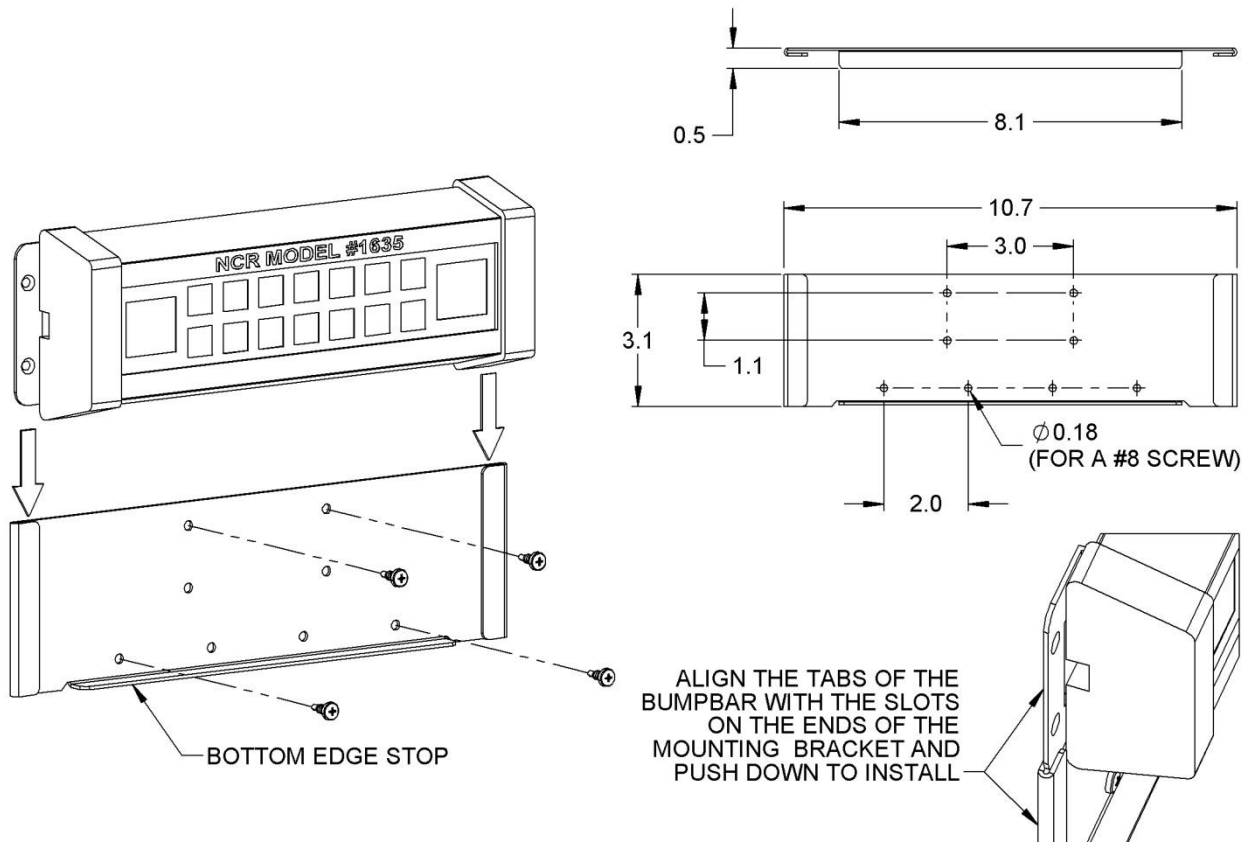
RECOMMENDED INSTALLATION SHOWN WITH A GENERIC CONTROLLER



INSTALL A THREE STRIP POWER OUTLET
WITH EXTENSION CORD
INSIDE THE ENCLOSURE TO REDUCE
CABLING AND PROVIDE POWER
FOR THE SCREEN AND CONTROLLER.

A partial list of compatible equipment

- Bematech Logic Controls LS8000-KP Kitchen Display System Controller, Logic Controls LS8900 KDS/Industrial Computer, Logic Controls LC8100 KDS/Industrial Computer, Logic Controls LS6100 Kitchen Controller , LC8810 KDS/Industrial Computer.
- LC8710 KDS/Industrial Computer, QSR Automations ePic Controller, QSR Automations xCeed Controller DE-4100, QSR Automations MP9, PAR EverServ, MICROS Oracle KP210, MICROS Oracle DT166, Aloha Radiant Systems Kitchen Display System Controller P823F001.
- NCR KC4 Kitchen Controller, DT Research SA166CR Signage Appliance, Touch Dynamic Saturn Atom PC , Touch Dynamic Razor PC, MicroPlus, Aldelo, PC America , SAM4s Kitchen Video Display System EPAD Controller.
- OnLogic Helix 600, Epson KD-IB01, Advantech UNO-247-J1N1AE, Advantech UNO-2484G, Advantech MIC-710A1 AI Inference System, HUNSN I5 4200U, Partaker, Gerui, Stealth LPC-915, Stealth WPC-905, Stealth LPC-490, Stealth LPC-490F , Stealth LPC-9.



We believe in ethical SEO relevancy; the following section was included to assist the all-knowing algorithms in locating this page; however, some humans like it too.

- VESA wall mount, VESA wall mounting bracket, VESA wall mount bracket, Screen wall mount, screen wall mounting bracket, screen wall mount bracket, monitor wall mount, monitor wall mounting bracket.
- Monitor wall mount bracket, POS terminal wall mount, POS terminal wall mounting bracket, POS terminal wall mount bracket, Point of Sale POS terminal wall mount, Point of Sale terminal wall mounting bracket.
- Point of Sale terminal wall mount bracket, KDS wall mount, KDS wall mounting bracket, KDS wall mount bracket, Kitchen Display System wall mount, Kitchen Display System wall mounting bracket. Kitchen Display System wall mount bracket, Kitchen production System wall mount, Kitchen Monitor wall mount.
- Kitchen video wall mount. Touchscreen wall mount, All in One PC wall mount, Healthcare monitor wall mount, Industrial process monitor wall mount, Kiosk wall mount, Office monitor wall mount, manufacturing process monitor wall mount.

More, yes more...

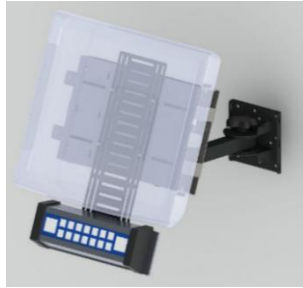
- Industrial computer Enclosure, Industrial computer VESA Mount, Industrial computer, Industrial computer Housing, industrial computer Mounting bracket, Industrial computer Monitor Mount, Thin client Housing.
- Thin client Enclosure, Mini PC Enclosure, Mini computer Enclosure, Mini computer Housing, Minicomputer Enclosure, Thin client VESA Mount, Mini PC VESA Mount, Mini PC Housing, Mini computer VESA Mount.
- Mini computer Housing, Minicomputer VESA Mount, Minicomputer Housing, thin client Mounting bracket, Mini PC Mounting bracket, Mini computer Mounting bracket, minicomputer Mounting bracket, Thin client Mount, Mini PC Mount.
- Mini computer Mount, minicomputer Mount, Thin client Monitor Mount, Mini PC Monitor Mount, Mini computer Monitor Mount, Minicomputer Monitor Mount, Thin client Mounting bracket, Mini PC Mounting bracket.
- Mini computer Mounting bracket, Minicomputer Mounting bracket, KDS controller Enclosure, KDS controller Housing, KDS controller VESA Mount, KDS controller Mounting bracket, KDS controller Mount, KDS controller Monitor Mount.
- Kitchen display System controller Enclosure, Kitchen display System controller Housing, Kitchen display System controller VESA Mount, Kitchen display System controller Mounting bracket, Kitchen display System controller Mount.
- Kitchen display System controller Monitor Mount, LITTLEPCS Enclosure, LITTLEPCS Housing, LITTLEPCS VESA Mount, LITTLEPCS Mounting bracket, LITTLEPCS Mount, LITTLEPCS Monitor Mount, Small Form Factor PCs Enclosure.
- Small Form Factor PCs Housing, Small Form Factor PCs VESA Mount, Small Form Factor PCs Mounting bracket, Small Form Factor PCs Mount, Small Form Factor PCs Monitor Mount.



Interactive Catalog of NCR Aloha KDS Mounting Solutions

These mounts are included in the "[NCR Aloha KDS Mounting Solutions](#)" product group pages on our website. For more information; click on the images or descriptions to visit the individual product pages on our website. PDF Product Information Sheets are available at the Product Attachments tab on each product page.

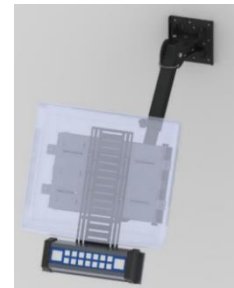
[Practical Quality Systems Home Page](#)



[PN 90180-NCR - Basic Wall Mount KDS Support Package for any VESA Monitor + NCR Aloha Controller + NCR Aloha #1635 Bump Bar](#)



[PN 90181-NCR - Basic Wall Mount KDS Support Package for an Elo Touchscreen + NCR Aloha Controller](#)



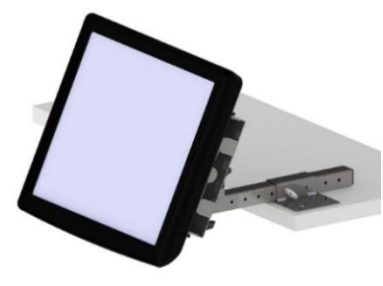
[PN 90190-NCR - Fully Articulated Wall Mount KDS Support Package for any VESA Monitor + NCR Aloha Controller + NCR Aloha #1635 Bump Bar](#)



[PN 90191-NCR - Fully Articulated Wall Mount KDS Support Package for an Elo Touchscreen + NCR Aloha Controller](#)



[PN 90200-NCR - Basic Shelf Edge KDS Support Package for any VESA Monitor + NCR Aloha Controller + NCR Aloha #1635 Bump Bar](#)



[PN 90201-NCR - Basic Shelf Edge KDS Support Package for an Elo Touchscreen + NCR Aloha Controller](#)



[PN 90210-NCR - Fully Articulated Shelf Edge KDS Support Package for any VESA Monitor + NCR Aloha Controller + NCR Aloha #1635 Bump Bar](#)



[PN 90211-NCR - Fully Articulated Shelf Edge KDS Support Package for an Elo Touchscreen + NCR Aloha Controller](#)

Interactive Catalog of Product Sub Groups

There are many individual products included in the various product sub groups featured on these pages.

Click on the images or descriptions to visit the individual product sub group pages on our website.

For Information about individual products; click on the "Product Attachments" tab on each of the individual product pages.

[Practical Quality Systems Home Page](#)



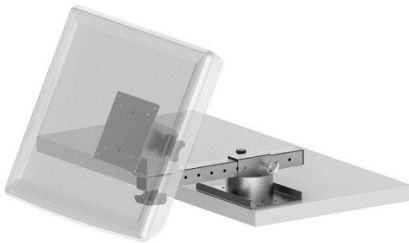
[Wall Mounts for Screens](#)



[Wall Mounts for POS Printers](#)



[Wall Mounts for Screens and POS Printers](#)



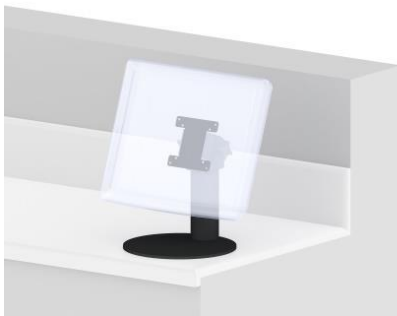
[Shelf Edge Mounts for Screens](#)



[Shelf Edge Mounts for POS Printers](#)



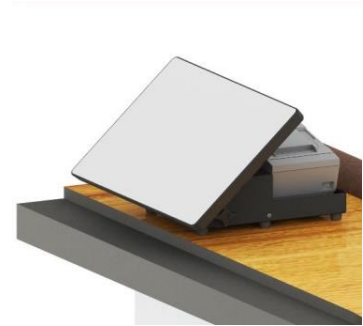
[Shelf Edge Mounts for Screens and POS Printers](#)



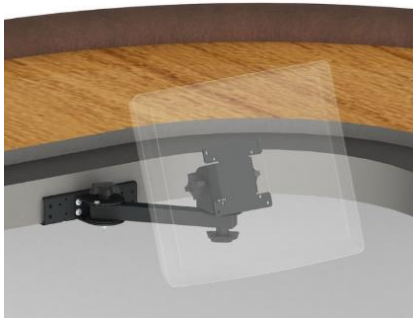
[Counter Top Mounts for Screens](#)



[Counter Top Mounts for POS Printers](#)



[Counter Top Mounts for Screens and POS Printers](#)



[Under Counter Mounts for Screens](#)



[Under Counter Mounts for POS Printers](#)



[Under Counter Mounts for Screens and POS Printers](#)

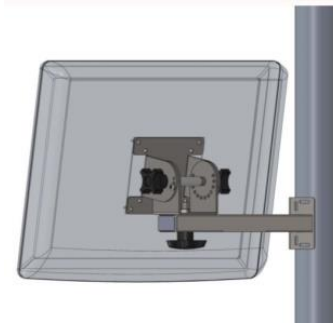
Interactive Catalog of Product Sub Groups

There are many individual products included in the various product sub groups featured on these pages.

Click on the images or descriptions to visit the individual product sub group pages on our website.

For Information about individual products; click on the "Product Attachments" tab on each of the individual product pages.

[Practical Quality Systems Home Page](#)



[Pole Mounts for Screens](#)



[Pole Mounts for POS Printers](#)



[Ceiling Mounts for Screens](#)



[Oracle MICROS Mounting Systems](#)



[NCR Aloha KDS Mounting Solutions](#)



[QSR KDS Mounting Solutions](#)



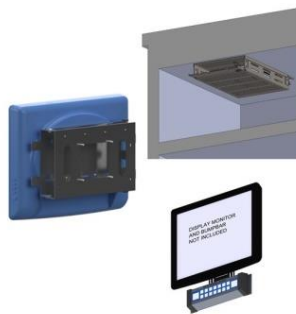
[Logic Controls Bematech KDS Mounting Solutions](#)



[Universal Kitchen Display System Mounting Packages](#)



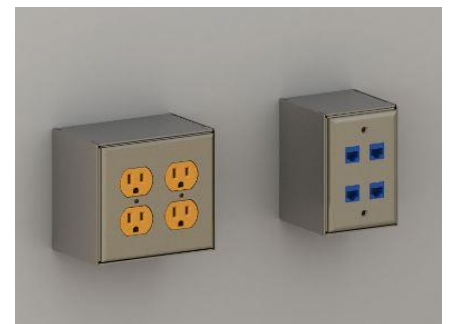
[Enclosures for Touchscreen, Monitors and Thin Clients](#)



[Back Of Screen VESA Mounts for Controllers, Thin Clients, Bump Bars, Tap+ Touch + EMV Readers](#)



[Stainless Steel Wireways](#)



[Stainless Steel Power and Data Outlet Monuments](#)

Interactive Catalog of Product Sub Groups

There are many individual products included in the various product sub groups featured on these pages.

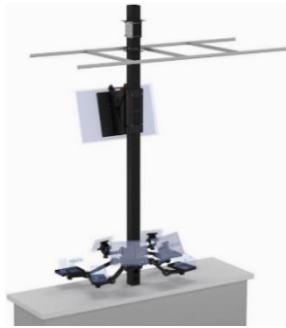
Click on the images or descriptions to visit the individual product sub group pages on our website.

For Information about individual products; click on the "Product Attachments" tab on each of the individual product pages.

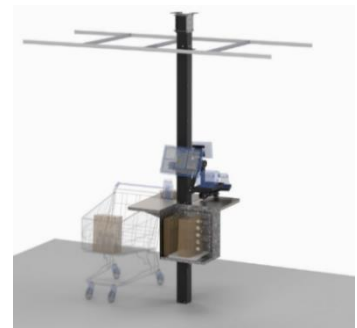
[Practical Quality Systems Home Page](#)



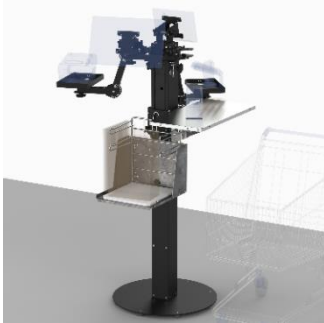
[Movable Countertop POS Stands](#)



[Direct Mount Countertop POS Stands](#)



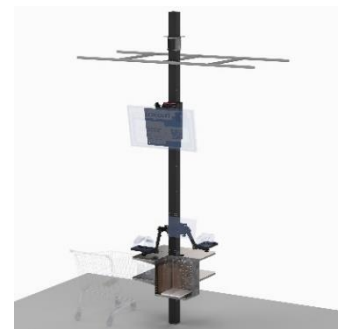
[POS Cashier Pole Stands](#)



[POS Cashier Floor Stands](#)



[POS Self-Check Out Kiosk Floor Stands](#)



[POS Self-Check Out Kiosk Pole Stands](#)



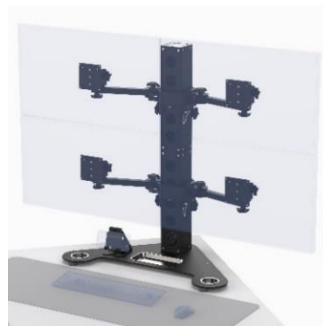
[Take Out Pickup Pole Stands](#)



[Take Out Pickup Floor Stands](#)



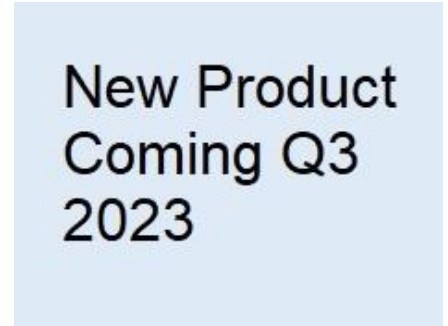
[Information Kiosk Floor Stands](#)



[Desktop Multi-Screen Pedestal Stands](#)



[4X4 Pole Clamp on Mounts](#)



[Mobile Cashier Stands](#)

Interactive Catalog of Product Sub Groups

There are many individual products included in the various product sub groups featured on these pages.

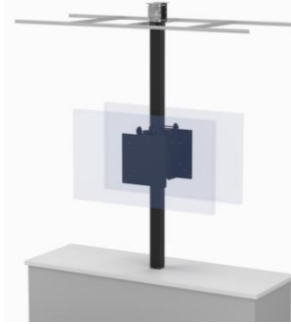
Click on the images or descriptions to visit the individual product sub group pages on our website.

For Information about individual products; click on the "Product Attachments" tab on each of the individual product pages.

[Practical Quality Systems Home Page](#)

New Product
Coming Q3
2023

Mobile Self-Check Out Stands



[Digital Signage Pole Stands](#)

New Product
Coming Q3
2023

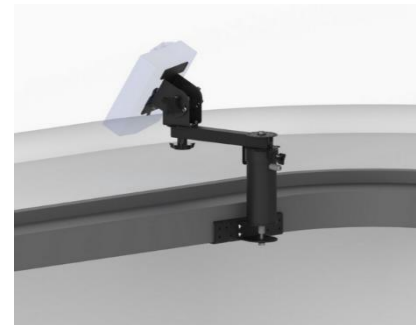
Stationary Podiums

New Product
Coming Q3
2023

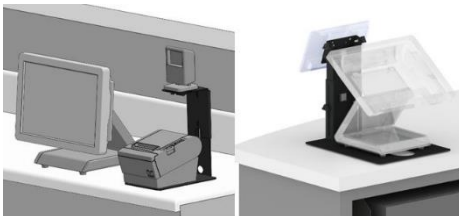
Stationary Podiums with Ceiling Feed Pole

New Product
Coming Q3
2023

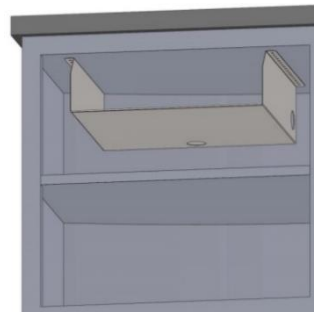
Mobile Podiums



[Ingenico Lane Reader Mounting Systems](#)



[Other Counter Top Mounts](#)



[Cash Drawer Mounting Solutions](#)