

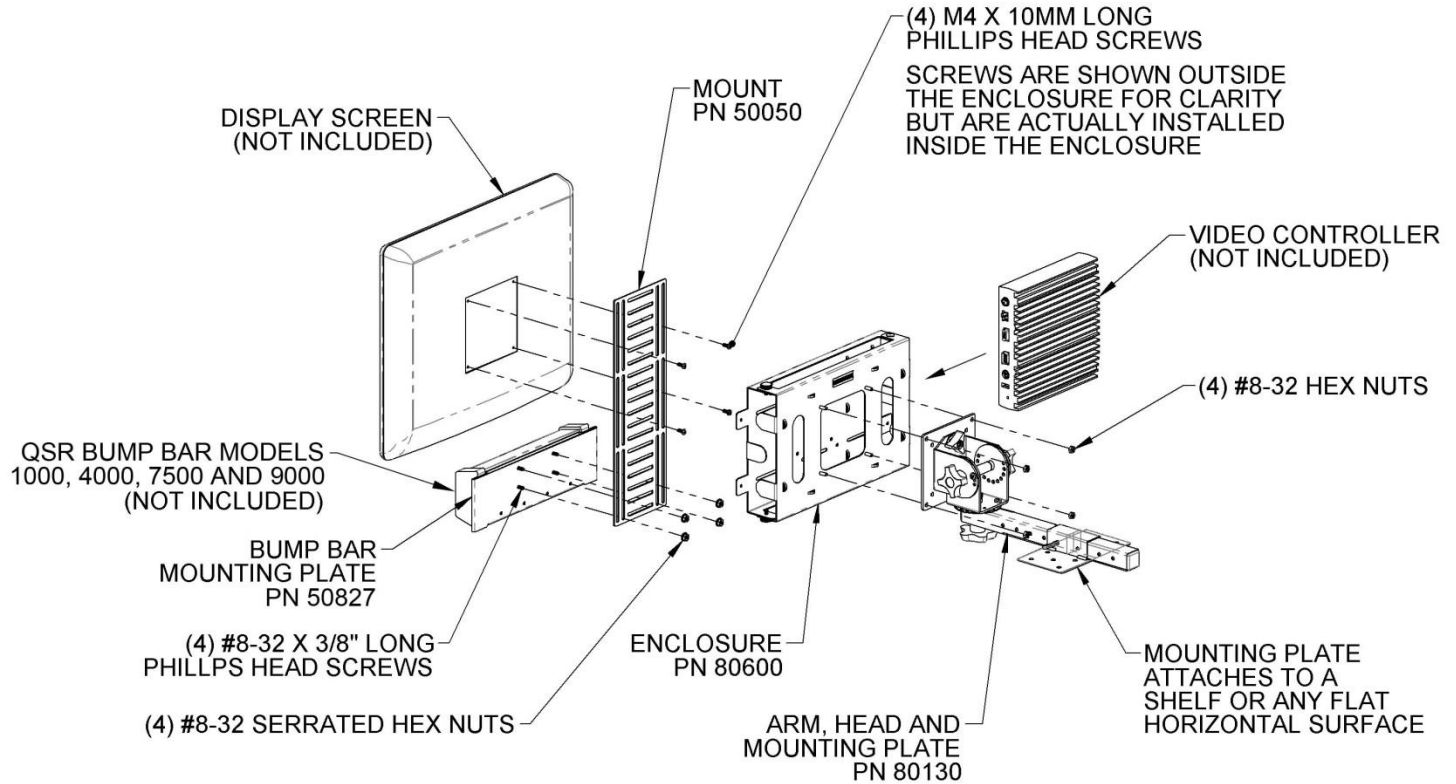
# PQS

## PRACTICAL QUALITY SYSTEMS

*Fast Custom Manufacturing - Nationwide Installation Services*



Screen, controller and bump bar are not included

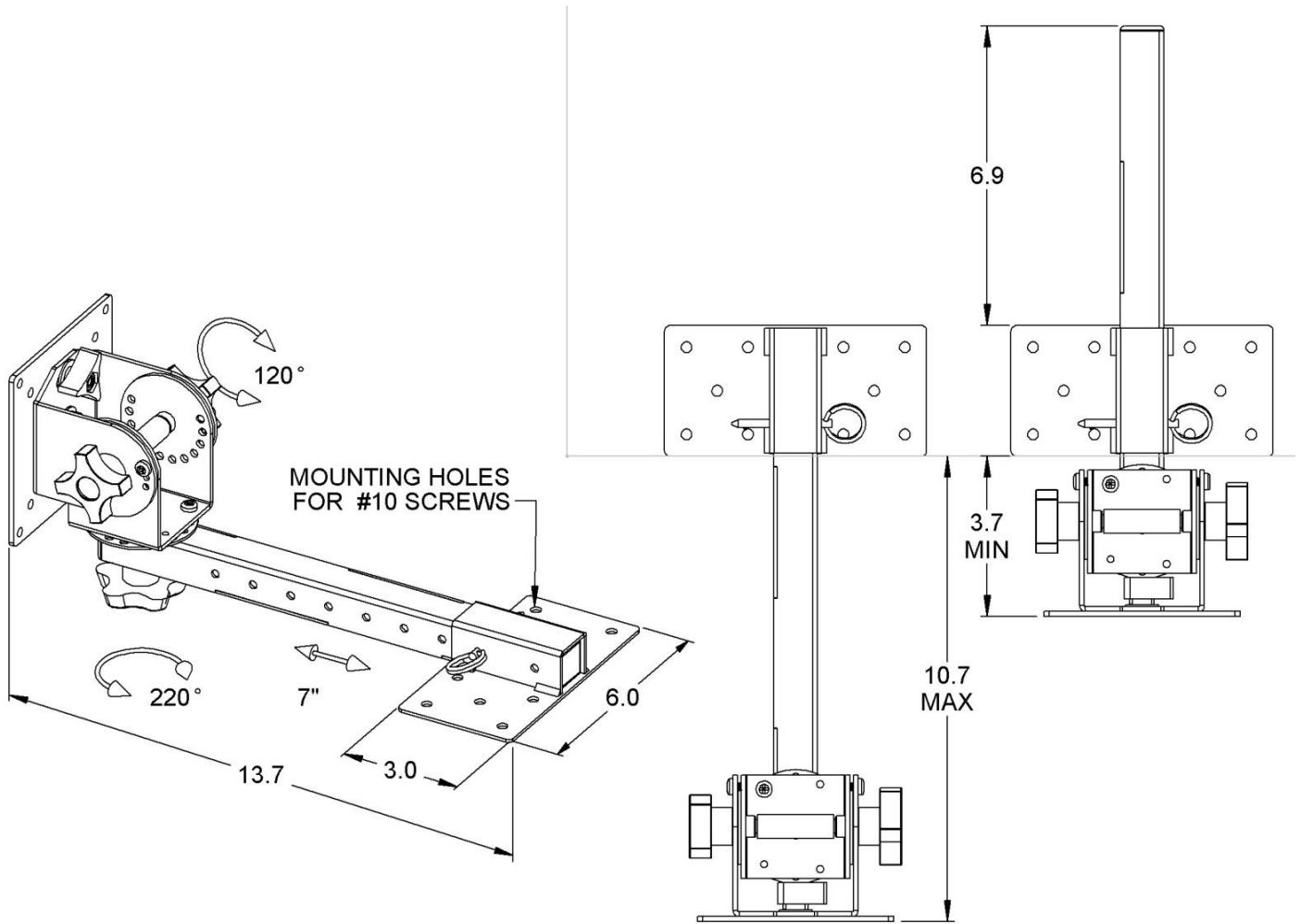


### Included components and hardware

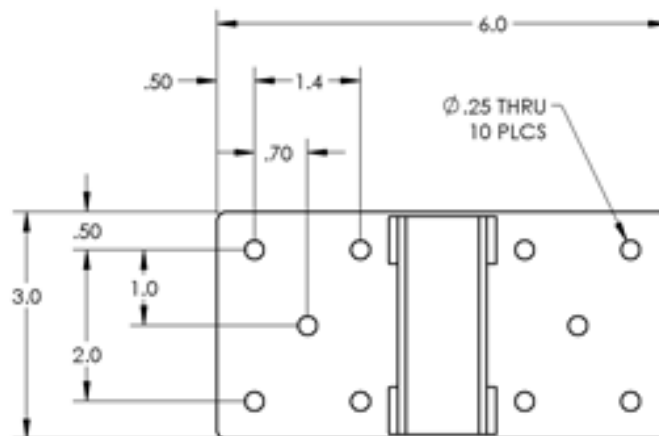
- (1) PN 80130
- (1) PN 80600-CH
- (1) PN 50050
- (1) PN 50827
- (4) #8-32 X 3/8" long Phillips head screws (Bump Bar Mount)
- (4) #8-32 serrated flange hex nuts (Bump Bar Mount)
- (4) #8-32 hex nuts (Enclosure to Head)
- (4) M4 X 10MM long Philips head screws (Enclosure through Mount into Display Screen)

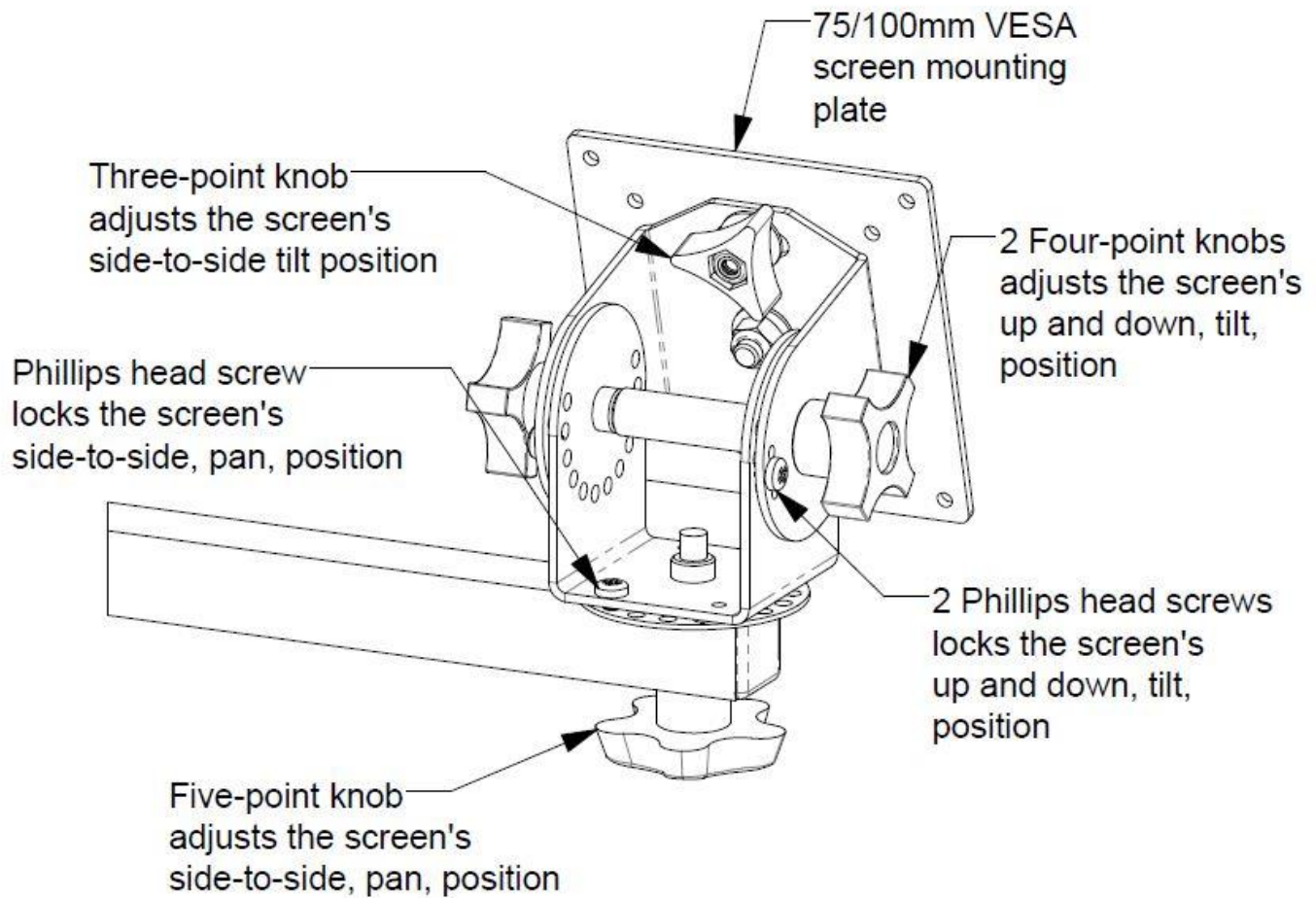
## **General Features**

- Visit [kitchendisplaysystems.com](http://kitchendisplaysystems.com) for an easy to understand tutorial that covers all aspects of Kitchen Display Systems knowledge!
- This mounting package includes the following individual product components which are also available separately: PN 80130, PN 80600-CH, PN 50050 and PN 50827.
- For more information on the individual components included in this package please refer to the assembly sketches in this document and the downloadable product information sheets available on our website for each of the product pages for each part number.
- This mounting package supports any VESA compatible monitor, a QSR display controller or thin client and a QSR 1000, 4000, 7500 or 9500 bump bar.
- The included screen mounting assembly supports up to 25 pounds of equipment and attaches directly to a shelf edge or other flat horizontal surface.
- The screen mount included in this package allows for basic adjustments of the screen position. A similar package is offered with a fully articulated mount that allows for a much greater range of screen position adjustability.
- These mounting packages are designed to offer simplified selection of the components needed to support your Kitchen Display System equipment.
- These packages of components are only a small sample of the many options that are available. Contact our sales team if you would like us to assemble a custom package for you.
- Purchasing these components as a package automatically qualifies for a discounted price over purchasing the same items separately. This discounted package price cannot be combined with any other discount programs.



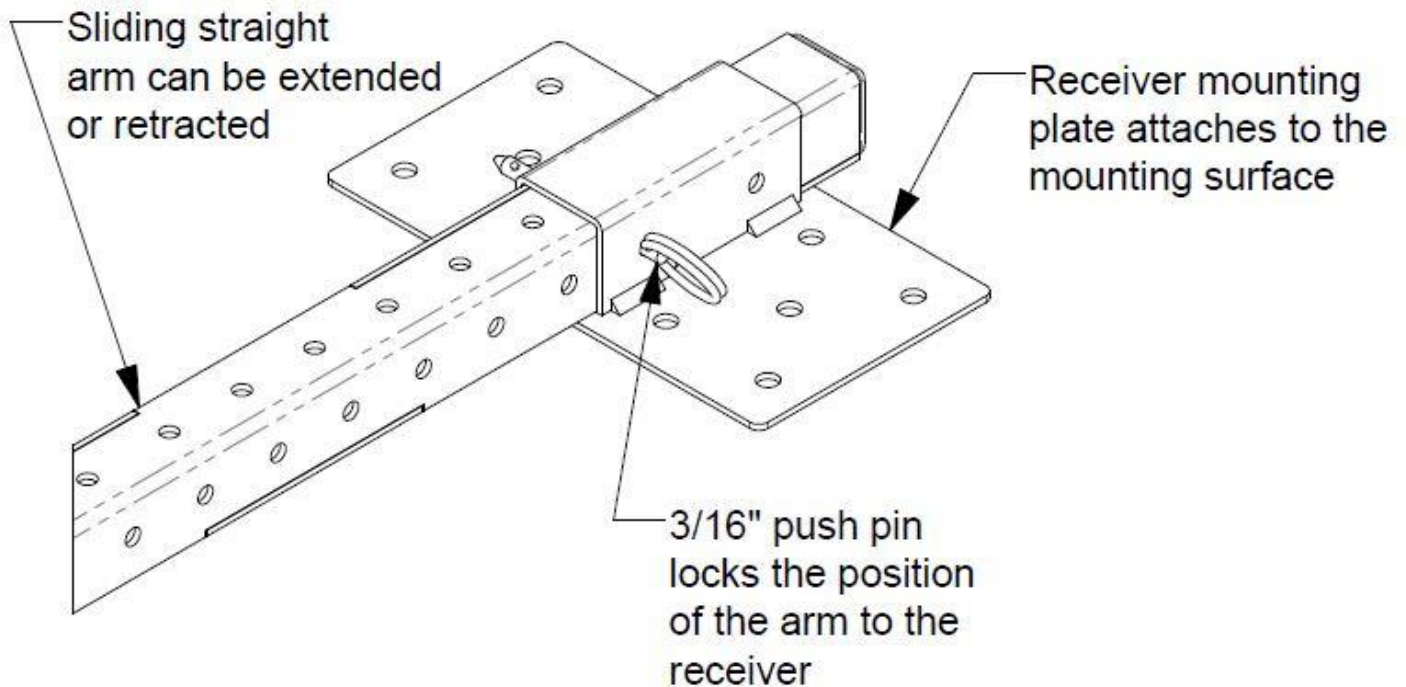
MOUNTING PLATE





### **Enhanced VESA 75/100mm Pan and Tilt Head with side-to-side Tilt adjustment on an Adjustable Arm**

- A universal mount that works with any 75mm or 100mm VESA compatible screen.
- Tightening the 2 four-point knobs applies variable clutching resistance to allow adjustment of the up and down tilt position of the screen. Tighten either of the two 10-32 Phillips head screws adjacent to the four-point knobs to permanently secure the tilt position.
- Tightening the five- point knob below the end of the Arm applies variable clutching resistance to allow adjustment of the side-to-side pan position of the screen. Tighten the 10-32 Phillips head screw on the lower Panning plate into one of the holes in the end of the arm to permanently secure the pan position.
- Tightening the three - point knob at the rear center of the VESA mounting plate applies variable resistance to allow adjustment of the side-to-side screen tilt position.
- Includes 4 pieces of M4 Phillips head screws to attach the VESA mounting plate to the back of the screen.

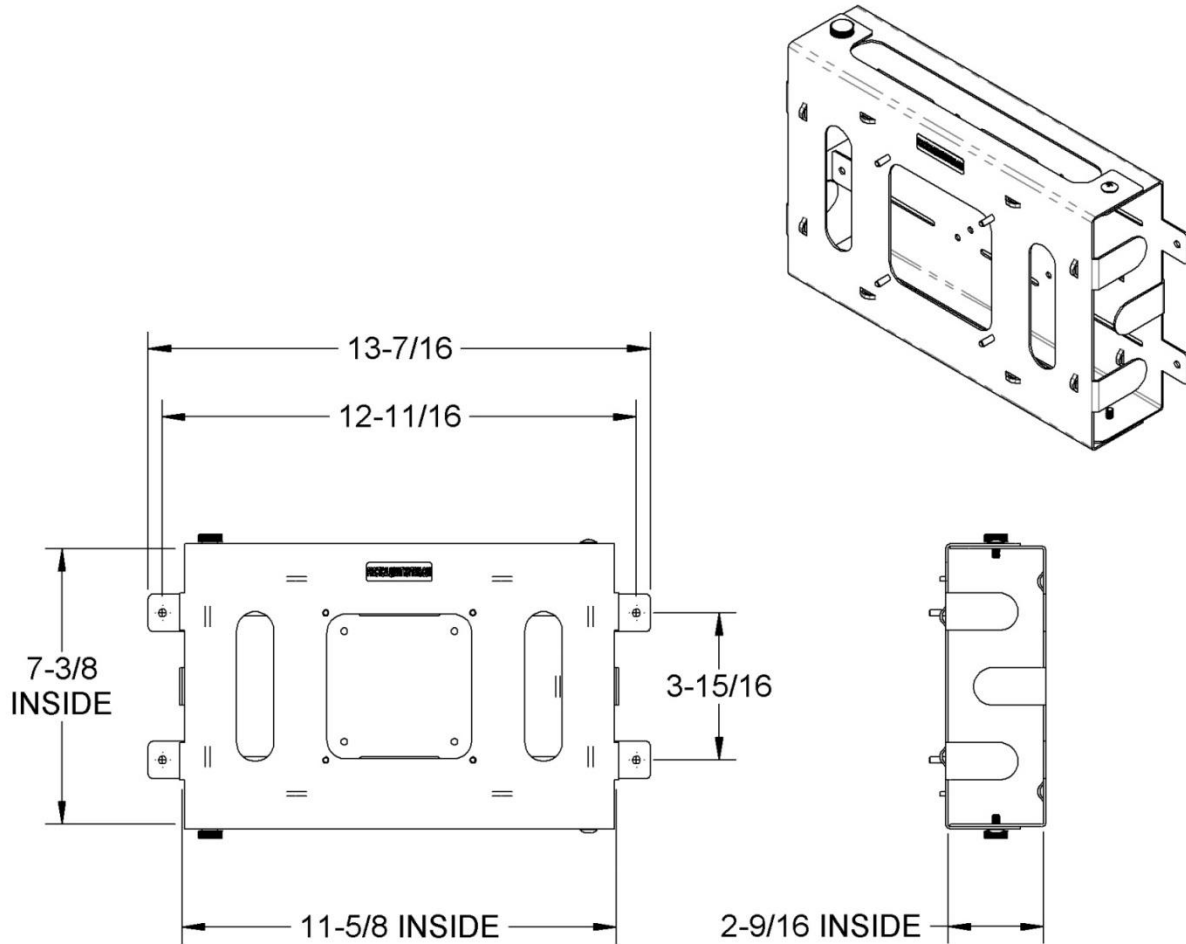


### Fixed Shelf Edge Receiver Mounting Plate and Sliding Straight Arm

- The Fixed Shelf Edge Receiver Mounting Plate can be attached to any flat, smooth horizontal or vertical surface.
- Attach the mounting plate to the mounting surface with appropriate fasteners.
- Remove the 3/16" push pin to adjust the extended position of the Sliding Straight Arm to the desired position in the Fixed Shelf Edge Receiver; then reinsert the pin.

### Partial list of Compatible Touchscreen Monitors

- elo Touchscreen Monitor 0702L, 1002L, 1302L, 1502L, 2002L, 2202L, 2201L, 2402L, 2702L, 1515L, 1517L, 1523L, 1715L, 1717L, 1723L, 1902L, 1915L.
- elo Touchscreen Monitor Medical Grade 1903LM, 2203LM 22", 2403LM 24", 2703LM 27".
- Viewsonic Touch screens TD3207, TD1630-3, TD2223, TD2230, TD2423, TD2430, TD2760.
- Beetrionics Inc. touchscreens 7TS7M, 8TSV7M, 10TS7, 10TSV7M, 10TS7M, 12TS7, 12TSV7M, 12TS7M, 13TS7, 13TS7M, 15TS7, 15TSV7M, 15TS7M, 17TSV7M, 17TS7M, 19TSV7M, 19TS7M, 22TS7M, 24TS7M.
- Planar Touch Screen Monitors Helium PCT2265, PT2245PW, Helium PCT2235, PXL2230MW, PT1945P, PT1945R, PT1745P, PT1545P, PT1545R.

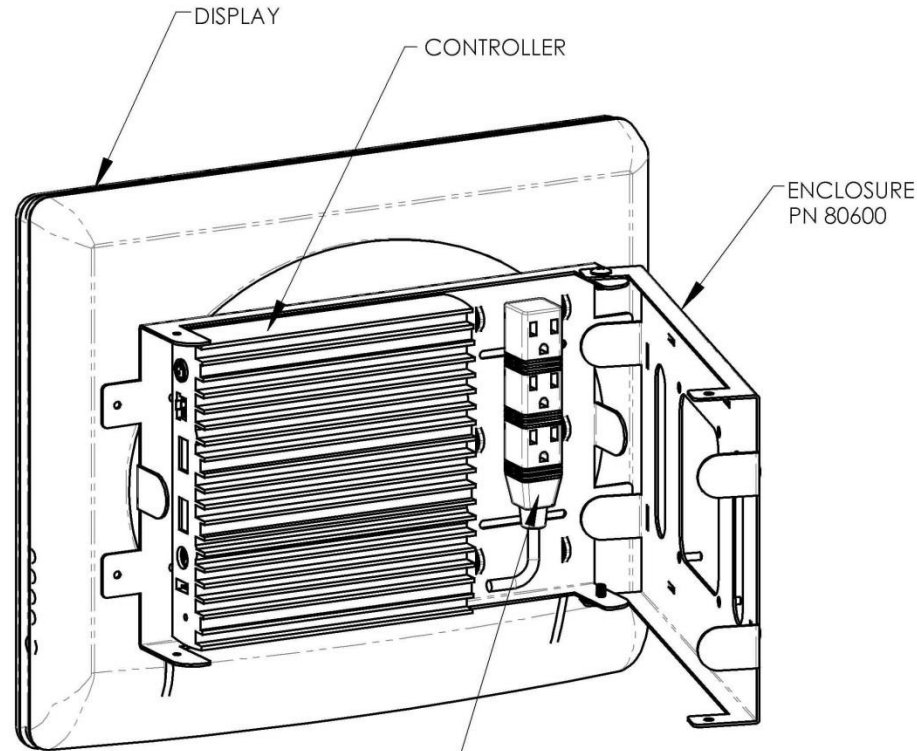


**OUTSIDE DIMENSIONS ARE 11-3/4 WIDE X 7-5/8 TALL X 2-11/16 DEEP**

**We believe in ethical SEO relevancy; the following section was included to assist the all-knowing algorithms in locating this page; however, some humans like it too.**

- VESA shelf mount, VESA shelf mounting bracket, VESA shelf mount bracket, Screen shelf mount, screen shelf mounting bracket, screen shelf mount bracket, monitor shelf mount.
- Monitor shelf mounting bracket, monitor shelf mount bracket, POS terminal shelf mount, POS terminal shelf mounting bracket, POS terminal shelf mount bracket, Point of Sale POS terminal shelf mount, Point of Sale terminal shelf mounting bracket, Point of Sale terminal shelf mount bracket.
- KDS shelf mount, KDS shelf mounting bracket, KDS shelf mount bracket, Kitchen Display System shelf mount, Kitchen Display System shelf mounting bracket, Kitchen Display System shelf mount bracket.
- Kitchen production System shelf mount, Kitchen Monitor shelf mount, Kitchen video shelf mount. Touchscreen shelf mount, All in One PC shelf mount, Healthcare monitor shelf mount, Industrial process monitor shelf mount, Kiosk shelf mount, Office monitor shelf mount, manufacturing process monitor shelf mount.

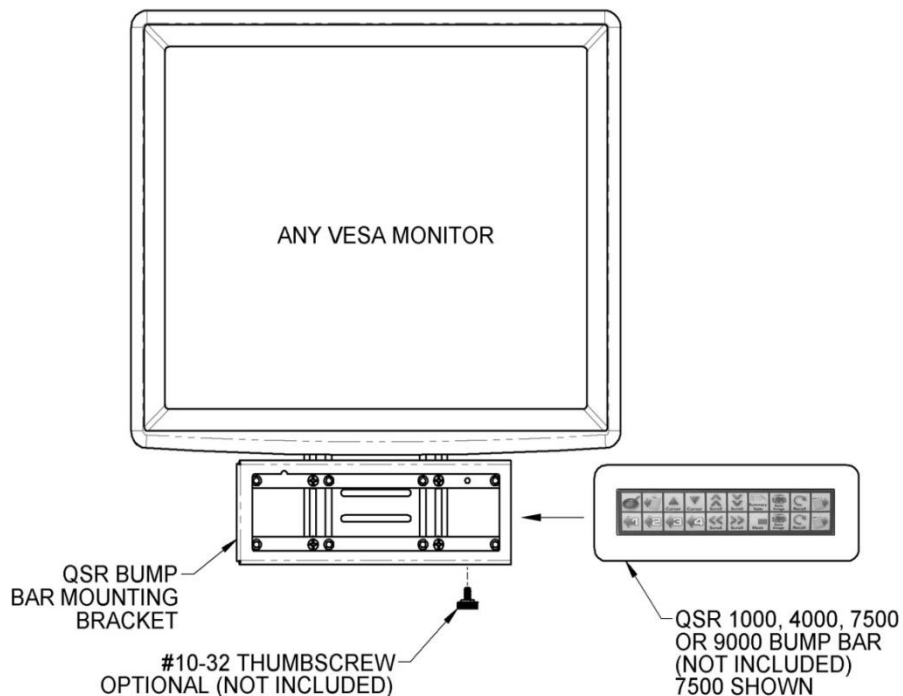
RECOMMENDED INSTALLATION SHOWN WITH A GENERIC CONTROLLER



INSTALL A THREE STRIP POWER OUTLET WITH EXTENSION CORD INSIDE THE ENCLOSURE TO REDUCE CABLING AND PROVIDE POWER FOR THE SCREEN AND CONTROLLER.

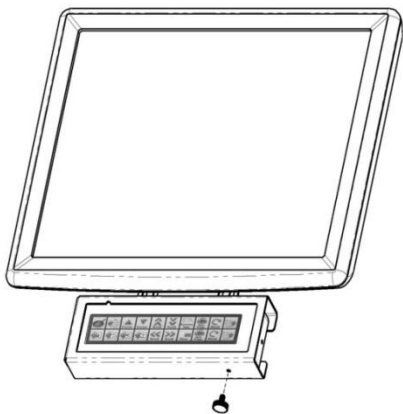
### A partial list of compatible equipment

- Bematech Logic Controls LS8000-KP Kitchen Display System Controller, Logic Controls LS8900 KDS/Industrial Computer, Logic Controls LC8100 KDS/Industrial Computer, Logic Controls LS6100 Kitchen Controller , LC8810 KDS/Industrial Computer.
- LC8710 KDS/Industrial Computer, QSR Automations ePic Controller, QSR Automations xCeed Controller DE-4100, QSR Automations MP9, PAR EverServ, MICROS Oracle KP210, MICROS Oracle DT166, Aloha Radiant Systems Kitchen Display System Controller P823F001.
- NCR KC4 Kitchen Controller, DT Research SA166CR Signage Appliance, Touch Dynamic Saturn Atom PC , Touch Dynamic Razor PC, MicroPlus, Aldelo, PC America , SAM4s Kitchen Video Display System EPAD Controller.
- OnLogic Helix 600, Epson KD-IB01, Advantech UNO-247-J1N1AE, Advantech UNO-2484G, Advantech MIC-710A1 AI Inference System, HUNSN I5 4200U, Partaker, Gerui, Stealth LPC-915, Stealth WPC-905, Stealth LPC-490, Stealth LPC-490F , Stealth LPC-915, Stealth LPC-175F, Stealth LPC-810, Stealth LPC-140G4, Stealth LPC-140G4FS, Stealth LPC-815.

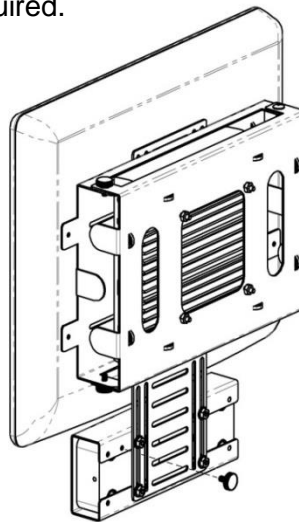


### SLIDE BUMP BAR INTO MOUNTING BRACKET

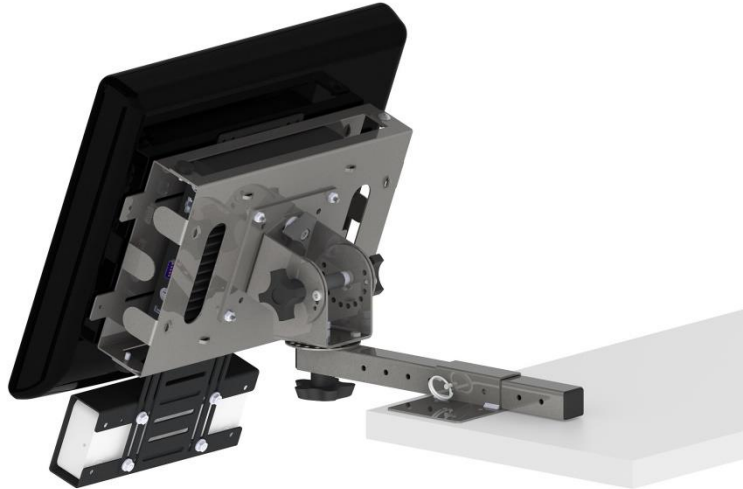
The bump bar fits snugly into the mounting bracket with just a small amount of clearance. You may require the bump bar to be tight in the bracket. If so, we have provided two #10-32 tapped holes for extra tightening if required.



From the bottom - Use a #10-32 X 1/4" long thumbscrew (or equivalent - not included) to tighten the bump bar into



From the back - Use a #10-32 X 1/4" long thumbscrew (or equivalent - not included) to tighten the bump bar into the bracket.



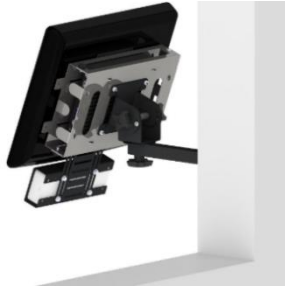
**More; yes more...**

- Industrial computer Enclosure, Industrial computer VESA Mount, Industrial computer, Industrial computer Housing, industrial computer Mounting bracket, Industrial computer Monitor Mount, Thin client Housing.
- Thin client Enclosure, Mini PC Enclosure, Mini computer Enclosure, Mini computer Housing, Minicomputer Enclosure, Thin client VESA Mount, Mini PC VESA Mount, Mini PC Housing, Mini computer VESA Mount.
- Mini computer Housing, Minicomputer VESA Mount, Minicomputer Housing, thin client Mounting bracket, Mini PC Mounting bracket, Mini computer Mounting bracket, minicomputer Mounting bracket, Thin client Mount, Mini PC Mount.
- Mini computer Mount, minicomputer Mount, Thin client Monitor Mount, Mini PC Monitor Mount, Mini computer Monitor Mount, Minicomputer Monitor Mount, Thin client Mounting bracket, Mini PC Mounting bracket.
- Mini computer Mounting bracket, Minicomputer Mounting bracket, KDS controller Enclosure, KDS controller Housing, KDS controller VESA Mount, KDS controller Mounting bracket, KDS controller Mount, KDS controller Monitor Mount.
- Kitchen display System controller Enclosure, Kitchen display System controller Housing, Kitchen display System controller VESA Mount, Kitchen display System controller Mounting bracket, Kitchen display System controller Mount.
- Kitchen display System controller Monitor Mount, LITTLEPCS Enclosure, LITTLEPCS Housing, LITTLEPCS VESA Mount, LITTLEPCS Mounting bracket, LITTLEPCS Mount, LITTLEPCS Monitor Mount, Small Form Factor PCs Enclosure.
- Small Form Factor PCs Housing, Small Form Factor PCs VESA Mount, Small Form Factor PCs Mounting bracket, Small Form Factor PCs Mount, Small Form Factor PCs Monitor Mount.

### Interactive Catalog of QSR KDS Mounting Solutions

These mounts are included in the [“QSR KDS Mounting Solutions”](#) product group pages on our website. For more information; click on the images or descriptions to visit the individual product pages on our website. PDF Product Information Sheets are available at the Product Attachments tab on each product page.

[Practical Quality Systems Home Page](#)



[PN 90320-QSR - Basic Wall Mount KDS Support Package for any VESA Monitor + QSR Controller + QSR Bump Bar](#)



[PN 90321-QSR - Basic Wall Mount KDS Support Package for an Elo Touchscreen + QSR Controller](#)



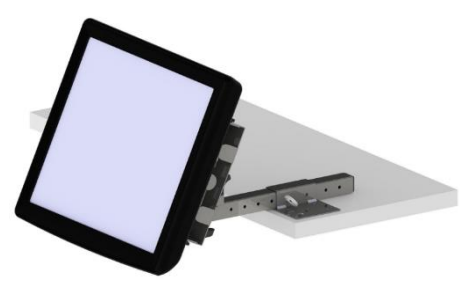
[PN 90330-QSR - Fully Articulated Wall Mount KDS Support Package for any VESA Monitor + QSR Controller + QSR Bump Bar](#)



[PN 90331-QSR - Fully Articulated Wall Mount KDS Support Package for an Elo Touchscreen + QSR Controller](#)



[PN 90340-QSR - Basic Shelf Edge KDS Support Package for any VESA Monitor + QSR Controller + QSR Bump Bar](#)



[PN 90341-QSR - Basic Shelf Edge KDS Support Package for an Elo Touchscreen + QSR Controller](#)



[PN 90350-QSR - Fully Articulated Shelf Edge KDS Support Package for any VESA Monitor + QSR Controller + QSR Bump Bar](#)



[PN 90351-QSR - Fully Articulated Shelf Edge KDS Support Package for an Elo Touchscreen + QSR Controller](#)

### Interactive Catalog of Product Sub Groups

There are many individual products included in the various product sub groups featured on these pages.

Click on the images or descriptions to visit the individual product sub group pages on our website.

For Information about individual products; click on the "Product Attachments" tab on each of the individual product pages.

[Practical Quality Systems Home Page](#)



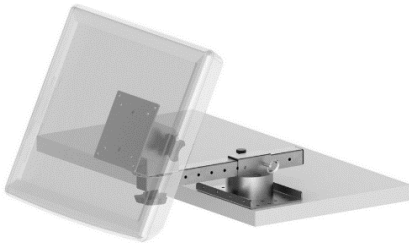
[Wall Mounts for Screens](#)



[Wall Mounts for POS Printers](#)



[Wall Mounts for Screens and POS Printers](#)



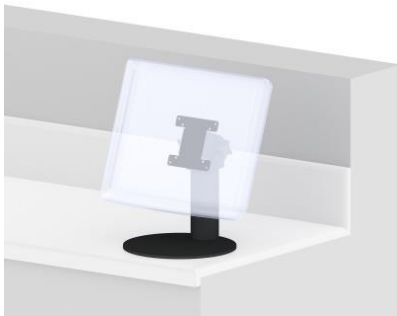
[Shelf Edge Mounts for Screens](#)



[Shelf Edge Mounts for POS Printers](#)



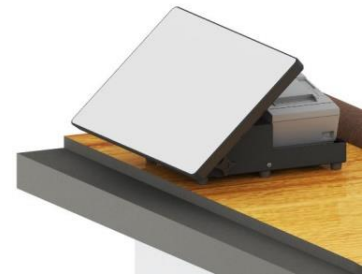
[Shelf Edge Mounts for Screens and POS Printers](#)



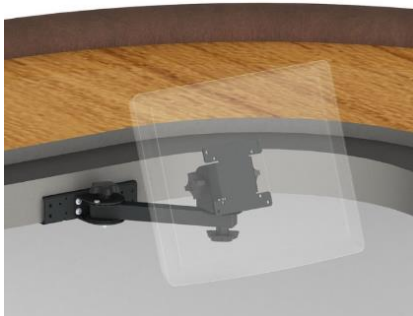
[Counter Top Mounts for Screens](#)



[Counter Top Mounts for POS Printers](#)



[Counter Top Mounts for Screens and POS Printers](#)



[Under Counter Mounts for Screens](#)



[Under Counter Mounts for POS Printers](#)



[Under Counter Mounts for Screens and POS Printers](#)

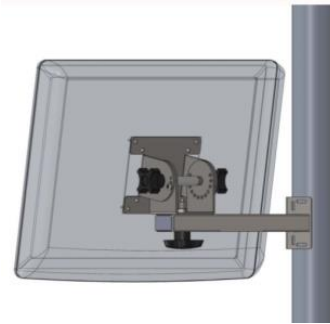
### Interactive Catalog of Product Sub Groups

There are many individual products included in the various product sub groups featured on these pages.

Click on the images or descriptions to visit the individual product sub group pages on our website.

For Information about individual products; click on the "Product Attachments" tab on each of the individual product pages.

[Practical Quality Systems Home Page](#)



[Pole Mounts for Screens](#)



[Pole Mounts for POS Printers](#)



[Ceiling Mounts for Screens](#)



[Oracle MICROS Mounting Systems](#)



[NCR Aloha KDS Mounting Solutions](#)



[QSR KDS Mounting Solutions](#)



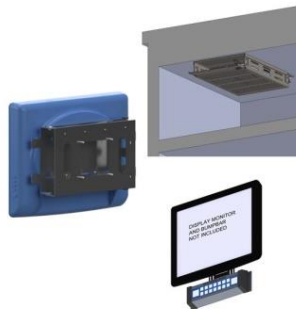
[Logic Controls Bematech KDS Mounting Solutions](#)



[Universal Kitchen Display System Mounting Packages](#)



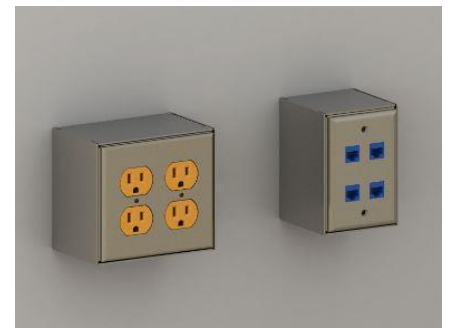
[Enclosures for Touchscreen, Monitors and Thin Clients](#)



[Back Of Screen VESA Mounts for Controllers, Thin Clients, Bump Bars, Tap+ Touch + EMV Readers](#)



[Stainless Steel Wireways](#)



[Stainless Steel Power and Data Outlet Monuments](#)

### Interactive Catalog of Product Sub Groups

There are many individual products included in the various product sub groups featured on these pages.

Click on the images or descriptions to visit the individual product sub group pages on our website.

For Information about individual products; click on the "Product Attachments" tab on each of the individual product pages.

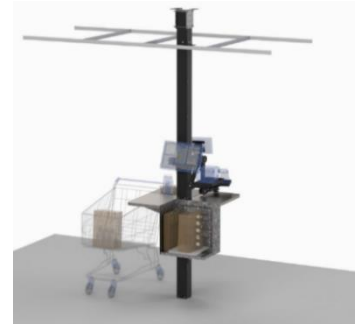
[Practical Quality Systems Home Page](#)



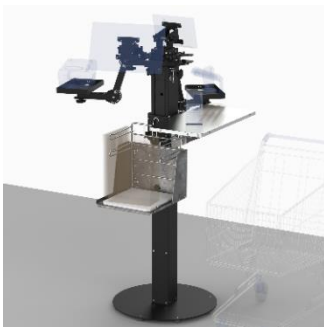
[Movable Countertop POS Stands](#)



[Direct Mount Countertop POS Stands](#)



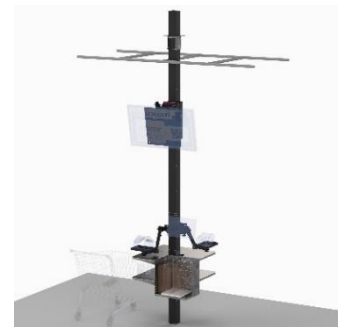
[POS Cashier Pole Stands](#)



[POS Cashier Floor Stands](#)



[POS Self-Check Out Kiosk Floor Stands](#)



[POS Self-Check Out Kiosk Pole Stands](#)



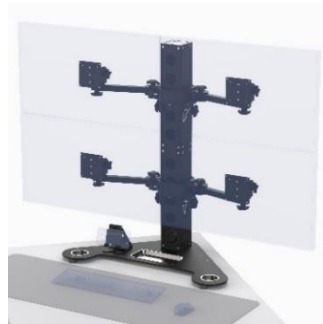
[Take Out Pickup Pole Stands](#)



[Take Out Pickup Floor Stands](#)



[Information Kiosk Floor Stands](#)



[Desktop Multi-Screen Pedestal Stands](#)



[4X4 Pole Clamp on Mounts](#)

New Product  
Coming Q3  
2023

[Mobile Cashier Stands](#)

### Interactive Catalog of Product Sub Groups

There are many individual products included in the various product sub groups featured on these pages.

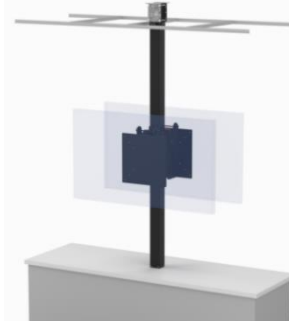
Click on the images or descriptions to visit the individual product sub group pages on our website.

For Information about individual products; click on the "Product Attachments" tab on each of the individual product pages.

[Practical Quality Systems Home Page](#)

New Product  
Coming Q3  
2023

Mobile Self-Check Out Stands



[Digital Signage Pole Stands](#)

New Product  
Coming Q3  
2023

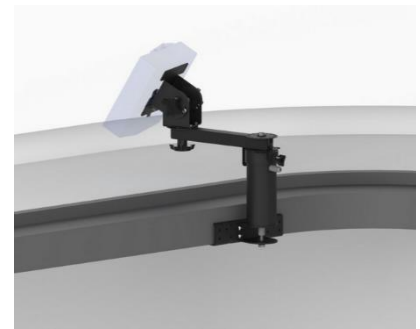
Stationary Podiums

New Product  
Coming Q3  
2023

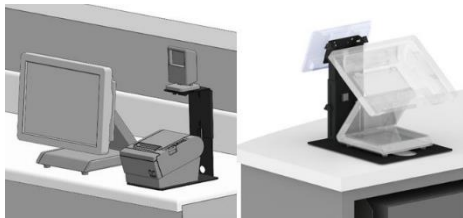
Stationary Podiums with Ceiling Feed Pole

New Product  
Coming Q3  
2023

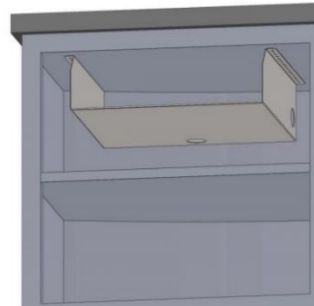
Mobile Podiums



[Ingenico Lane Reader Mounting Systems](#)



[Other Counter Top Mounts](#)



[Cash Drawer Mounting Solutions](#)