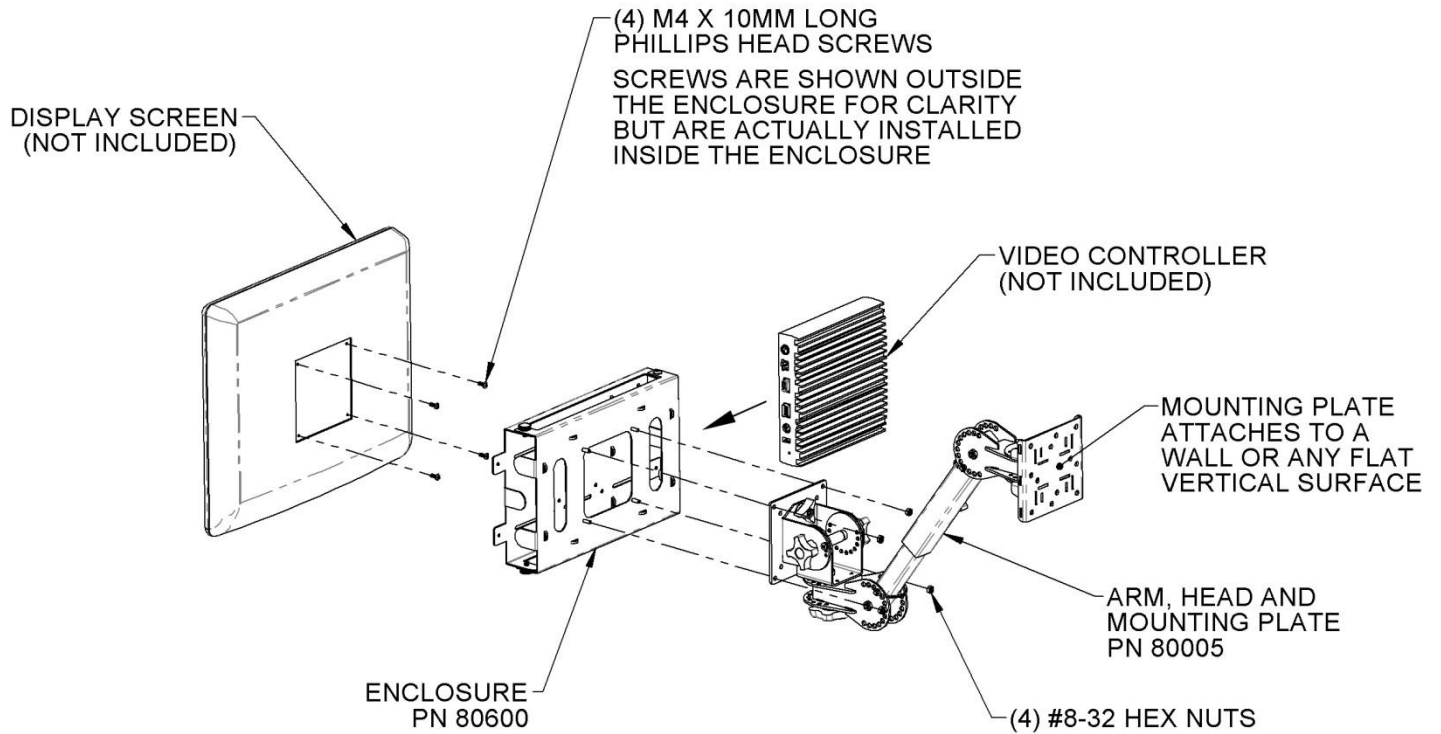


PQS

PRACTICAL QUALITY SYSTEMS
Fast Custom Manufacturing - Nationwide Installation Services



Touchscreen and controller are not included.

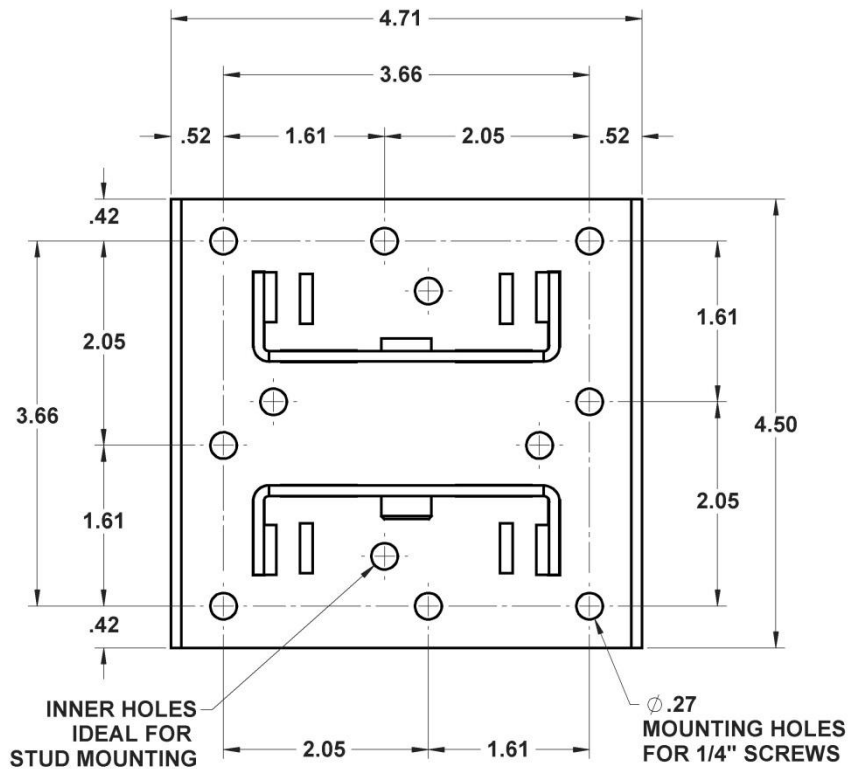
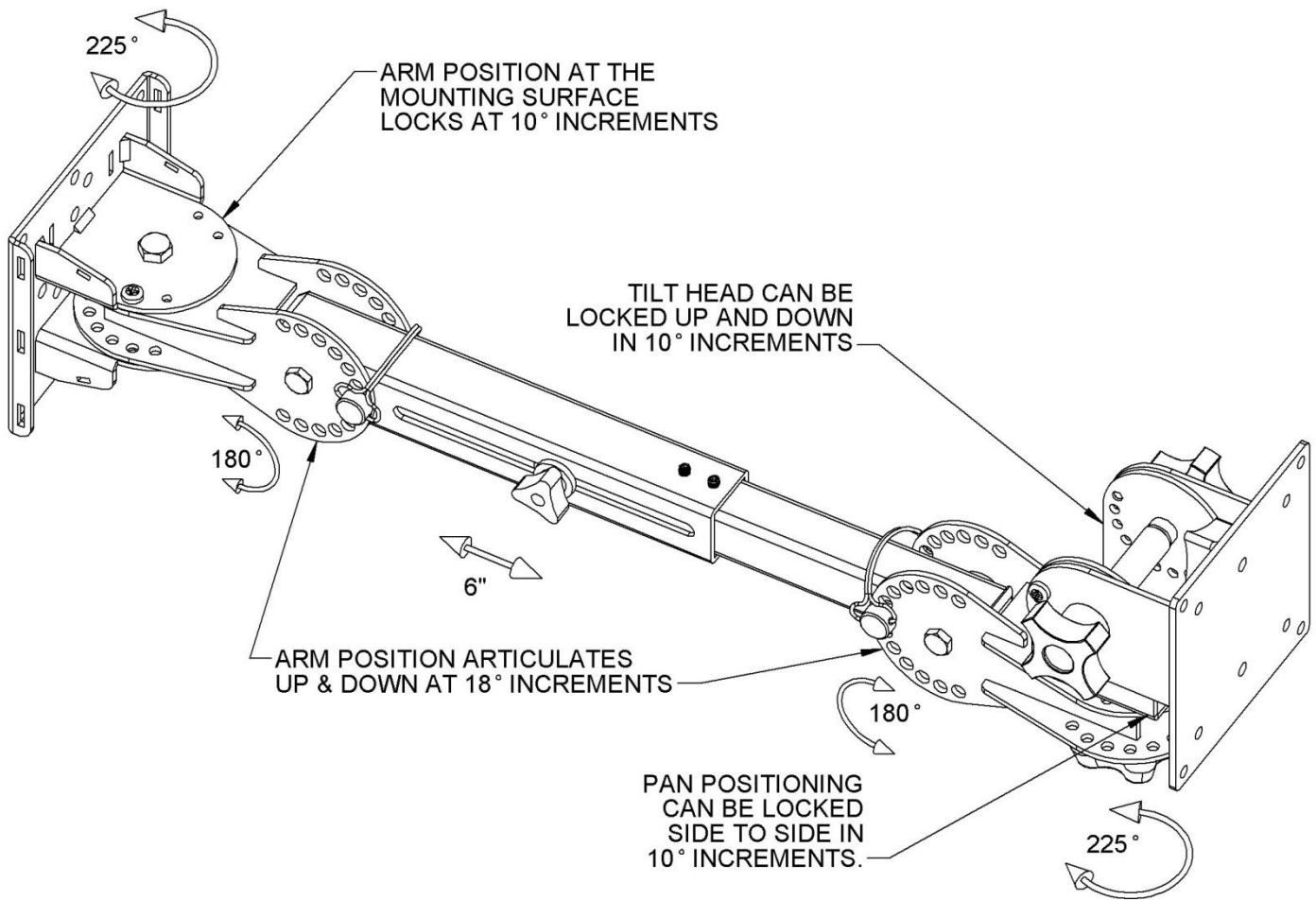


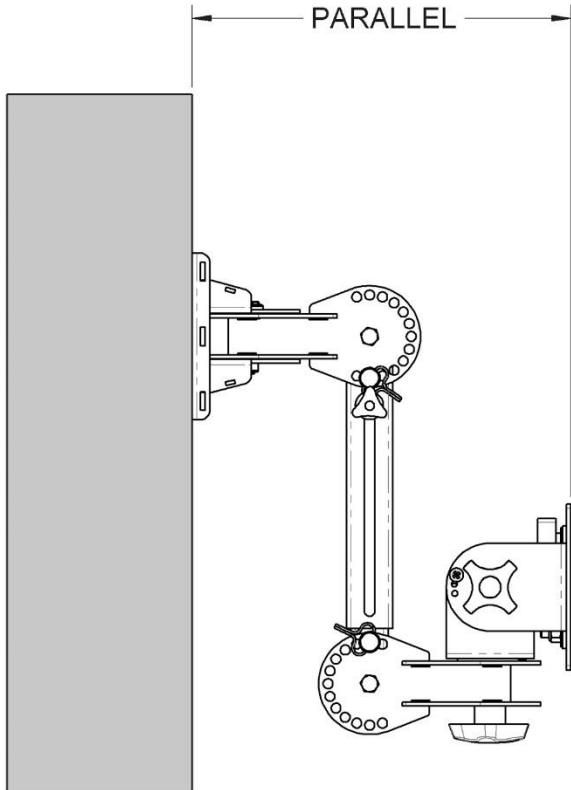
Included components and hardware

- (1) PN 80005
- (1) PN 80600-BLK
- (4) #8-32 serrated flange nuts (Enclosure to Head)
- (4) M4 X 10MM long Phillips head screws (Enclosure into Display Screen)

General Features

- Visit kitchendisplaysystems.com for a free, easy to understand tutorial that covers all aspects of Kitchen Display Systems knowledge!
- This mounting package includes the following individual product components which are also available separately: PN 80005 and PN 80600-BLK
- For more information on the individual components included in this package please refer to the assembly sketches in this document and the downloadable product information sheets available on our website for each of the product pages for each part number.
- This mounting package supports an Elo touchscreen and a QSR controller or thin client.
- The screen mounting assembly supports up to 25 pounds of equipment and attaches directly to a wall or other flat vertical surface.
- The enclosure is attached between the back of the touchscreen; and the pan and tilt head of the mounting system. It supports the controller, power supplies and any associated cabling.
- The screen mount included in this package allows full articulation of the screen position. A similar package is offered with a mount that allows basic adjustability of the screen position.
- These mounting packages are designed to offer simplified selection of the components needed to support your Kitchen Display System equipment.
- These packages of components are only a small sample of the many options that are available. Contact our sales team if you would like us to assemble a custom package for you.
- Purchasing these components as a package automatically qualifies for a discounted price over purchasing the same items separately. This discounted package price cannot be combined with any other discount programs.





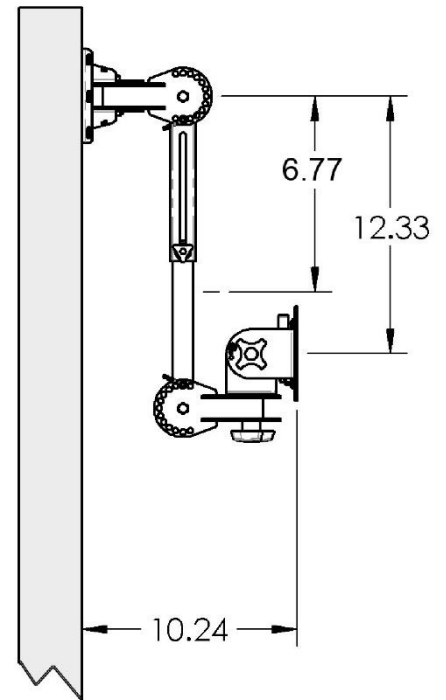
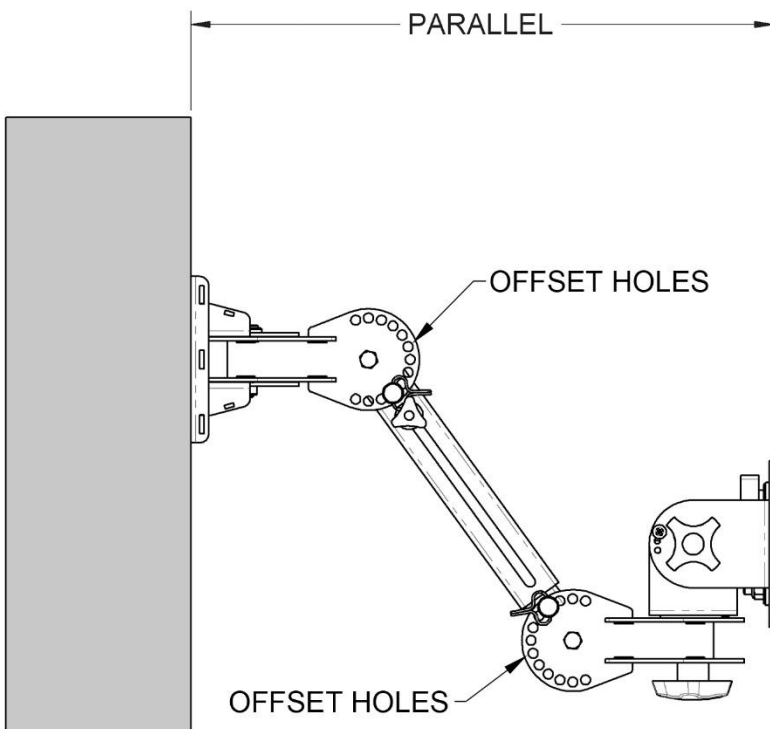
Recommended practice for adjusting the angle of the offset brackets;

In most applications you will want the pan and tilt head parallel to the wall or mounting surface.

If you want to change the angle of the mount do so equally at both ends to preserve a parallel orientation.

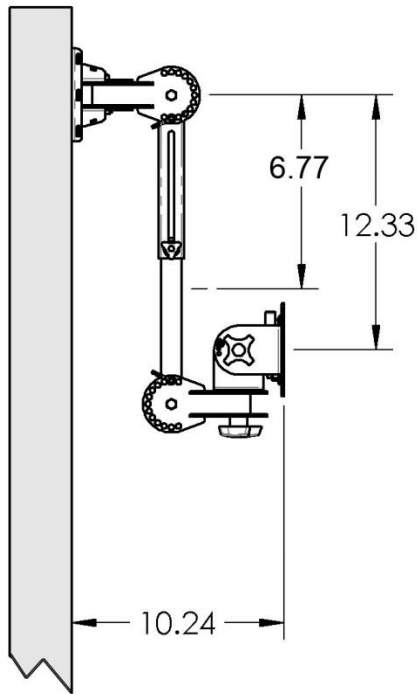
Example shown below – The upper offset bracket is indexed “up” two holes and the lower offset bracket is also indexed the same “up” two holes.

Simply tilt the pan and tilt head up or down to perfectly adjust your display

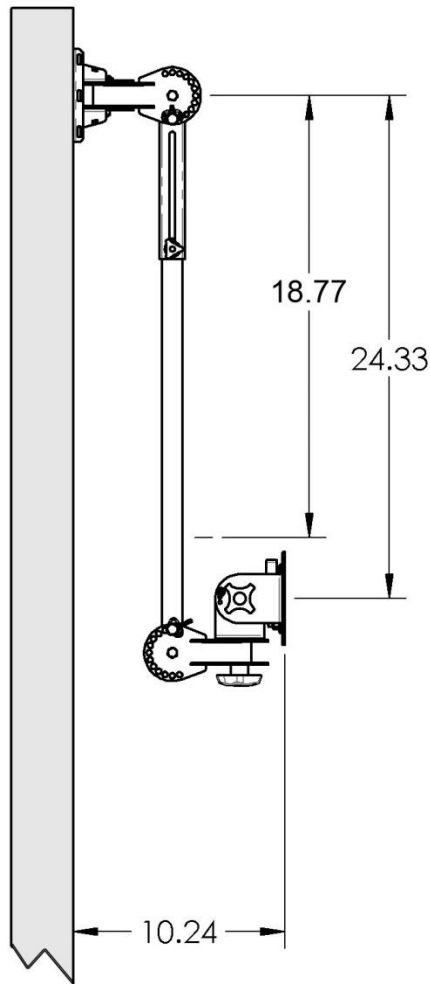


There are three extension arm assembly sections available. Please specify when ordering.

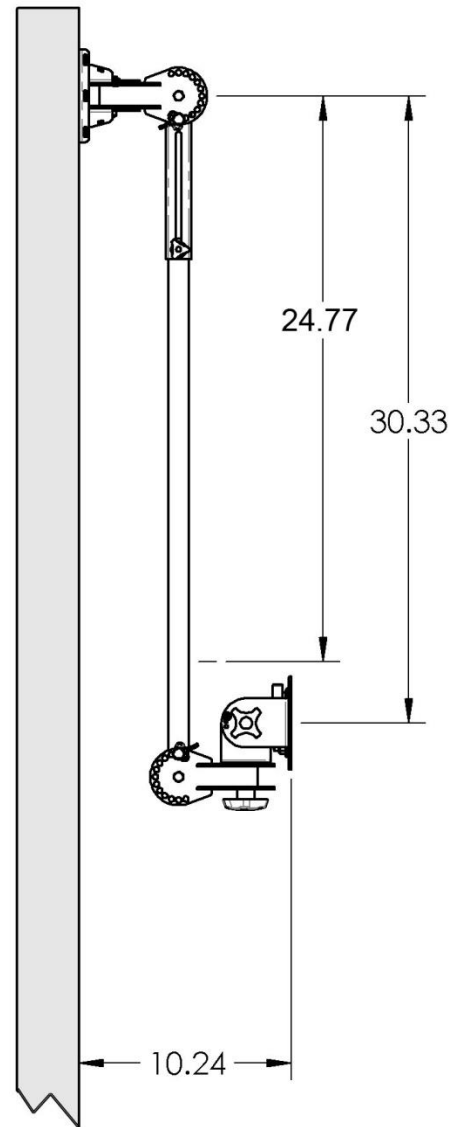
Each assembly is shown with dimensions that reflect the fully retracted and fully extended positions.



PQS PN 80005

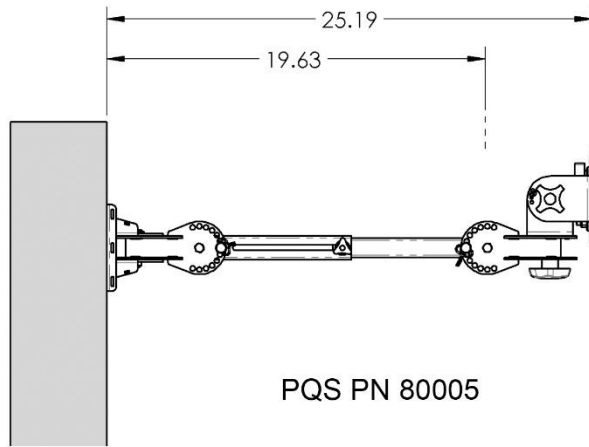


PQS PN 80005-3036

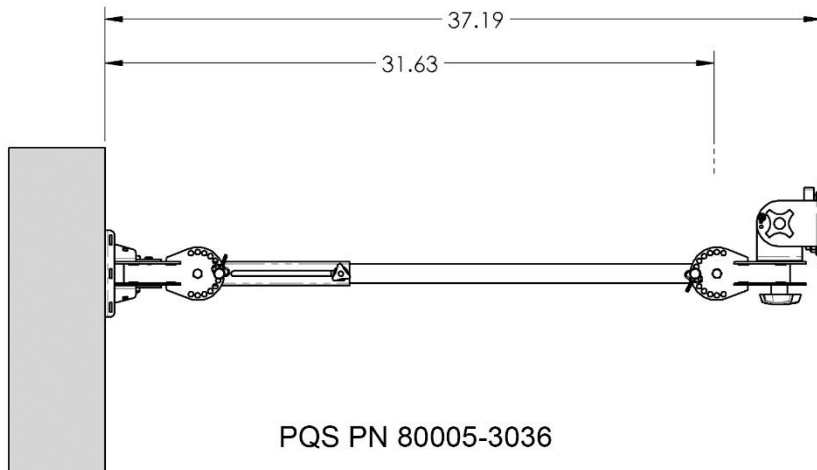


PQS PN 80005-3642

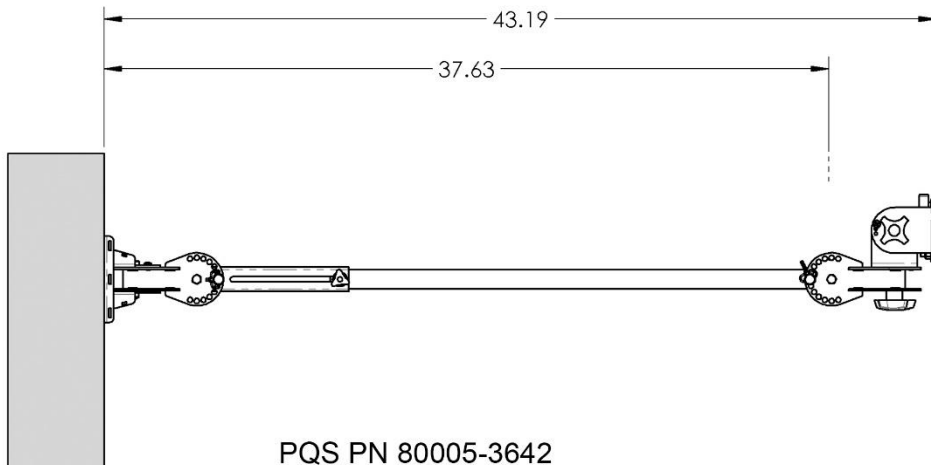
Each assembly is shown with dimensions that reflect the fully retracted and fully extended positions. These representations are shown for dimensional comparison only; supporting a screen straight out from a wall as shown is NOT recommended!



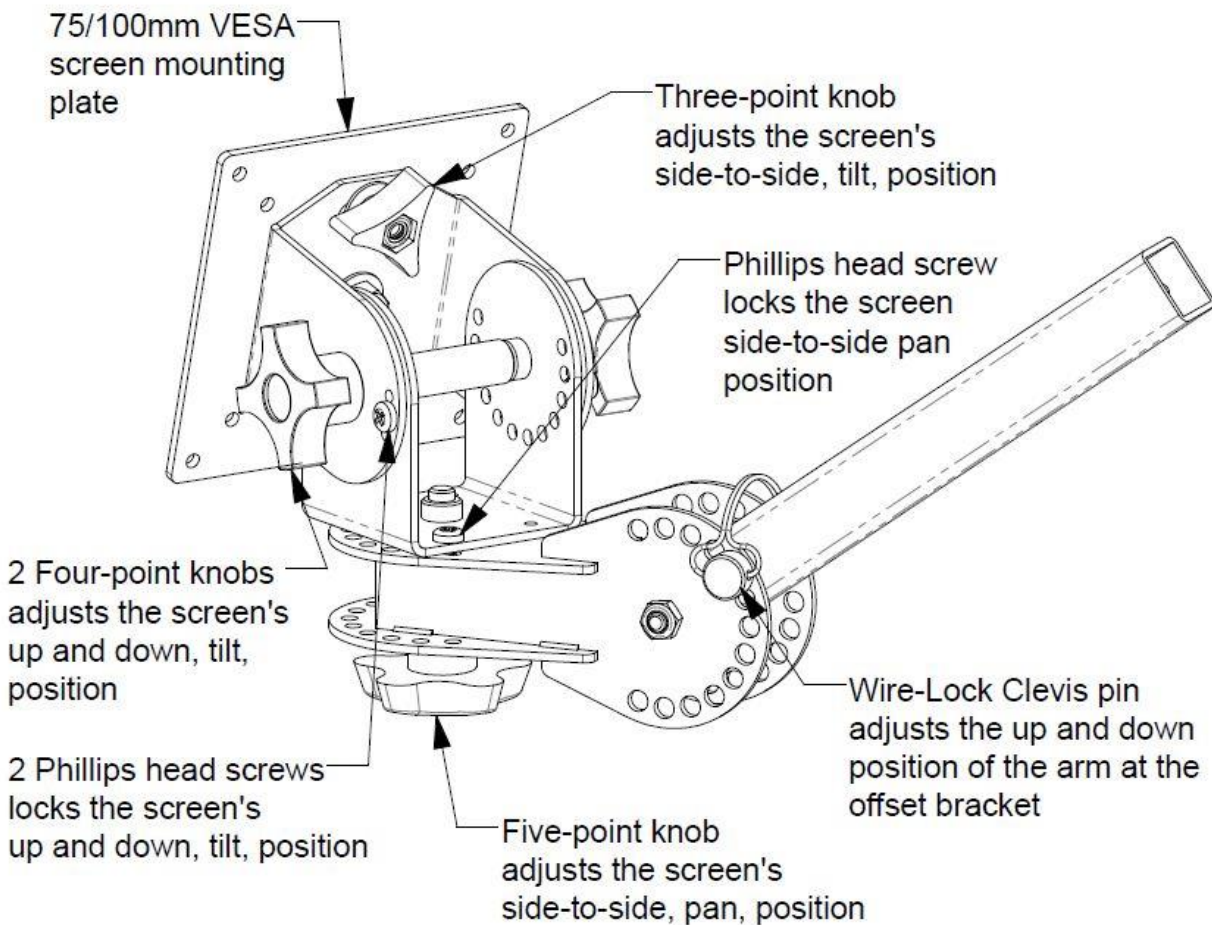
PQS PN 80005



PQS PN 80005-3036

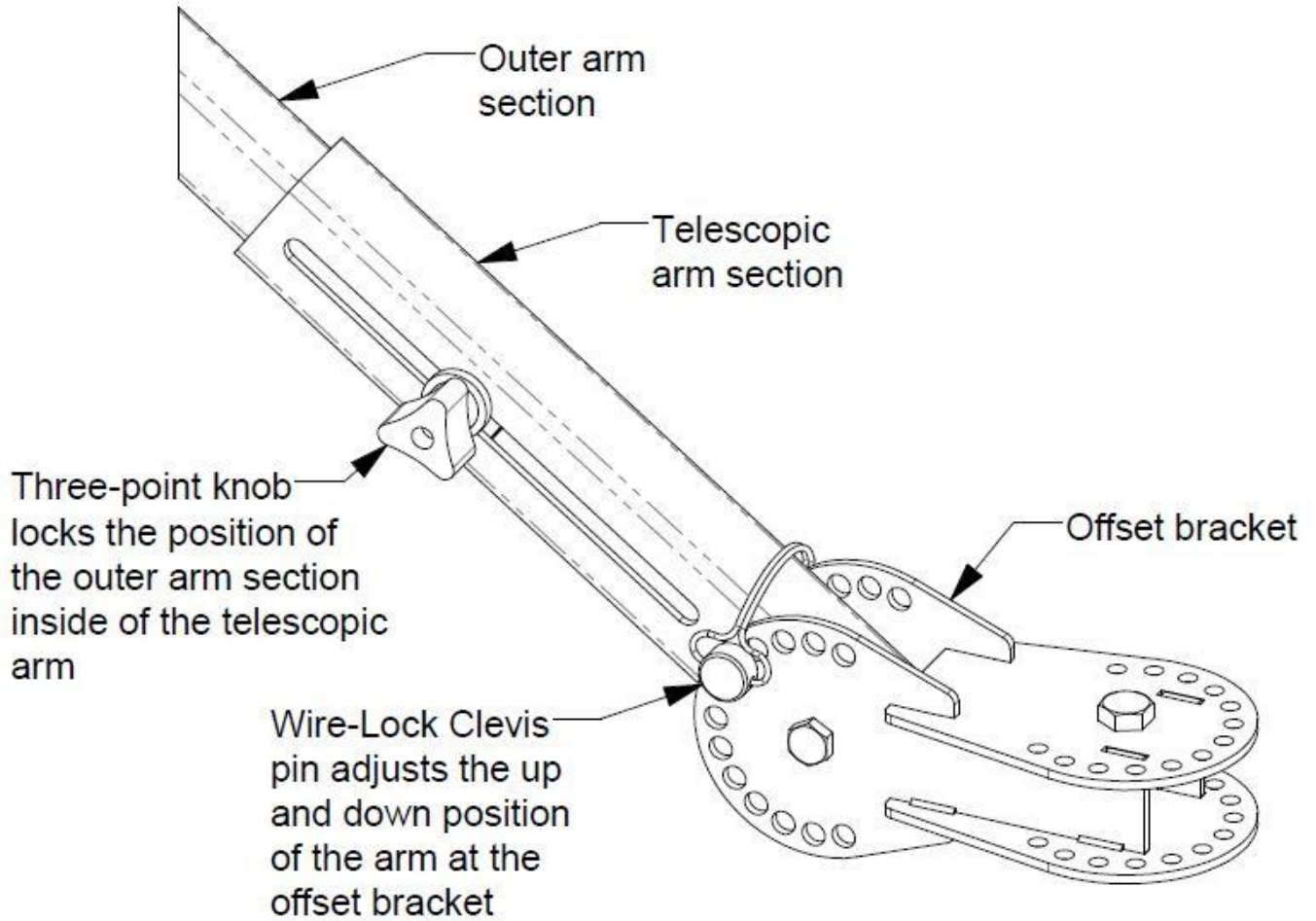


PQS PN 80005-3642



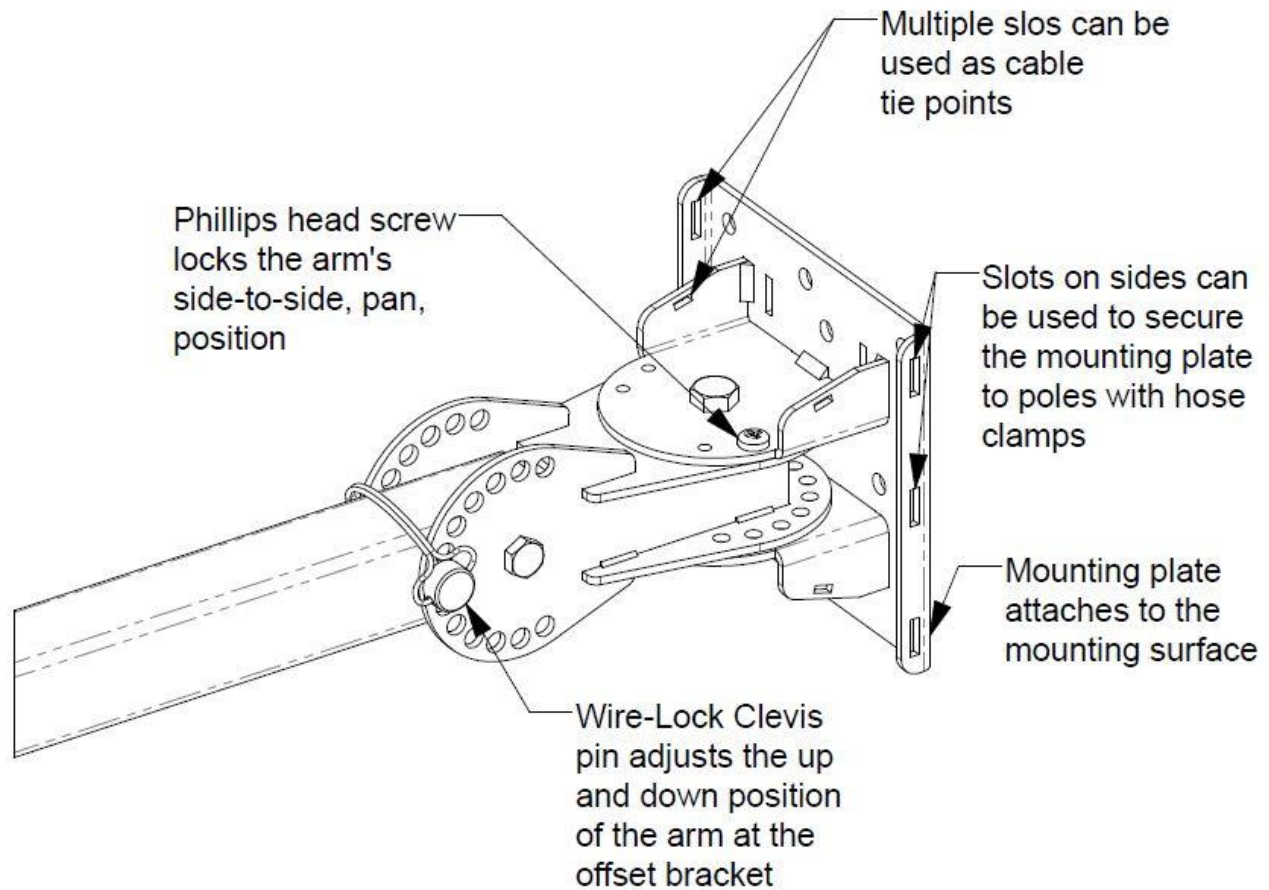
Enhanced VESA 75/100mm Pan and Tilt Head with side-to-side tilt adjustment on an Offset Arm Bracket

- A universal mount that works with any 75mm or 100mm VESA compatible screen.
- Tightening the 2 four-point knobs applies variable clutching resistance to allow adjustment of the up and down tilt position of the screen. Tighten either of the two 10-32 Phillips head screws adjacent to the four-point knobs to permanently secure the tilt position.
- Tightening the five-point knob below the Offset bracket applies variable clutching resistance to allow adjustment of the side-to-side pan position of the screen. A 10-32 Phillips head screw in the center of the lower Panning plate can be tightened to permanently secure the pan position.
- Tightening the three-point knob at the rear center of the VESA mounting plate applies variable resistance to allow adjustment of the side-to-side screen tilt position.
- Tighten the 10-32 Phillips head screw on the lower Panning plate into one of the holes in the Offset bracket to permanently secure the pan position.



Telescopic Arm Section

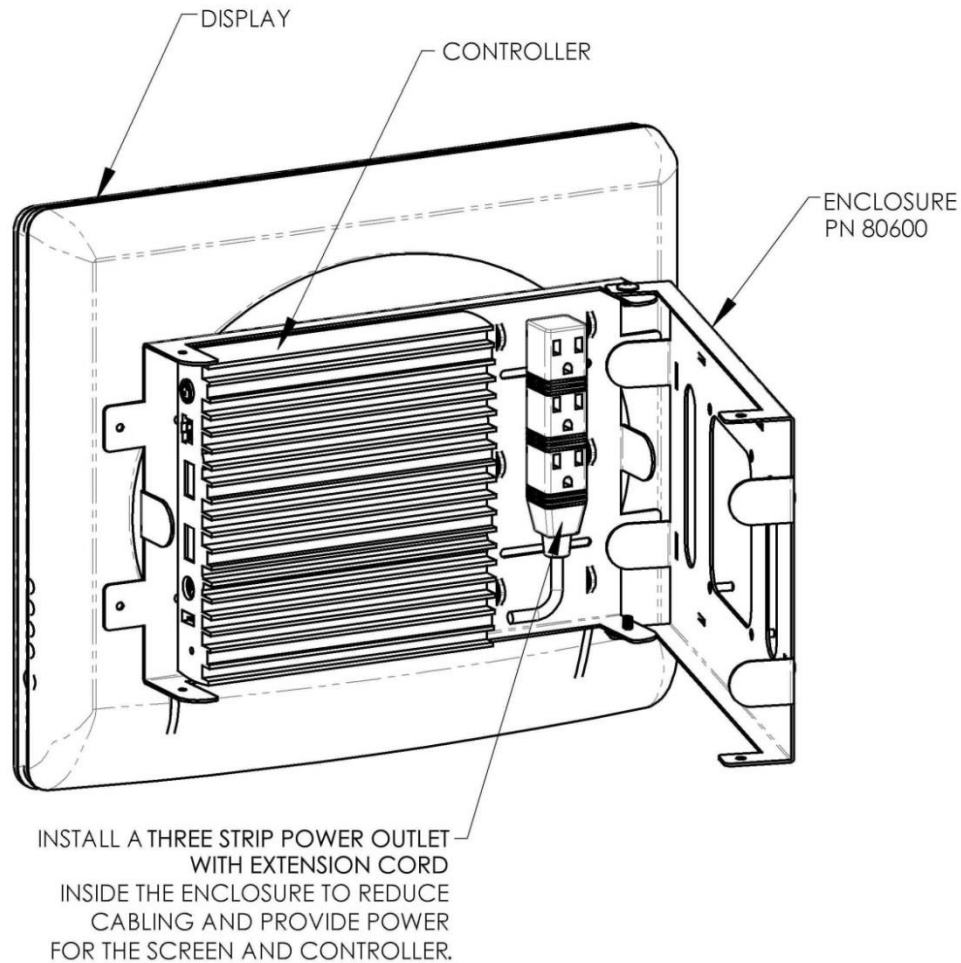
The overall length of the Telescopic arm section can be adjusted up to 6 inches. To adjust; grasp the inner arm and slightly loosen the three-point knob just until the inner arm can be moved. Pull the inner arm out to extend it or push it in to retract the arm to the desired new length; then retighten the knob to secure the position.



Single Position 25lb Wall Mounting Plate with Integral Standoff bracket, Offset Arm Bracket and Arm

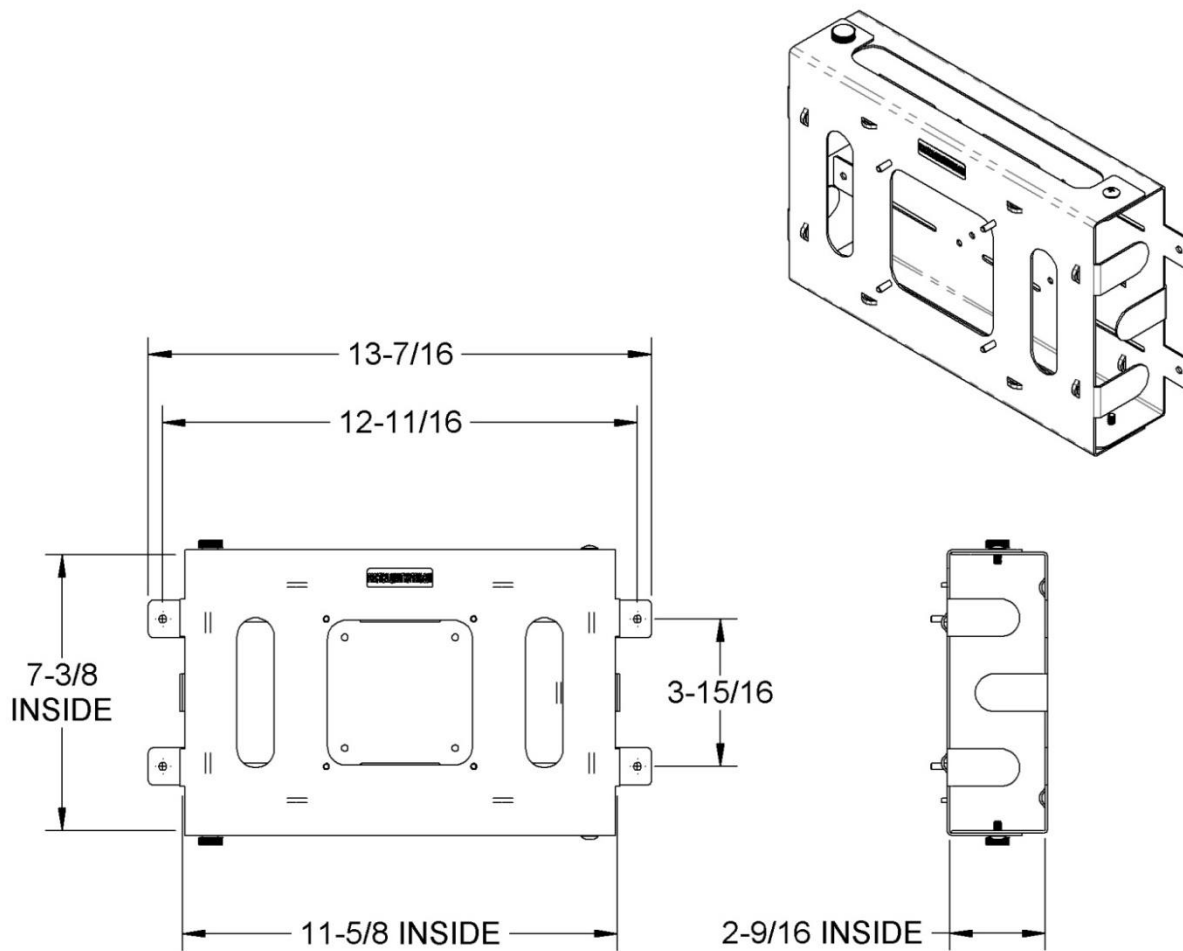
- The Single Position 25lb Wall Mounting Plate with Integral Standoff bracket supports one arm, allows side to side adjustment of the arm and attaches to any flat, smooth vertical surface
- Attach the mounting plate to the Wall or other flat vertical surface with appropriate fasteners.
- The side-to-side pan position resistance is preset at the factory with a 5/16" bolt in the center of the upper standoff plate to allow the arm offset bracket to move freely side to side and should not need adjustment. However, a 1/2" wrench can be used to adjust the tension on this bolt.
- To permanently lock the side-to-side position of the Offset Bracket and arm; loosen the 10-32 Phillips head screw on the top of the Standoff bracket, adjust the side-to-side position of the Offset bracket and arm; tighten the screw into one of the holes in the Offset bracket to secure the new position.
- The Offset Bracket attaches the arm to the Stand Off bracket and allows adjustment of the up and down "Offset angle" of the arm.
- Adjusting the Up and down position of the arm at the Offset bracket: Remove the 1/4" Wire-Lock Clevis Pin from the Offset Bracket to adjust the up and down position of the arm; then reinsert the pin into one of the holes in the Offset bracket and through the arm to secure the new position.
- Note that the mounting plate includes slots along the sides so that it can be attached to poles up to 36" in diameter with our optional strapping kit PN 80801 or any other compatible hose clamps.
- The mounting plate includes multiple slots for cable tie points.

RECOMMENDED INSTALLATION SHOWN WITH A GENERIC CONTROLLER



A partial list of compatible equipment

- Bematech Logic Controls LS8000-KP Kitchen Display System Controller, Logic Controls LS8900 KDS/Industrial Computer, Logic Controls LC8100 KDS/Industrial Computer, Logic Controls LS6100 Kitchen Controller , LC8810 KDS/Industrial Computer.
- LC8710 KDS/Industrial Computer, QSR Automations ePic Controller, QSR Automations xCeed Controller DE-4100, QSR Automations MP9, PAR EverServ, MICROS Oracle KP210, MICROS Oracle DT166, Aloha Radiant Systems Kitchen Display System Controller P823F001.
- NCR KC4 Kitchen Controller, DT Research SA166CR Signage Appliance, Touch Dynamic Saturn Atom PC , Touch Dynamic Razor PC, MicroPlus, Aldelo, PC America , SAM4s Kitchen Video Display System EPAD Controller.
- OnLogic Helix 600, Epson KD-IB01, Advantech UNO-247-J1N1AE, Advantech UNO-2484G Advantech MIC-710A1 AI Inference System, HUNSN I5 4200U, Partaker, Gerui, Stealth LPC-915, Stealth WPC-905, Stealth LPC-490, Stealth LPC-490F , Stealth LPC-915, Stealth LPC-175F, Stealth LPC-810, Stealth LPC-140G4, Stealth LPC-140G4FS, Stealth LPC-815.



OUTSIDE DIMENSIONS ARE 11-3/4 WIDE X 7-5/8 TALL X 2-11/16 DEEP

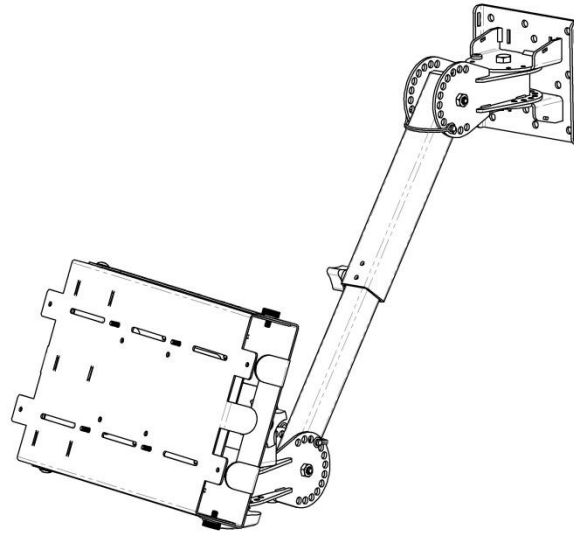
We believe in ethical SEO relevancy; the following section was included to assist the all-knowing algorithms in locating this page; however, some humans like it too.

- VESA wall mount, VESA wall mounting bracket, VESA wall mount bracket, Screen wall mount, screen wall mounting bracket, screen wall mount bracket, monitor wall mount, monitor wall mounting bracket.
- Monitor wall mount bracket, POS terminal wall mount, POS terminal wall mounting bracket, POS terminal wall mount bracket, Point of Sale POS terminal wall mount, Point of Sale terminal wall mounting bracket.
- Point of Sale terminal wall mount bracket, KDS wall mount, KDS wall mounting bracket, KDS wall mount bracket, Kitchen Display System wall mount, Kitchen Display System wall mounting bracket. Kitchen Display System wall mount bracket, Kitchen production System wall mount, Kitchen Monitor wall mount.
- Kitchen video wall mount. Touchscreen wall mount, All in One PC wall mount, Healthcare monitor wall mount, Industrial process monitor wall mount, Kiosk wall mount, Office monitor wall mount, manufacturing process monitor wall mount.



More, yes more...

- Industrial computer Enclosure, Industrial computer VESA Mount, Industrial computer, Industrial computer Housing, industrial computer Mounting bracket, Industrial computer Monitor Mount, Thin client Housing.
- Thin client Enclosure, Mini PC Enclosure, Mini computer Enclosure, Mini computer Housing, Minicomputer Enclosure, Thin client VESA Mount, Mini PC VESA Mount, Mini PC Housing, Mini computer VESA Mount.
- Mini computer Housing, Minicomputer VESA Mount, Minicomputer Housing, thin client Mounting bracket, Mini PC Mounting bracket, Mini computer Mounting bracket, minicomputer Mounting bracket, Thin client Mount, Mini PC Mount.
- Mini computer Mount, minicomputer Mount, Thin client Monitor Mount, Mini PC Monitor Mount, Mini computer Monitor Mount, Minicomputer Monitor Mount, Thin client Mounting bracket, Mini PC Mounting bracket.
- Mini computer Mounting bracket, Minicomputer Mounting bracket, KDS controller Enclosure, KDS controller Housing, KDS controller VESA Mount, KDS controller Mounting bracket, KDS controller Mount, KDS controller Monitor Mount.
- Kitchen display System controller Enclosure, Kitchen display System controller Housing, Kitchen display System controller VESA Mount, Kitchen display System controller Mounting bracket, Kitchen display System controller Mount.
- Kitchen display System controller Monitor Mount, LITTLEPCS Enclosure, LITTLEPCS Housing, LITTLEPCS VESA Mount, LITTLEPCS Mounting bracket, LITTLEPCS Mount, LITTLEPCS Monitor Mount, Small Form Factor PCs Enclosure.
- Small Form Factor PCs Housing, Small Form Factor PCs VESA Mount, Small Form Factor PCs Mounting bracket, Small Form Factor PCs Mount, Small Form Factor PCs Monitor Mount.



Partial list of Compatible Touchscreen Monitors

- elo Touchscreen Monitor 0702L, 1002L, 1302L, 1502L, 2002L, 2202L, 2201L, 2402L, 2702L, 1515L, 1517L, 1523L, 1715L, 1717L, 1723L, 1902L, 1915L.
- elo Touchscreen Monitor Medical Grade 1903LM, 2203LM 22", 2403LM 24", 2703LM 27".
- Viewsonic Touch screens TD3207, TD1630-3, TD2223, TD2230, TD2423, TD2430, TD2760.
- Beetratics Inc. touchscreens 7TS7M, 8TSV7M, 10TS7, 10TSV7M, 10TS7M, 12TS7, 12TSV7M, 12TS7M, 13TS7, 13TS7M, 15TS7, 15TSV7M, 15TS7M, 17TSV7M, 17TS7M, 19TSV7M, 19TS7M, 22TS7M, 24TS7M.
- Planar Touch Screen Monitors Helium PCT2265, PT2245PW, Helium PCT2235, PXL2230MW, PT1945P, PT1945R, PT1745P, PT1545P, PT1545R.

Interactive Catalog of QSR KDS Mounting Solutions

These mounts are included in the [“QSR KDS Mounting Solutions”](#) product group pages on our website. For more information; click on the images or descriptions to visit the individual product pages on our website. PDF Product Information Sheets are available at the Product Attachments tab on each product page.

[Practical Quality Systems Home Page](#)



[PN 90320-QSR - Basic Wall Mount KDS Support Package for any VESA Monitor + QSR Controller + QSR Bump Bar](#)



[PN 90321-QSR - Basic Wall Mount KDS Support Package for an Elo Touchscreen + QSR Controller](#)



[PN 90330-QSR - Fully Articulated Wall Mount KDS Support Package for any VESA Monitor + QSR Controller + QSR Bump Bar](#)



[PN 90331-QSR - Fully Articulated Wall Mount KDS Support Package for an Elo Touchscreen + QSR Controller](#)



[PN 90340-QSR - Basic Shelf Edge KDS Support Package for any VESA Monitor + QSR Controller + QSR Bump Bar](#)



[PN 90341-QSR - Basic Shelf Edge KDS Support Package for an Elo Touchscreen + QSR Controller](#)



[PN 90350-QSR - Fully Articulated Shelf Edge KDS Support Package for any VESA Monitor + QSR Controller + QSR Bump Bar](#)



[PN 90351-QSR - Fully Articulated Shelf Edge KDS Support Package for an Elo Touchscreen + QSR Controller](#)

Interactive Catalog of Product Sub Groups

There are many individual products included in the various product sub groups featured on these pages.

Click on the images or descriptions to visit the individual product sub group pages on our website.

For Information about individual products; click on the "Product Attachments" tab on each of the individual product pages.

[Practical Quality Systems Home Page](#)



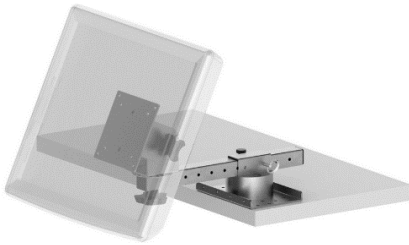
[Wall Mounts for Screens](#)



[Wall Mounts for POS Printers](#)



[Wall Mounts for Screens and POS Printers](#)



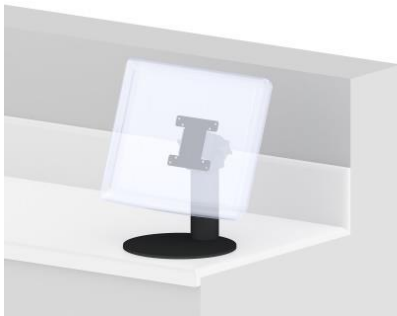
[Shelf Edge Mounts for Screens](#)



[Shelf Edge Mounts for POS Printers](#)



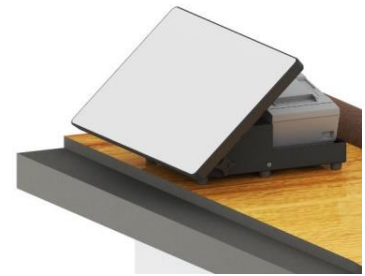
[Shelf Edge Mounts for Screens and POS Printers](#)



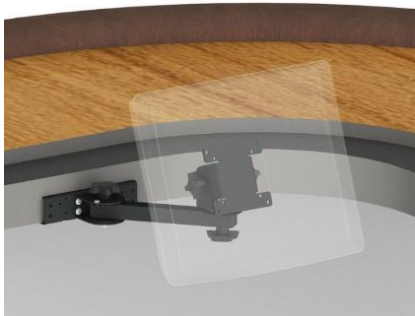
[Counter Top Mounts for Screens](#)



[Counter Top Mounts for POS Printers](#)



[Counter Top Mounts for Screens and POS Printers](#)



[Under Counter Mounts for Screens](#)



[Under Counter Mounts for POS Printers](#)



[Under Counter Mounts for Screens and POS Printers](#)

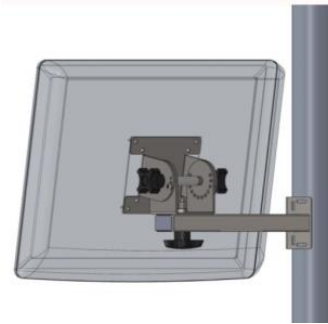
Interactive Catalog of Product Sub Groups

There are many individual products included in the various product sub groups featured on these pages.

Click on the images or descriptions to visit the individual product sub group pages on our website.

For Information about individual products; click on the "Product Attachments" tab on each of the individual product pages.

[Practical Quality Systems Home Page](#)



[Pole Mounts for Screens](#)



[Pole Mounts for POS Printers](#)



[Ceiling Mounts for Screens](#)



[Oracle MICROS Mounting Systems](#)



[NCR Aloha KDS Mounting Solutions](#)



[QSR KDS Mounting Solutions](#)



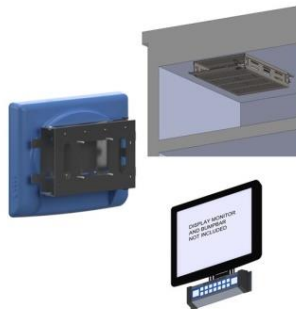
[Logic Controls Bematech KDS Mounting Solutions](#)



[Universal Kitchen Display System Mounting Packages](#)



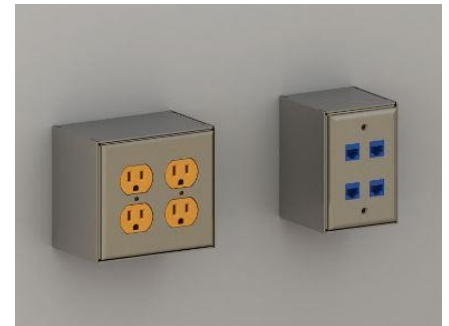
[Enclosures for Touchscreen, Monitors and Thin Clients](#)



[Back Of Screen VESA Mounts for Controllers, Thin Clients, Bump Bars, Tap+ Touch + EMV Readers](#)



[Stainless Steel Wireways](#)



[Stainless Steel Power and Data Outlet Monuments](#)

Interactive Catalog of Product Sub Groups

There are many individual products included in the various product sub groups featured on these pages.

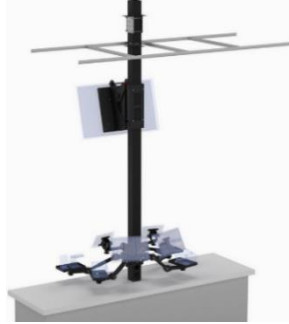
Click on the images or descriptions to visit the individual product sub group pages on our website.

For Information about individual products; click on the "Product Attachments" tab on each of the individual product pages.

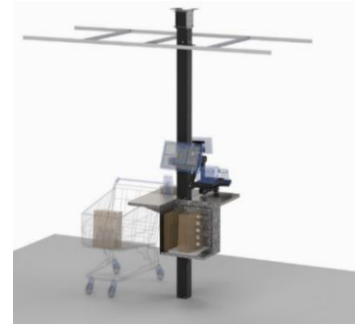
[Practical Quality Systems Home Page](#)



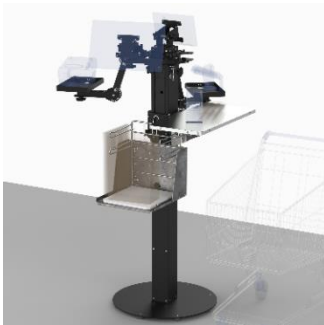
[Movable Countertop POS Stands](#)



[Direct Mount Countertop POS Stands](#)



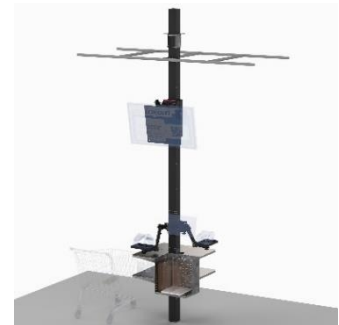
[POS Cashier Pole Stands](#)



[POS Cashier Floor Stands](#)



[POS Self-Check Out Kiosk Floor Stands](#)



[POS Self-Check Out Kiosk Pole Stands](#)



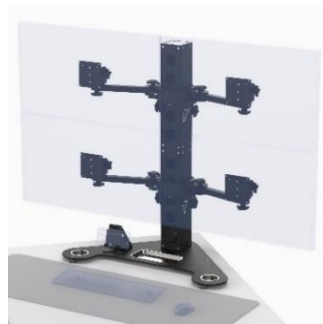
[Take Out Pickup Pole Stands](#)



[Take Out Pickup Floor Stands](#)



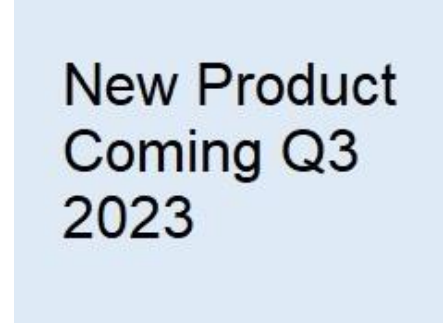
[Information Kiosk Floor Stands](#)



[Desktop Multi-Screen Pedestal Stands](#)



[4X4 Pole Clamp on Mounts](#)



[Mobile Cashier Stands](#)

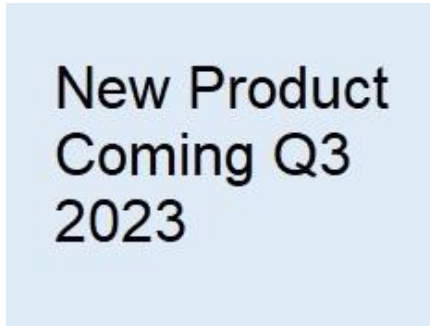
Interactive Catalog of Product Sub Groups

There are many individual products included in the various product sub groups featured on these pages.

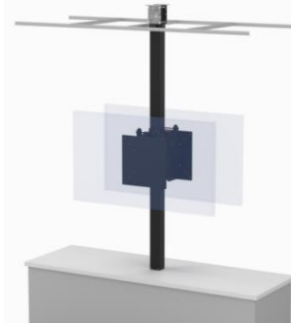
Click on the images or descriptions to visit the individual product sub group pages on our website.

For Information about individual products; click on the "Product Attachments" tab on each of the individual product pages.

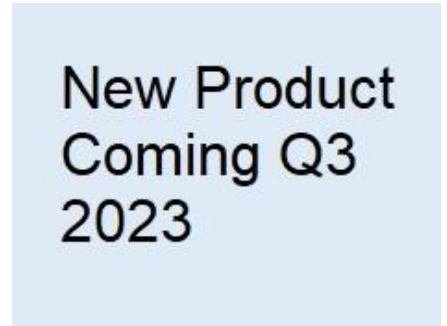
[Practical Quality Systems Home Page](#)



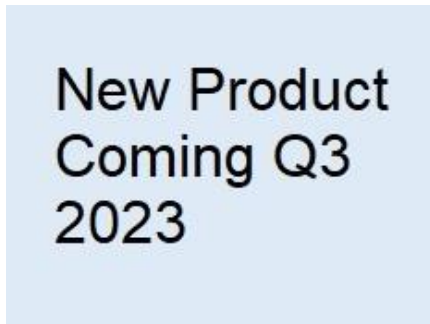
Mobile Self-Check Out Stands



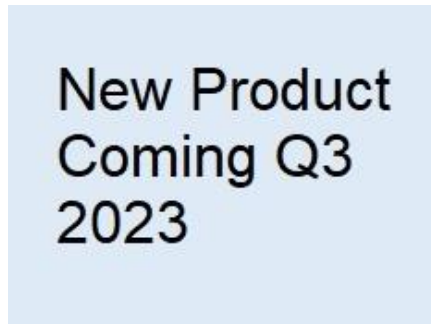
[Digital Signage Pole Stands](#)



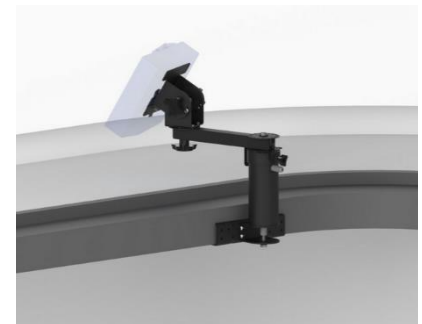
Stationary Podiums



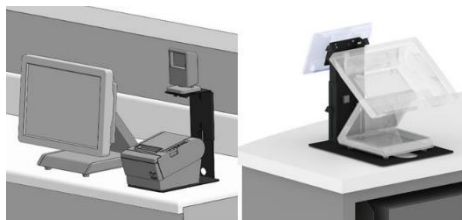
Stationary Podiums with Ceiling Feed Pole



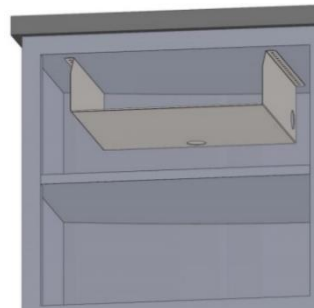
Mobile Podiums



[Ingenico Lane Reader Mounting Systems](#)



[Other Counter Top Mounts](#)



[Cash Drawer Mounting Solutions](#)