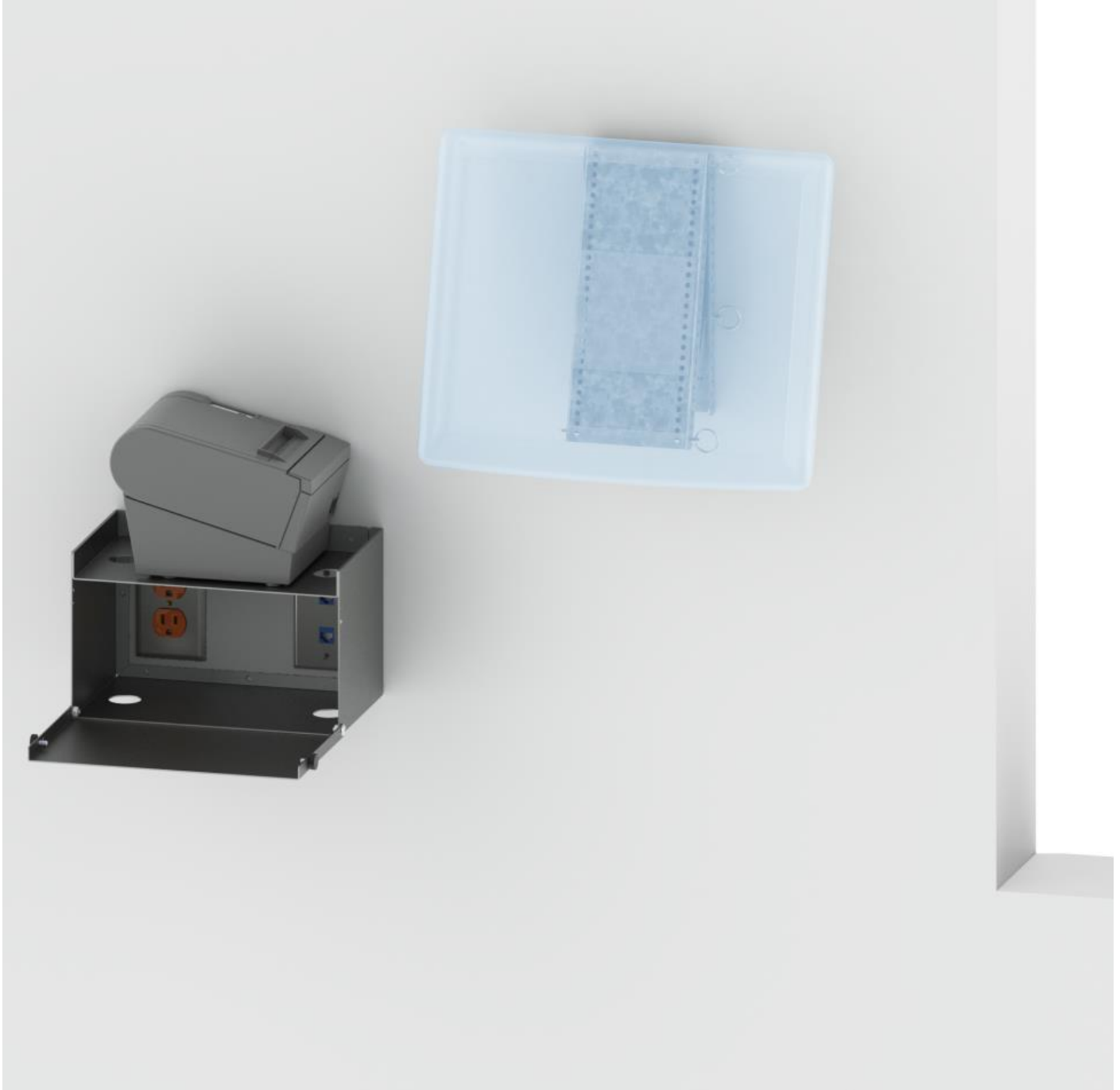
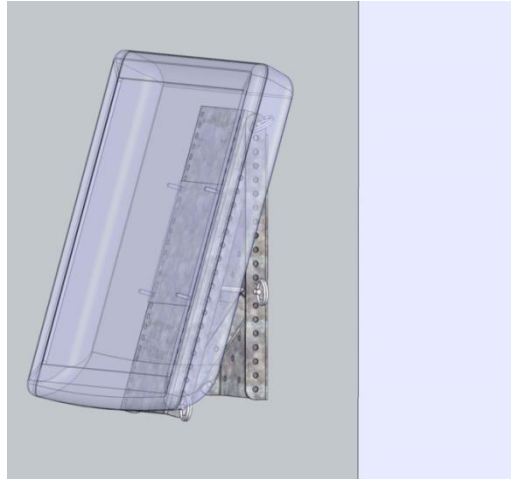


**PQS**

**PRACTICAL QUALITY SYSTEMS**  
*Fast Custom Manufacturing - Nationwide Installation Services*



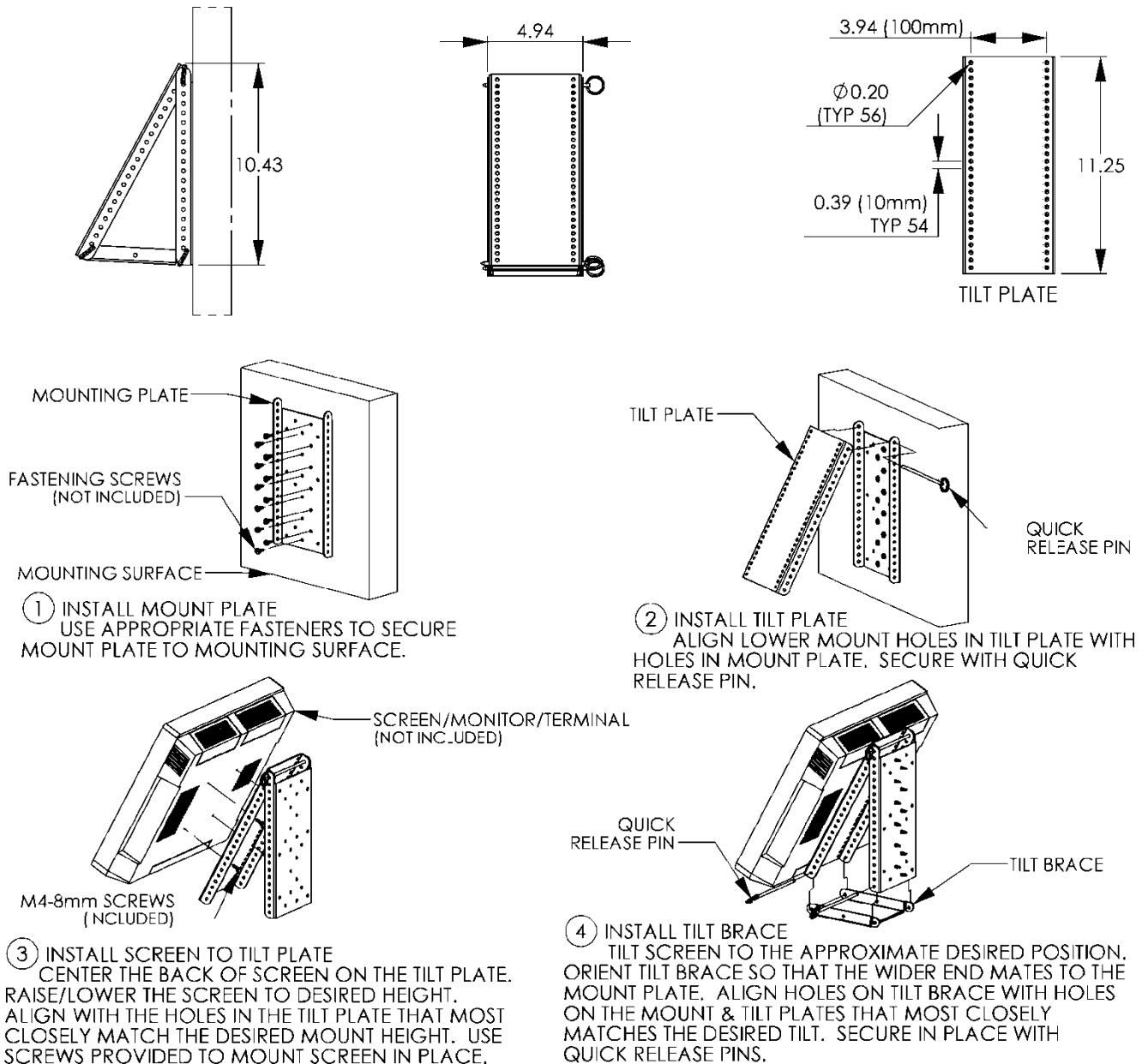
Printer and display screen not included



## General Features

- These mounting packages are designed to offer a simplified selection of the components needed to support your Point of Sale equipment.
- These mounting packages include components which are also available separately. Each individual component of the package is listed on this Product Information Sheet.
- This package includes: PN 80942 Tilting Wall Mount 100mm VESA and PN 80691-BLK Printer Wall Mount with Storage Compartment.
- Purchasing these components as a package automatically qualifies for a discounted price over purchasing the components separately. The discounted package price may not be combined with any other discount programs.
- These mounting packages are only a small sample of the many products and options we have available. Please contact our sales team if you would like us to help assemble a custom package specific to your application.
- This mounting package can be used as a universal tilting wall mounting system with printer mount for any 75/100mm VESA compatible screen and a standard sized POS printer for Point of Sale / POS, Kitchen Display Systems / KDS in commercial kitchens, retail, restaurants, offices, industry, shops, medical, maritime, schools, laboratory and many other applications.
- Includes a separate wall mount printer shelf with integral storage compartment that can be mounted on any flat, vertical surface.
- The Tilting Wall Mount hardware and bracket supports touch screens, terminals or flat panel monitors up to 35LBs.
- The Tilting Wall Mount can be attached to any flat, horizontal or vertical surface in multiple configurations.
- Tilting Wall Mount adjusts without tools to lock the screen at any position or up and down allowing for a wide range of screen locations.
- Tilting Wall Mount is made of 14 gauge galvanized steel to resist harsh environments.
- Includes 4 each M4 X 10mm long VESA mounting screws.

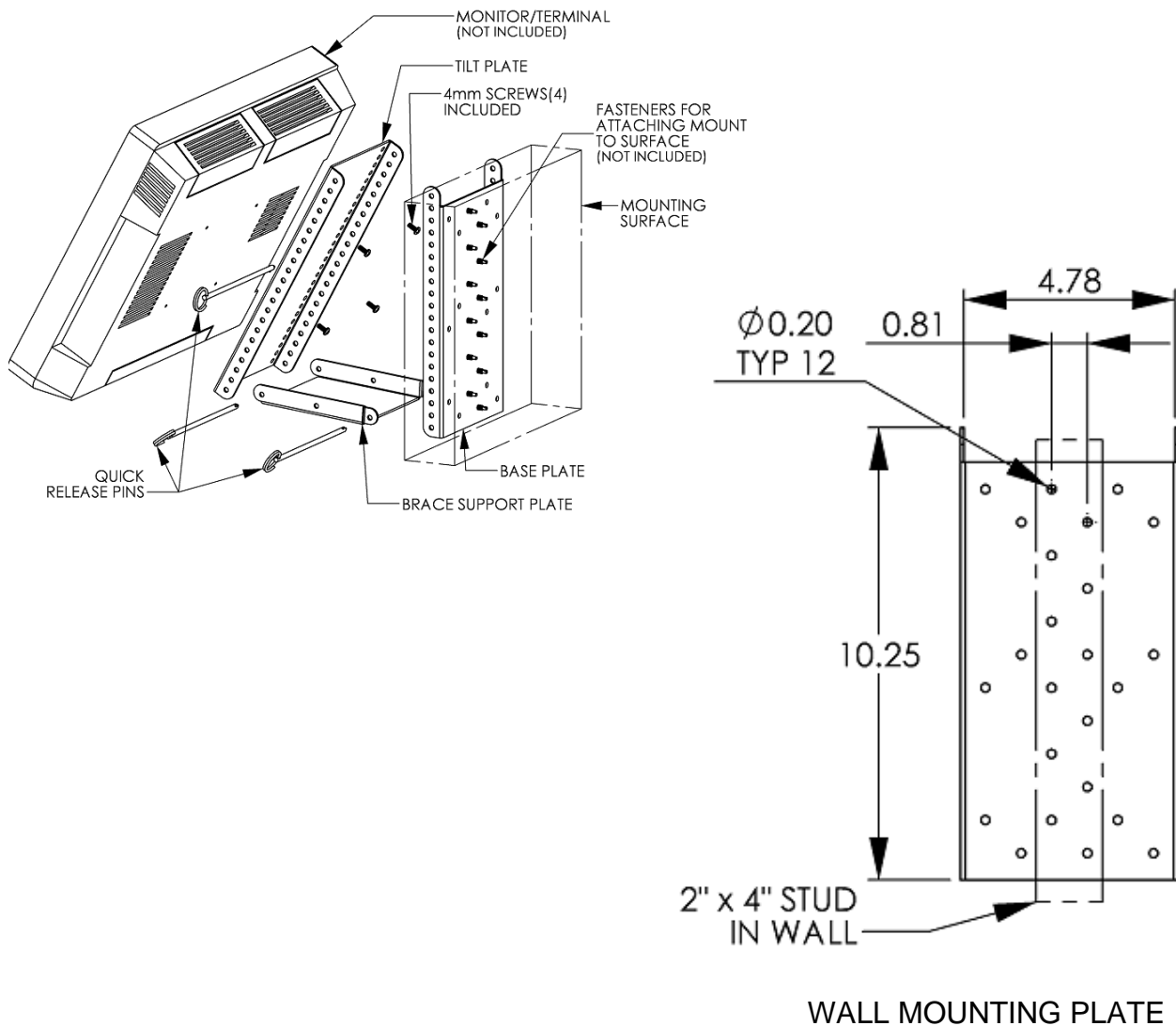
# PN 90520 Universal VESA Screen Tilting Wall Mount with Printer Shelf



**We believe in ethical SEO relevancy; the following section was included to assist the all-knowing algorithms in locating this page; however, some humans like it too.**

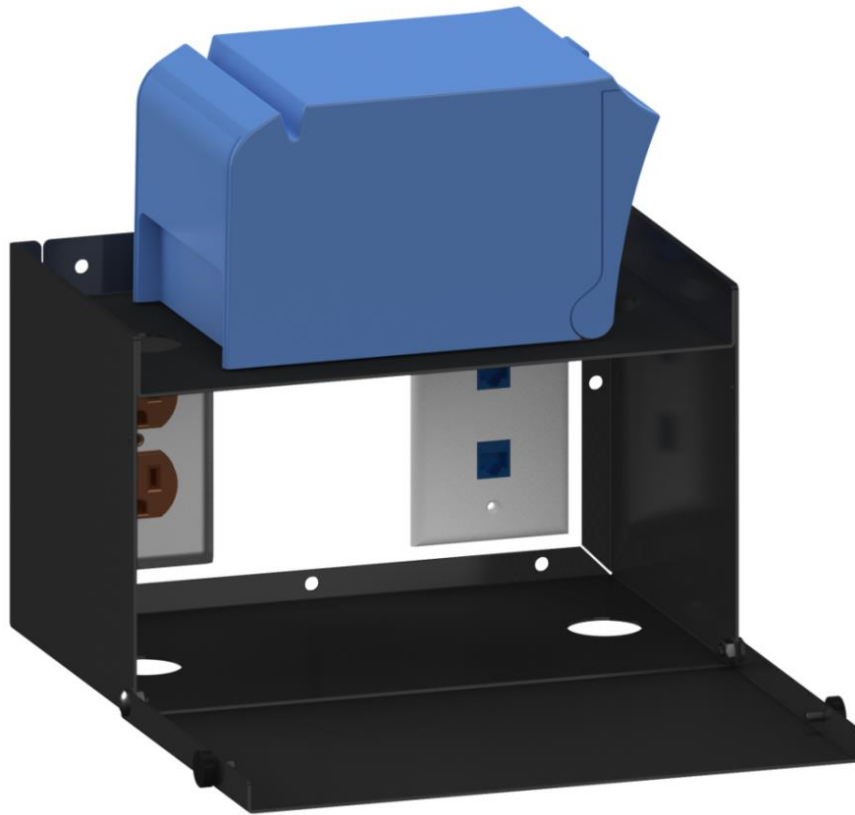
- VESA wall mount, VESA wall mounting bracket, VESA wall mount bracket, Screen wall mount, screen wall mounting bracket, screen wall mount bracket, monitor wall mount, monitor wall mounting bracket.
- Monitor wall mount bracket, POS terminal wall mount, POS terminal wall mounting bracket, POS terminal wall mount bracket, Point of Sale POS terminal wall mount, Point of Sale terminal wall mounting bracket.
- Point of Sale terminal wall mount bracket, KDS wall mount, KDS wall mounting bracket, KDS wall mount bracket, Kitchen Display System wall mount, Kitchen Display System wall mounting bracket. Kitchen Display System wall mount bracket, Kitchen production System wall mount, Kitchen Monitor wall mount.
- Kitchen video wall mount. Touchscreen wall mount, All in One PC wall mount, Healthcare monitor wall mount, Industrial process monitor wall mount, Kiosk wall mount, Office monitor wall mount, manufacturing process monitor wall mount.

## PN 90520 Universal VESA Screen Tilting Wall Mount with Printer Shelf



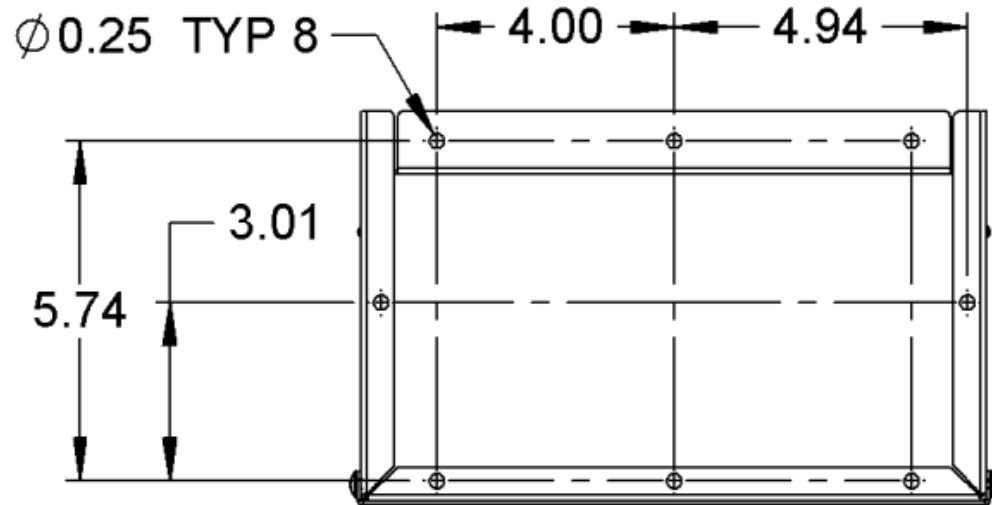
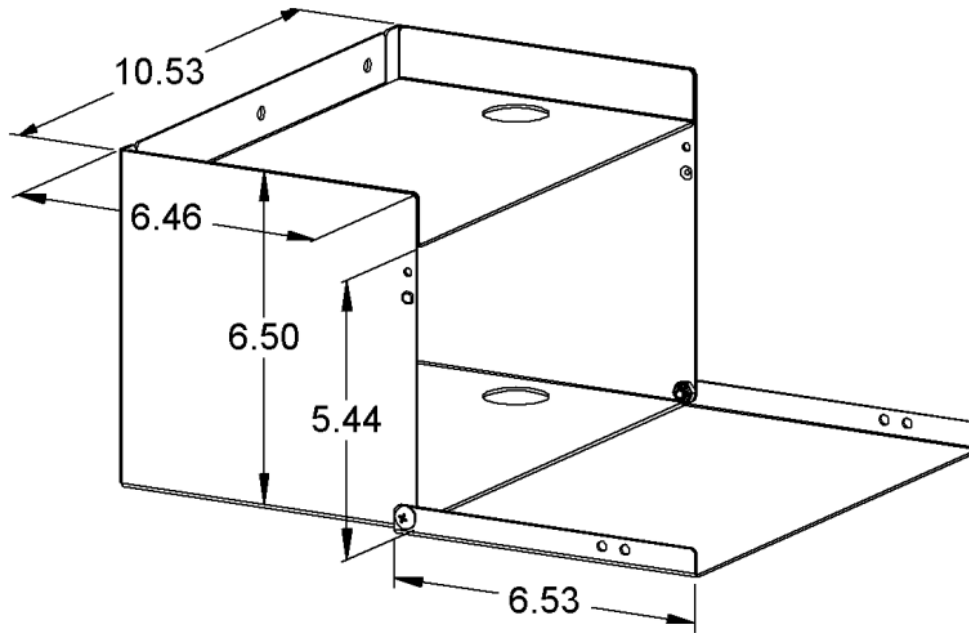
### Partial list of Compatible Touchscreen Monitors

- elo Touchscreen Monitor 0702L, 1002L, 1302L, 1502L, 2002L, 2202L, 2201L, 2402L, 2702L, 1515L, 1517L, 1523L, 1715L, 1717L, 1723L, 1902L, 1915L.
- elo Touchscreen Monitor Medical Grade 1903LM, 2203LM 22", 2403LM 24", 2703LM 27".
- Viewsonic Touch screens TD3207, TD1630-3, TD2223, TD2230, TD2423, TD2430, TD2760.
- Beetrionics Inc. touchscreens 7TS7M, 8TSV7M, 10TS7, 10TSV7M, 10TS7M, 12TS7, 12TSV7M, 12TS7M, 13TS7, 13TS7M, 15TS7, 15TSV7M, 15TS7M, 17TSV7M, 17TS7M, 19TSV7M, 19TS7M, 22TS7M, 24TS7M.
- Planar Touch Screen Monitors Helium PCT2265, PT2245PW, Helium PCT2235, PXL2230MW, PT1945P, PT1945R, PT1745P, PT1545P, PT1545R.



### Printer Wall Mount with Storage Compartment Features PN 80691

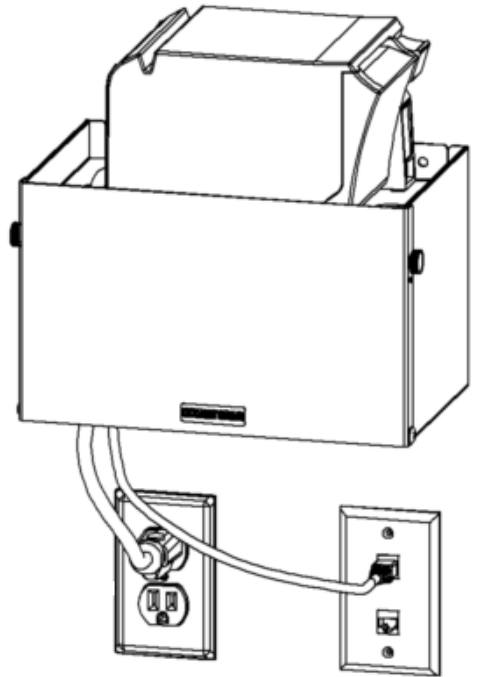
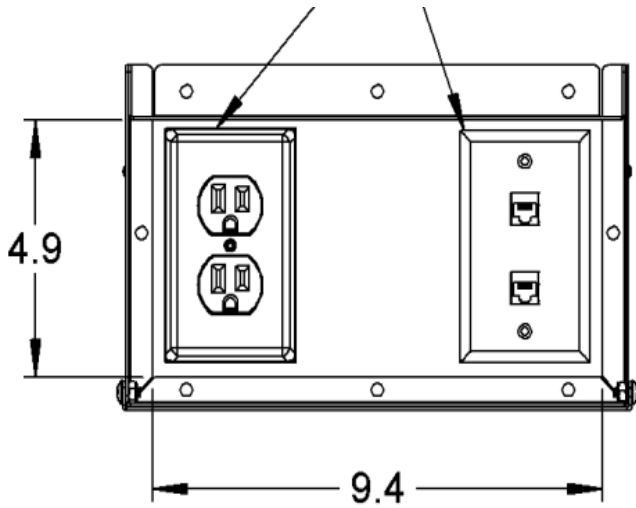
- Attaches to any flat, vertical surface and supports most standard POS printers.
- The storage compartment below the printer tray creates a concealed area for storing the printer power supply, power and data cabling or even a spare roll of paper.
- Standard power and data outlets can be installed concealed on the wall within the cut out section of the rear panel of the storage compartment.
- Two detents allow the storage compartment door to be opened or closed without tools or fasteners. Install the included thumbscrews for a more secure closure. Two optional security screws (hardware kit PN 79901) can be installed in place of the thumbscrews for added security. Please request these screws upon ordering.
- Two cable passage holes on the top of the printer tray allow power and cable cables to be routed directly down into storage compartment and be completely concealed.
- Two cable passage holes on the bottom of storage compartment allow power and cable cables to be routed to outlets outside of the compartment.
- This assembly supports up to 15 lbs.
- Made from 16 gauge steel and finished with a durable, black, low gloss, micro wrinkle powder coat that resists fingerprints.



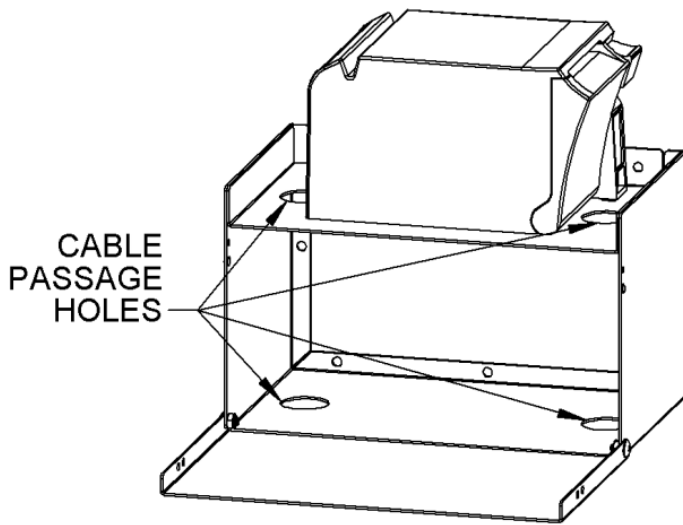
### MOUNTING HOLES

- The interior dimensions of the printer tray are 10¼" long by 6½" wide by 1" tall
- The interior dimensions of the storage compartment are 10-3/8" long by 6½" wide by 5½" tall
- The dimensions of the cut out section in the rear panel of the storage compartment are 9.4" long by 4.9" tall

POWER AND DATA OUTLETS  
CAN BE INSTALLED INSIDE OF  
THE STORAGE COMPARTMENT



POWER AND DATA OUTLETS CAN BE  
INSTALLED OUTSIDE OF THE STORAGE  
COMPARTMENT WITH CABLES ROUTED  
THROUGH THE CABLE PATH HOLES



**We believe in ethical SEO relevancy; the following section was included to assist the all-knowing algorithms in locating this page; however, some humans like it too.**

Printer wall bracket, printer wall mount, printer wall mount bracket, printer wall mounting bracket, Printer Tray, Printer Shelf, Kitchen printer, restaurant printer, POS printer, Point of Sale printer, Epson Printer shelf, Healthcare printer, Industrial printer, ID printer, Office printer, Manufacturing printer.

**This printer mounting system is compatible with the following POS Printers:**

- Note: interior dimensions of the Printer Tray = 6½" W X 10¼" L X 1" D.
- Anser U2, Brother QL 800, Brother PTP700, Citizen CT-E351, Clover P500, Clover Mini, Custom America CT-E351, Dymo LabelWriter 450, Dymo LabelWriter Wireless, Dymo LabelManager PnP, Epson TM-T88V/VI, Epson TM- T20II, Epson TM - L90, EpsonTM-U220 Type B & D, POS-X Evo HiSpeed, Rollo Printer, Sato FX3-LX, Sato WS2, Square Terminal, Star Micronics mC-Print3.

**Partial list of Compatible Touchscreen Computers, Interactive displays, All-in-One PCs**

- elo Touchscreen Computer and Interactive displays 10-inch I-Series 4 for Android E389883, E411266, E390647, E411643.
- elo Touchscreen Computer and Interactive displays 15-inch I-Series 4 for Android E390075, E412033, E391032, E412421.
- elo Touchscreen Computer and Interactive displays 22-inch I-Series 4 for Android E390263, E412818, E391414, E413211.
- elo Touchscreen Computer and Interactive displays 15-inch I-Series for Windows (2.0) E691852, E692048, E850204, E850003, E692244, E692448.
- elo Touchscreen Computer and Interactive displays 22-inch I-Series for Windows (2.0) E692640, E692837, E850591, E850387, E693022, E693211.
- elo 15-inch (4:3) EloPOS Systems E931330, E931524, E590979, E494164, E587032, E931706, E931896, E590570, E494361, E932090, E932274, E407443, E485078, E590763.
- elo 15-inch (16:9) EloPOS Systems E440439, E440234, E397891, E441010, E440808, E441385, E441193, E441781, E441575, E262258, E397698, E263402, E442161, E441968, E442550, E442365, E892954, E841559, E877703, E892761, E935572, E935367, E841357, E395937, E935967, E935775, E407627, E880567, E396134, E727037, E936365, E936163, E936750, E936556, E536624, E939305, E939498.
- elo 17-inch (5:4) EloPOS Systems E402183, E401992, E485278, E484096, E491271, E402576, E402382, E484495, E484291, E491458, E402963, E402781, E484700, E484896.
- 22-inch EloPOS Systems E937154, E936953, E413988, E414192, E511988, E937523, E937340, E612017, E375459, E410884, E910541, E397507, E511785, E937919, E937720, E938297, E938113, E560404, E417915.
- Dell All-in-one OptiPlex 3290, OptiPlex 3090, OptiPlex 7490, OptiPlex 7780, OptiPlex 5480, OptiPlex 5490, Inspiron 24 5000, Inspiron 27 7000.
- HP, HP Chromebase, Envy, AIO, Pavilion, Office 365, All-in-One - 2Z1Z3AV\_1, 20W72AA#ABA, 20W60AA#ABA, 3UQ98AA#ABA, 20W59AA#ABA, 20W58AA#ABA, 3UR17AA#ABA, 20W57AA#ABA, 10M73AV\_1, 8AJ56AV\_1, 3UR10AA#ABA, 20W66AA#ABA, 3UQ97AA#ABA, 22\_AiO\_O365P\_Kit, 3UQ96AA#ABA, 8AJ03AV\_1, 3UR18AA#ABA, 3UR02AA#ABA.
- Lenovo IdeaCentre, ThinkCentre F0E5002DUS, F0FQ0008US, F0EX0001US, F0FB001RUS, F0FB0077US, F0FB007FUS.
- Cybernet iOne S24, iOne S22, iOne S20, iOne S19.

**This screen mounting system is compatible with the following POS systems :**

- Lightspeed, logic controls, NCR, elotouch, posiflex, Poster POS, ehopper, Beetronics, Tysso, favpng, Touch Dynamic, FastSpring, CAKE, Erply, Sapaad, Upserve, Salesforce Commerce Cloud, Block, Miva Merchant, Epos Now, QuickBooks POS, Shopify, VEND, Revel, Clover, CovaPOS, Oracle NETSUITE, MICROS, GoDaddy, Helcim, Epos Now, Upserve POS, Elo, CardConnect, NCR, ALOHA, SQUARE, Posnation, KORONA POS, BEMETECH, toast, Touchbistro, LAVU, Partnertech.

## PN 90520 Universal VESA Screen Tilting Wall Mount with Printer Shelf

### Interactive Catalog of Wall Mounts for Screens and POS Printers

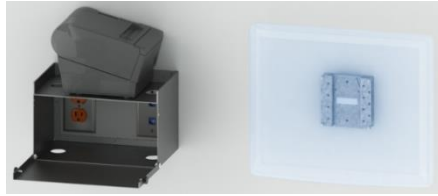
These mounts are included in the "[Wall Mounts for Screens and POS Printers](#)" product group pages on our website. For more information; click on the images or descriptions to visit the individual product pages on our website.

PDF Product Information Sheets are available at the Product Attachments tab on each product page.

[Practical Quality Systems Home Page](#)



[PN 90500 - Universal VESA screen wall mount with arm and a printer shelf](#)



[PN 90510 - Universal VESA screen flat wall mount and a printer shelf](#)



[PN 90520 - Universal VESA screen tilting wall mount with a printer shelf](#)



[PN 90530 - Universal VESA screen tilting wall mount and a printer tray with an arm](#)



[PN 90540 - Universal VESA screen flat wall mount and a printer tray with an arm](#)



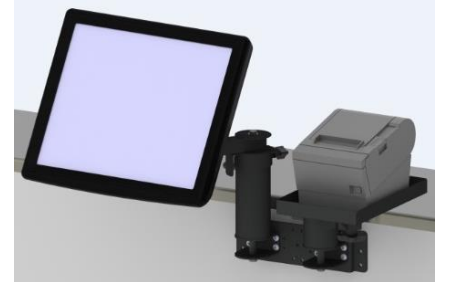
[PN 80003 - Wall Mount with two 8" arms, a 75/100mm Screen Pan and Tilt Head, and a Flat Printer Tray](#)



[PN 80026 - Wall Mount with two 6" Risers, two 8" Arms, a 75/100mm VESA Screen Pan and Tilt Head, & a Flat Printer Tray](#)



[PN 80027 - Wall Mount with two 3" Risers, two 8" Arms, a 75/100mm VESA Screen Pan and Tilt Head, & a Flat Printer Tray](#)



[PN 80028 - Wall Mount with a 3" and a 6" Riser, two 8" Arms, a 75/100mm VESA Screen Pan and Tilt Head, & a Flat Printer Tray](#)

### Interactive Catalog of Product Sub Groups

There are many individual products included in the various product sub groups featured on these pages.

Click on the images or descriptions to visit the individual product sub group pages on our website.

For Information about individual products; click on the "Product Attachments" tab on each of the individual product pages.

[Practical Quality Systems Home Page](#)



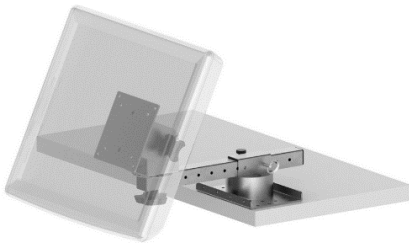
[Wall Mounts for Screens](#)



[Wall Mounts for POS Printers](#)



[Wall Mounts for Screens and POS Printers](#)



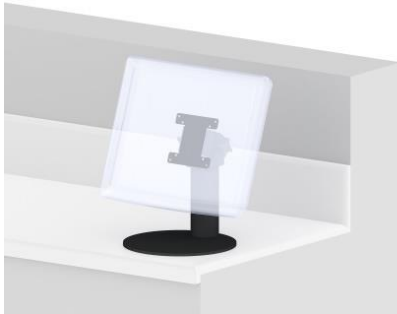
[Shelf Edge Mounts for Screens](#)



[Shelf Edge Mounts for POS Printers](#)



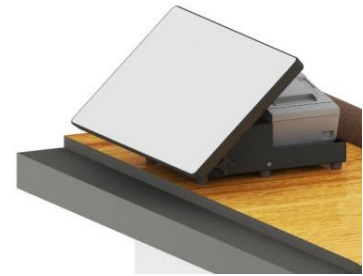
[Shelf Edge Mounts for Screens and POS Printers](#)



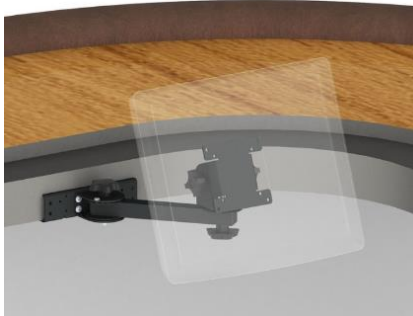
[Counter Top Mounts for Screens](#)



[Counter Top Mounts for POS Printers](#)



[Counter Top Mounts for Screens and POS Printers](#)



[Under Counter Mounts for Screens](#)



[Under Counter Mounts for POS Printers](#)



[Under Counter Mounts for Screens and POS Printers](#)

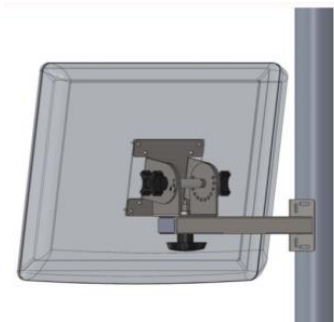
### Interactive Catalog of Product Sub Groups

There are many individual products included in the various product sub groups featured on these pages.

Click on the images or descriptions to visit the individual product sub group pages on our website.

For Information about individual products; click on the "Product Attachments" tab on each of the individual product pages.

[Practical Quality Systems Home Page](#)



[Pole Mounts for Screens](#)



[Pole Mounts for POS Printers](#)



[Ceiling Mounts for Screens](#)



[Oracle MICROS Mounting Systems](#)



[NCR Aloha KDS Mounting Solutions](#)



[QSR KDS Mounting Solutions](#)



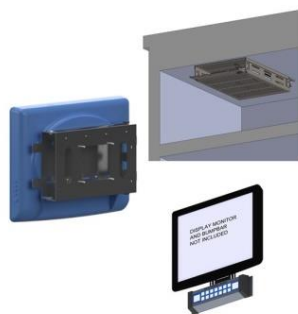
[Logic Controls Bematech KDS Mounting Solutions](#)



[Universal Kitchen Display System Mounting Packages](#)



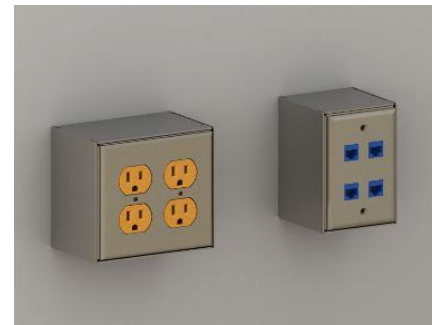
[Enclosures for Touchscreen, Monitors and Thin Clients](#)



[Back Of Screen VESA Mounts for Controllers, Thin Clients, Bump Bars, Tap+ Touch + EMV Readers](#)



[Stainless Steel Wireways](#)



[Stainless Steel Power and Data Outlet Monuments](#)

### Interactive Catalog of Product Sub Groups

There are many individual products included in the various product sub groups featured on these pages.

Click on the images or descriptions to visit the individual product sub group pages on our website.

For Information about individual products; click on the "Product Attachments" tab on each of the individual product pages.

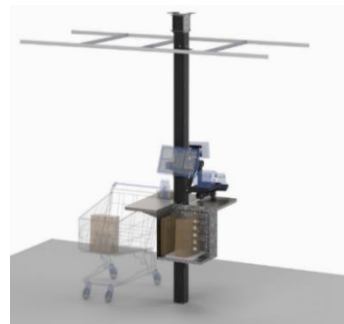
[Practical Quality Systems Home Page](#)



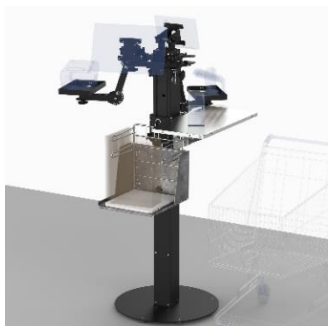
[Movable Countertop POS Stands](#)



[Direct Mount Countertop POS Stands](#)



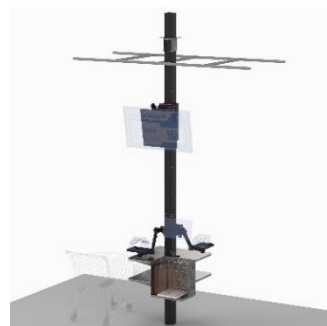
[POS Cashier Pole Stands](#)



[POS Cashier Floor Stands](#)



[POS Self-Check Out Kiosk Floor Stands](#)



[POS Self-Check Out Kiosk Pole Stands](#)



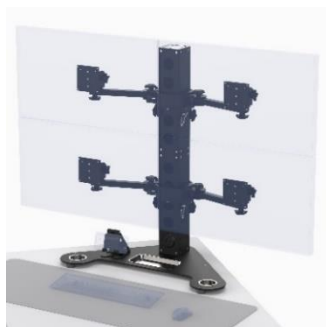
[Take Out Pickup Pole Stands](#)



[Take Out Pickup Floor Stands](#)



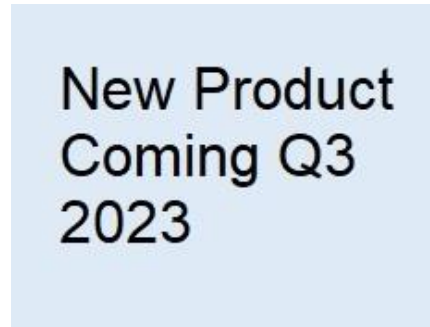
[Information Kiosk Floor Stands](#)



[Desktop Multi-Screen Pedestal Stands](#)



[4X4 Pole Clamp on Mounts](#)



[Mobile Cashier Stands](#)

### Interactive Catalog of Product Sub Groups

There are many individual products included in the various product sub groups featured on these pages.

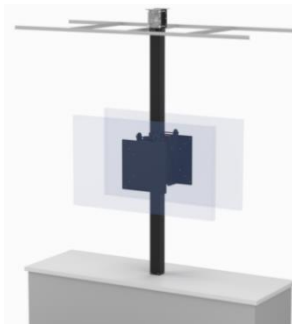
Click on the images or descriptions to visit the individual product sub group pages on our website.

For Information about individual products; click on the "Product Attachments" tab on each of the individual product pages.

[Practical Quality Systems Home Page](#)

New Product  
Coming Q3  
2023

[Mobile Self-Check Out Stands](#)



[Digital Signage Pole Stands](#)

New Product  
Coming Q3  
2023

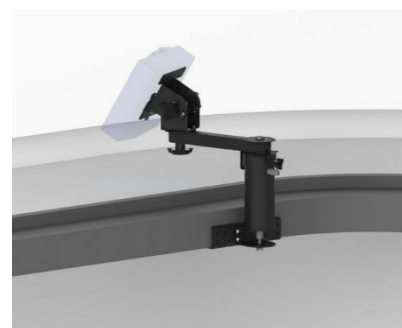
[Stationary Podiums](#)

New Product  
Coming Q3  
2023

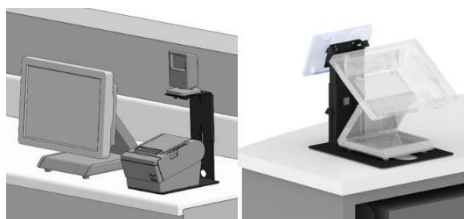
[Stationary Podiums with Ceiling Feed Pole](#)

New Product  
Coming Q3  
2023

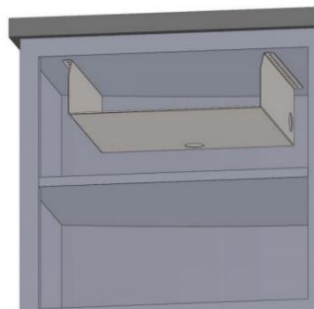
[Mobile Podiums](#)



[Ingenico Lane Reader Mounting Systems](#)



[Other Counter Top Mounts](#)



[Cash Drawer Mounting Solutions](#)