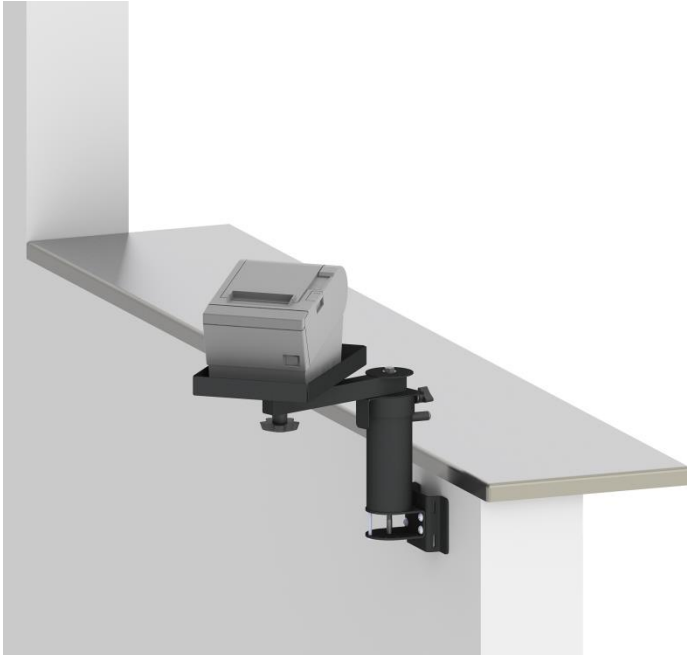
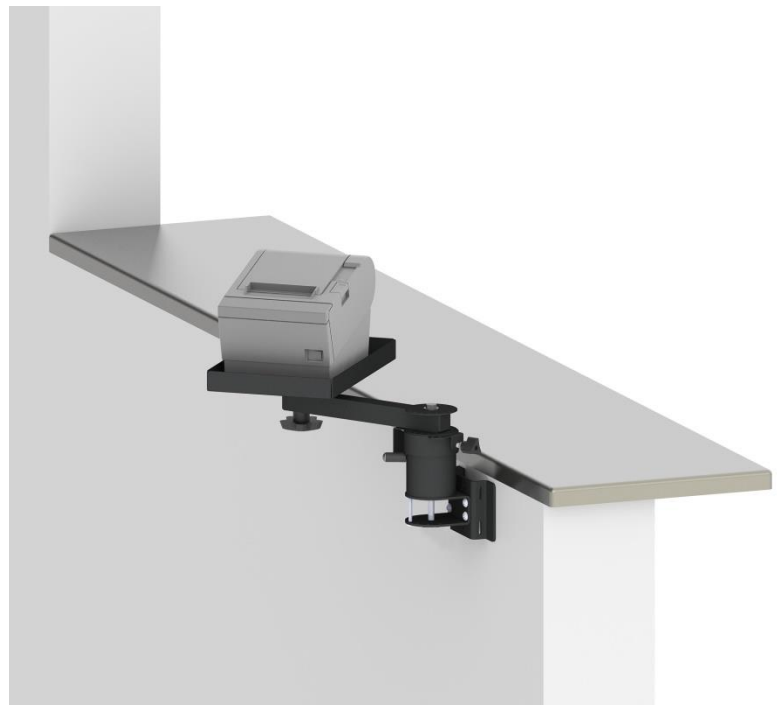


PQS

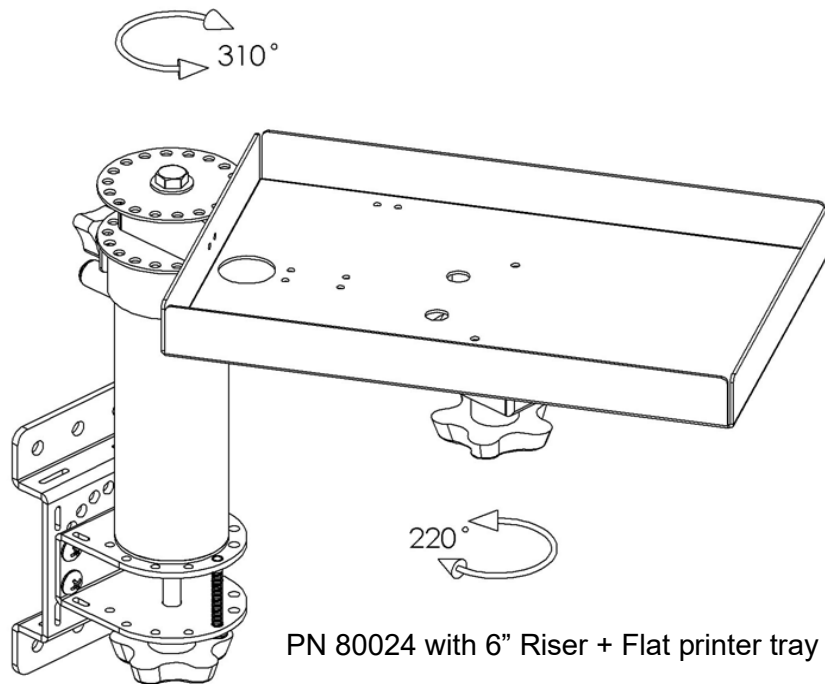
PRACTICAL QUALITY SYSTEMS
Fast Custom Manufacturing - Nationwide Installation Services



PN 80024 with 6" Riser + Flat printer tray



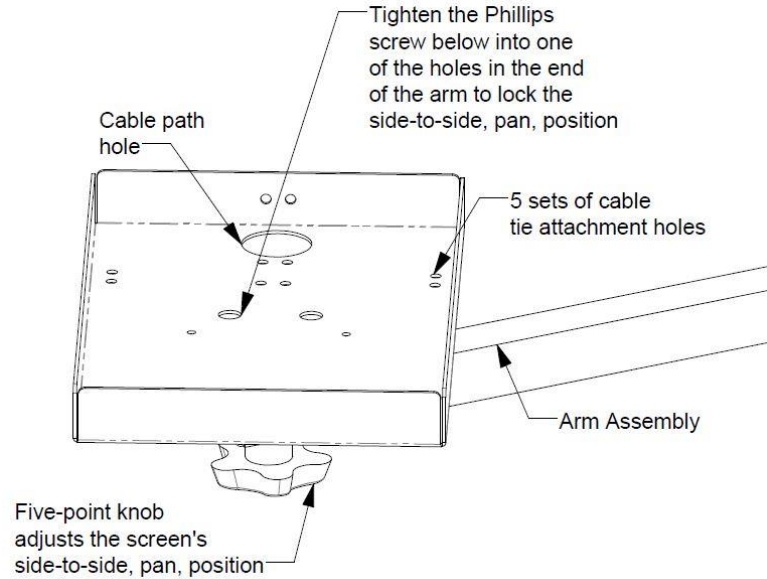
PN 80025 with 3" Riser + Flat printer tray



PN 80024 with 6" Riser + Flat printer tray

General Features

- This wall mount can be used as a universal support system for most standard printers used for Point of Sale / POS, Kitchen Display Systems / KDS in commercial kitchens, retail, restaurants, offices, industry, shops, medical, maritime, schools, laboratory and many other applications.
- An innovative set of joint assemblies allow two axis of position adjustment on each arm when attached to a wall or other vertical surface.
- Beyond having flexible articulation; this mount has the key feature of being easily LOCKED in any desired screen position; this ability is VERY important when using touch screen equipment as it PREVENTS the screen from moving away from the user each time a touch is input.
- This arm of this assembly supports up to 15 lbs. This assembly is made of steel and is finished with a durable, black, low gloss, micro wrinkle powder coat that resists fingerprints.
- Visit kitchendisplaysystems.com for a free, easy to understand tutorial that covers all aspects of Kitchen Display Systems knowledge!
- For more information on the individual components included in this package please refer to the assembly sketches in this document and the downloadable product information sheets available on our website for each of the product pages for each part number.
- This assembly is available in two configurations:
PN 80024 with 6" Riser + flat printer tray
PN 80025 with 3" Riser + flat printer tray
- The single position mounting plate can also be attached to a pole up to 6" in diameter with an optional strapping kit P/N: 80801 or any compatible hose clamps.
- The single position mounting plate can be rotated and installed vertically or horizontally.



Flat Printer Tray on an Adjustable Arm

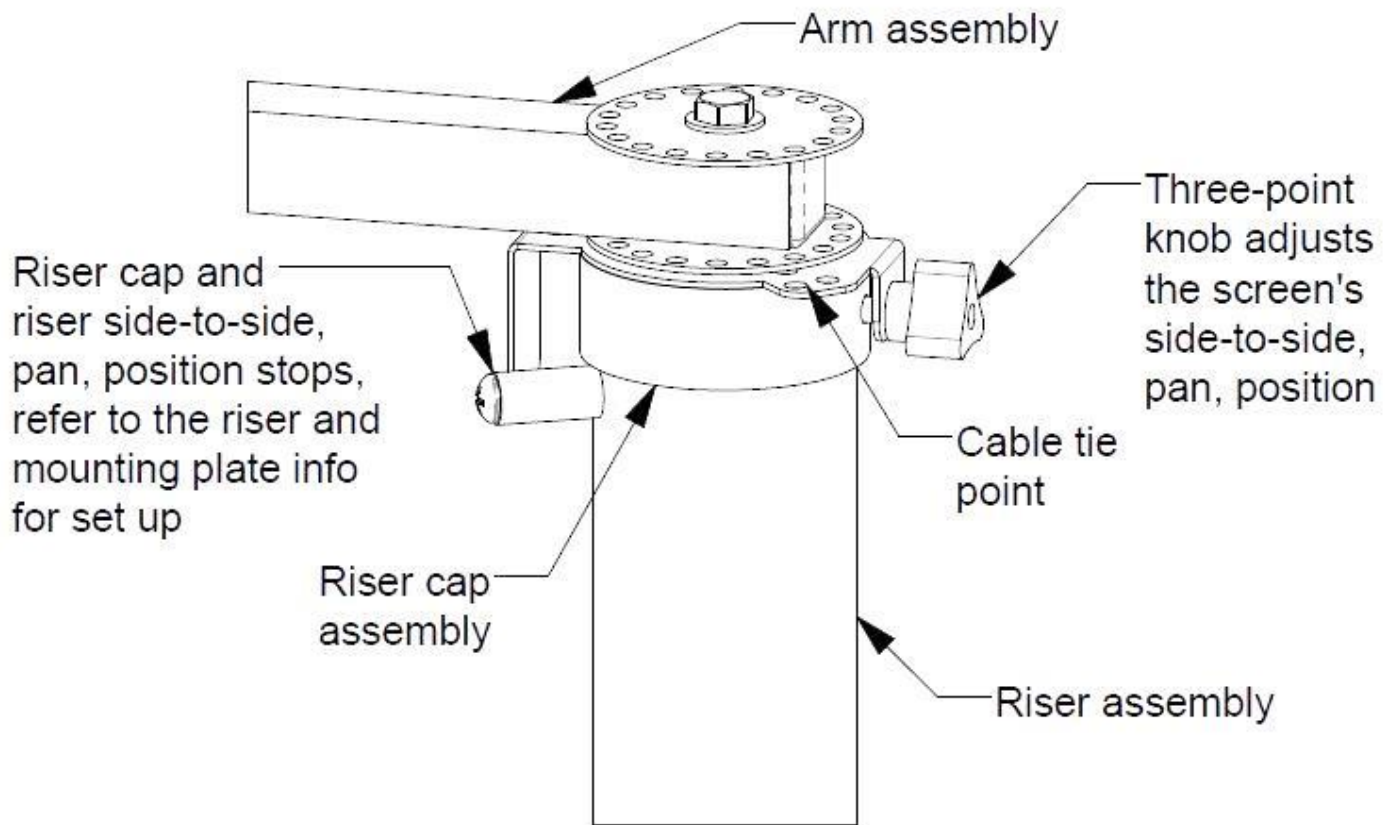
- A universal mount that works with most POS printers.
- The interior dimensions of the Flat Printer Tray are 6½" W X 10¼" L X 1" D.
- Includes a 1¼" diameter hole on one end for routing the power and data cables below the tray if desired.
- Includes multiple sets of tie point holes for inserting cable ties to secure the power and data cables if desired.
- Tightening the five- point knob below the end of the Arm applies variable resistance to allow adjustment of the side-to-side pan position of the Tray. A 10-32 Phillips head screw in one of the center holes can be tightened into one of the holes on the end of the arm to permanently secure the side-to-side pan position.

This printer mounting system is compatible with the following POS Printers:

- Note: interior dimensions of the Printer Tray = 6½" W X 10¼" L X 1" D.
- Anser U2, Brother QL 800, Brother PTP700, Citizen CT-E351, Clover P500, Clover Mini, Custom America CT-E351, Dymo LabelWriter 450, Dymo LabelWriter Wireless, Dymo LabelManager PnP, Epson TM-T88V/VI, Epson TM- T20II, Epson TM - L90, EpsonTM-U220 Type B & D, POS-X Evo HiSpeed, Rollo Printer, Sato FX3-LX, Sato WS2, Square Terminal, Star Micronics mC-Print3.

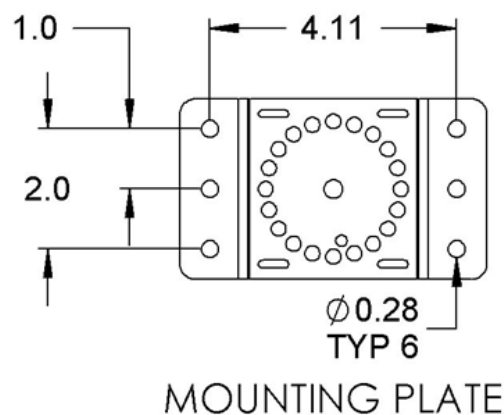
We believe in ethical SEO relevancy; the following section was included to assist the all-knowing algorithms in locating this page; however, some humans like it too.

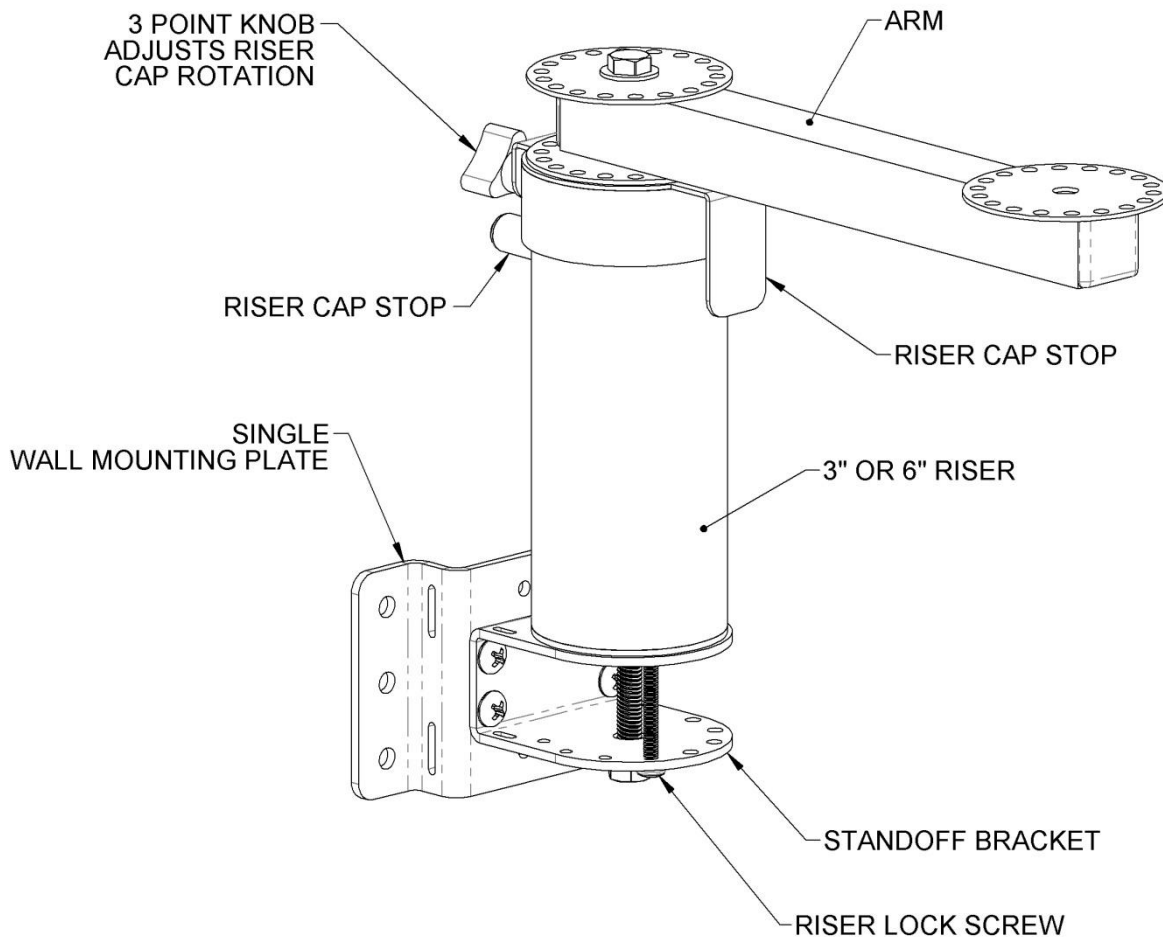
Printer wall bracket, printer wall mount, printer wall mount bracket, printer wall mounting bracket, Printer Tray, Printer Shelf, Kitchen printer, restaurant printer, POS printer, Point of Sale printer, Epson Printer shelf, Healthcare printer, Industrial printer, ID printer, Office printer, Manufacturing printer.



Riser, Riser Cap and Arm

- The Riser Cap allows an arm to rotate around the top of a Riser assembly.
- Loosening the three - point knob on the side of the Riser Cap allows adjustment of the side-to-side pan position of the arm around the riser assembly. Tightening the knob locks the position of the arm.
- The Riser cap incorporates a cable tie point to secure the cables so that they will travel safely as the arm is rotated.
- The Riser Cap interacts with the Riser Cap Stop on the side of the Riser to prevent the arm from making a full rotation around the riser. Refer to the Riser and mounting plate section for instructions on setting the position of the Riser Cap Stop.





Single Wall Mounting Plate with Stand- Off Bracket, Riser, Riser Cap and Arm

- The Riser section elevates the arm above the mounting surface and permits the screen pan and tilt head, or printer tray, to travel horizontally allowing a wide range of positioning options.
- Attach the mounting plate to the Wall or other flat vertical surface with appropriate fasteners.
- Note that the Standoff bracket and arm can be attached to the mounting plate with the mounting plate in either vertical or horizontal orientation.
- Evaluate the side-to-side range of motion of the arm that are attached to the Riser Cap.
- The Riser Cap Stop prevents the Riser cap and arm from rotating a full 360 degrees around the Riser. It may be advantageous to relocate the stop position to optimize the side-to-side range of motion of the arm for your application.
- To reset the position of the Riser Cap Stop; slightly loosen the 5/16-18 bolt with a 1/2" wrench, slightly loosen the 10-32 Phillips head riser lock screw on the underside of the Stand Off Bracket; carefully rotate the riser to locate the stop at the new desired position; then retighten the bolt and screw.
- The Single mounting plate includes slots so that it can be attached to poles with compatible hose clamps.
- The Riser Cap incorporates a cable tie point to secure the cables so that they will travel safely as the arms are rotated.



PN 80024 with 6" Riser + Flat printer tray



PN 80025 with 3" Riser + Flat printer tray

Installation Tips for Screen Mounting Systems

1. 1 Installation of this assembly must be performed by qualified persons.
- 1.2 Use fasteners that are appropriate for the materials and structure of the mounting surface.

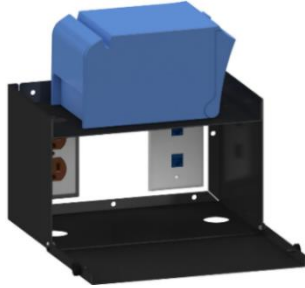
Locating a Screen or Printer mount and examining the range of Motion of the arm(s).

- 1.1 Cut a section of blue painter's tape that is the same width as the mounting plate and keep this handy.
- 1.2 Carefully Lift the mounting system, and place the mounting plate in contact with the mounting surface at the proposed mounting location; then consider if the location of the VESA pan and tilt head or printer tray are accessible; but also not creating any conflicts with other items in the work area. If the system has movable arm(s) move these through their entire range of motion and look for conflicts. If conflicts are found; adjust the proposed location of the mounting plate as needed. When the optimum location is discovered; apply the tape to the spot on the mounting surface.
- 1.3 An alternate method that can be used as an aid in determining the best location for screens or printers is to make a cardboard cut out that has been shaped to closely match the overall dimensions of the intended screen or printer tray. (In a pinch you can also use a tray or a pizza box as a stand in for a screen.) Use these cardboard models as stand in for the actual equipment to assist in demonstrating the best positions of screens or printers.
- 1.4 If the screen or printer is supported by an arm; locate the pivot points of the arm and then carefully guide the VESA head or printer tray horizontally through the entire range of movement to determine optimum location for the mounting plate. When this location is discovered; apply the tape to the spot on the mounting surface.

Interactive Catalog of Wall Mounts for POS Printers

These mounts are included in the "[Wall Mounts for POS Printers](#)" product group pages on our website. For more information; click on the images or descriptions to visit the individual product pages on our website. PDF Product Information Sheets are available at the Product Attachments tab on each product page.

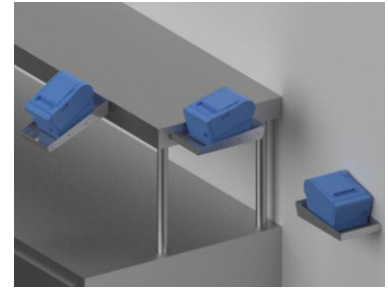
[Practical Quality Systems Home Page](#)



[PN 80691-BLK - Printer Wall Mount with Storage Compartment](#)



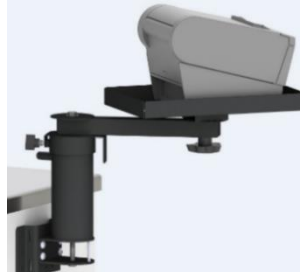
[PN 80691-CH - Printer Wall Mount with Storage Compartment](#)



[PN 50313-SS - Stainless Steel Printer Shelf Edge and Wall Mount](#)



[PN 80002 - Wall Mount with an 8" arm and a Flat Printer Tray](#)



[PN 80024 - Wall Mount with a 6" Riser, 8" Arm, & a Flat Printer Tray](#)



[PN 80025 - Wall Mount with a 3" Riser, 8" Arm, and a Flat Printer Tray](#)



[PN 80051 - 15" Arm Assembly with Flat Printer Tray](#)



[PN 80313 - Stainless Steel Printer Tray, Shelf edge or Wall Mount, with Power Supply Storage Compartment](#)

Interactive Catalog of Product Sub Groups

There are many individual products included in the various product sub groups featured on these pages.

Click on the images or descriptions to visit the individual product sub group pages on our website.

For Information about individual products; click on the "Product Attachments" tab on each of the individual product pages.

[Practical Quality Systems Home Page](#)



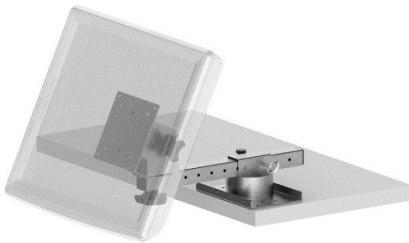
[Wall Mounts for Screens](#)



[Wall Mounts for POS Printers](#)



[Wall Mounts for Screens and POS Printers](#)



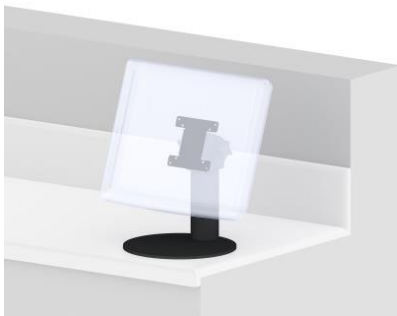
[Shelf Edge Mounts for Screens](#)



[Shelf Edge Mounts for POS Printers](#)



[Shelf Edge Mounts for Screens and POS Printers](#)



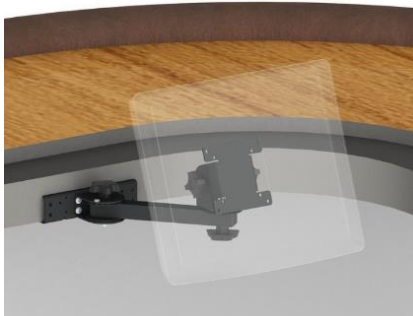
[Counter Top Mounts for Screens](#)



[Counter Top Mounts for POS Printers](#)



[Counter Top Mounts for Screens and POS Printers](#)



[Under Counter Mounts for Screens](#)



[Under Counter Mounts for POS Printers](#)



[Under Counter Mounts for Screens and POS Printers](#)

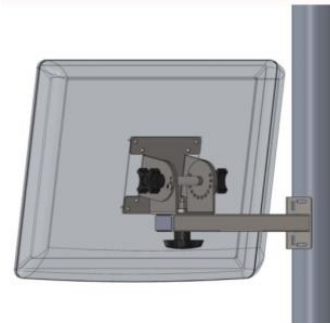
Interactive Catalog of Product Sub Groups

There are many individual products included in the various product sub groups featured on these pages.

Click on the images or descriptions to visit the individual product sub group pages on our website.

For Information about individual products; click on the "Product Attachments" tab on each of the individual product pages.

[Practical Quality Systems Home Page](#)



[Pole Mounts for Screens](#)



[Pole Mounts for POS Printers](#)



[Ceiling Mounts for Screens](#)



[Oracle MICROS Mounting Systems](#)



[NCR Aloha KDS Mounting Solutions](#)



[QSR KDS Mounting Solutions](#)



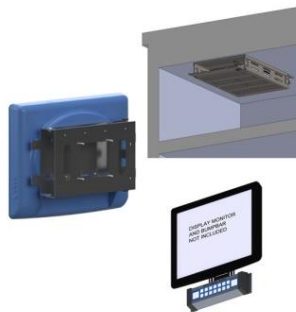
[Logic Controls Bematech KDS Mounting Solutions](#)



[Universal Kitchen Display System Mounting Packages](#)



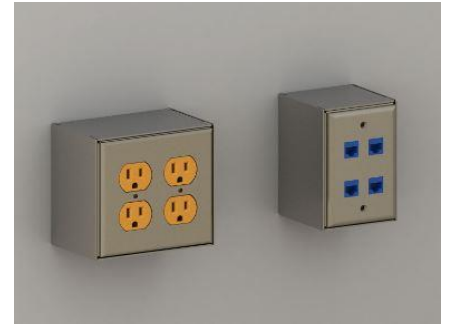
[Enclosures for Touchscreen, Monitors and Thin Clients](#)



[Back Of Screen VESA Mounts for Controllers, Thin Clients, Bump Bars, Tap+ Touch + EMV Readers](#)



[Stainless Steel Wireways](#)



[Stainless Steel Power and Data Outlet Monuments](#)

Interactive Catalog of Product Sub Groups

There are many individual products included in the various product sub groups featured on these pages.

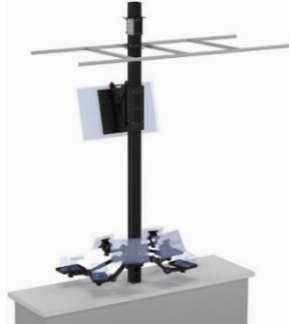
Click on the images or descriptions to visit the individual product sub group pages on our website.

For Information about individual products; click on the "Product Attachments" tab on each of the individual product pages.

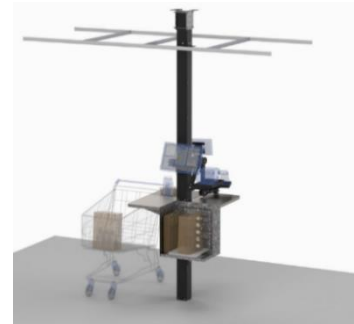
[Practical Quality Systems Home Page](#)



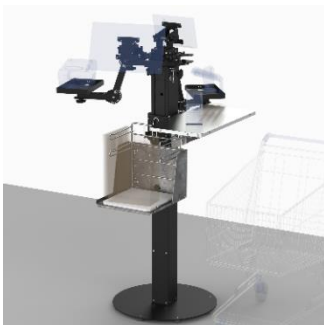
[Movable Countertop POS Stands](#)



[Direct Mount Countertop POS Stands](#)



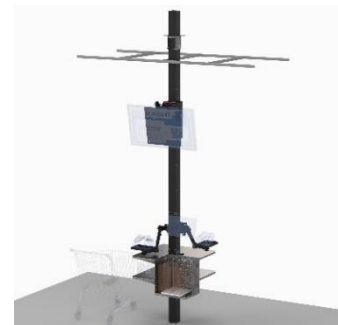
[POS Cashier Pole Stands](#)



[POS Cashier Floor Stands](#)



[POS Self-Check Out Kiosk Floor Stands](#)



[POS Self-Check Out Kiosk Pole Stands](#)



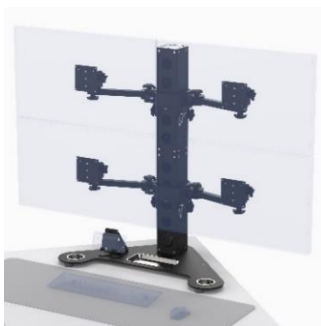
[Take Out Pickup Pole Stands](#)



[Take Out Pickup Floor Stands](#)



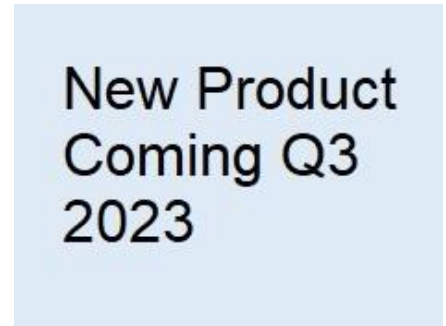
[Information Kiosk Floor Stands](#)



[Desktop Multi-Screen Pedestal Stands](#)



[4X4 Pole Clamp on Mounts](#)



[Mobile Cashier Stands](#)

Interactive Catalog of Product Sub Groups

There are many individual products included in the various product sub groups featured on these pages.

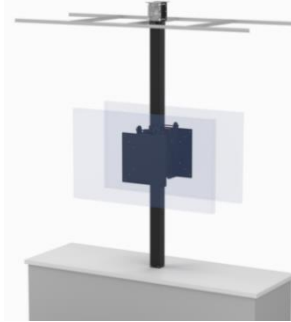
Click on the images or descriptions to visit the individual product sub group pages on our website.

For Information about individual products; click on the "Product Attachments" tab on each of the individual product pages.

[Practical Quality Systems Home Page](#)

New Product
Coming Q3
2023

Mobile Self-Check Out Stands



[Digital Signage Pole Stands](#)

New Product
Coming Q3
2023

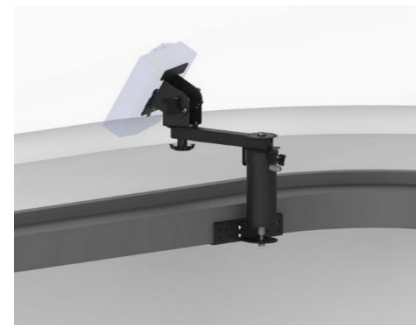
Stationary Podiums

New Product
Coming Q3
2023

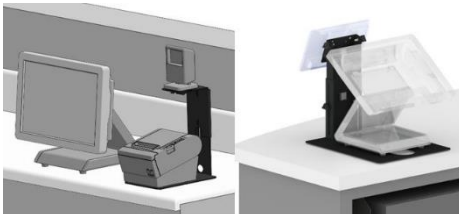
Stationary Podiums with Ceiling Feed Pole

New Product
Coming Q3
2023

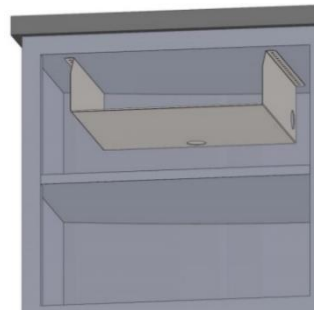
Mobile Podiums



[Ingenico Lane Reader Mounting Systems](#)



[Other Counter Top Mounts](#)



[Cash Drawer Mounting Solutions](#)