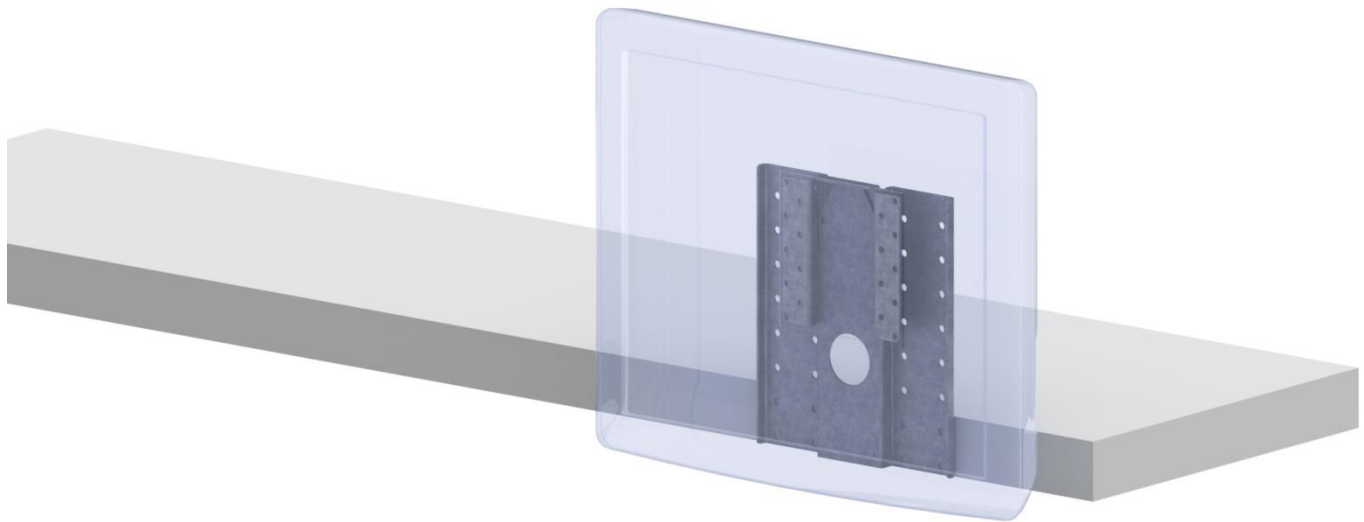
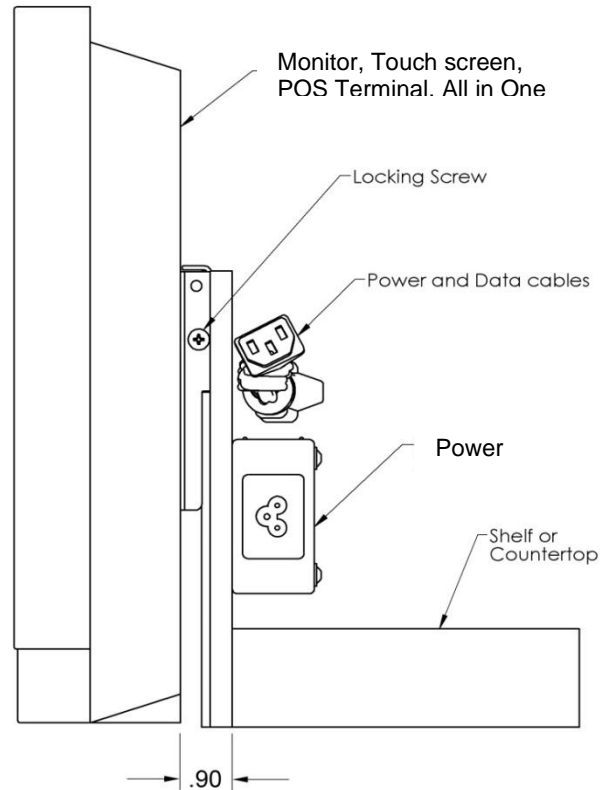


PQS

PRACTICAL QUALITY SYSTEMS

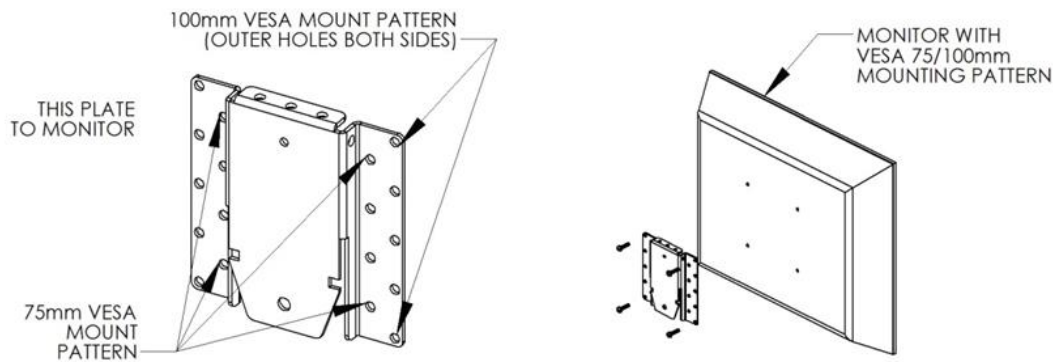
Fast Custom Manufacturing - Nationwide Installation Services





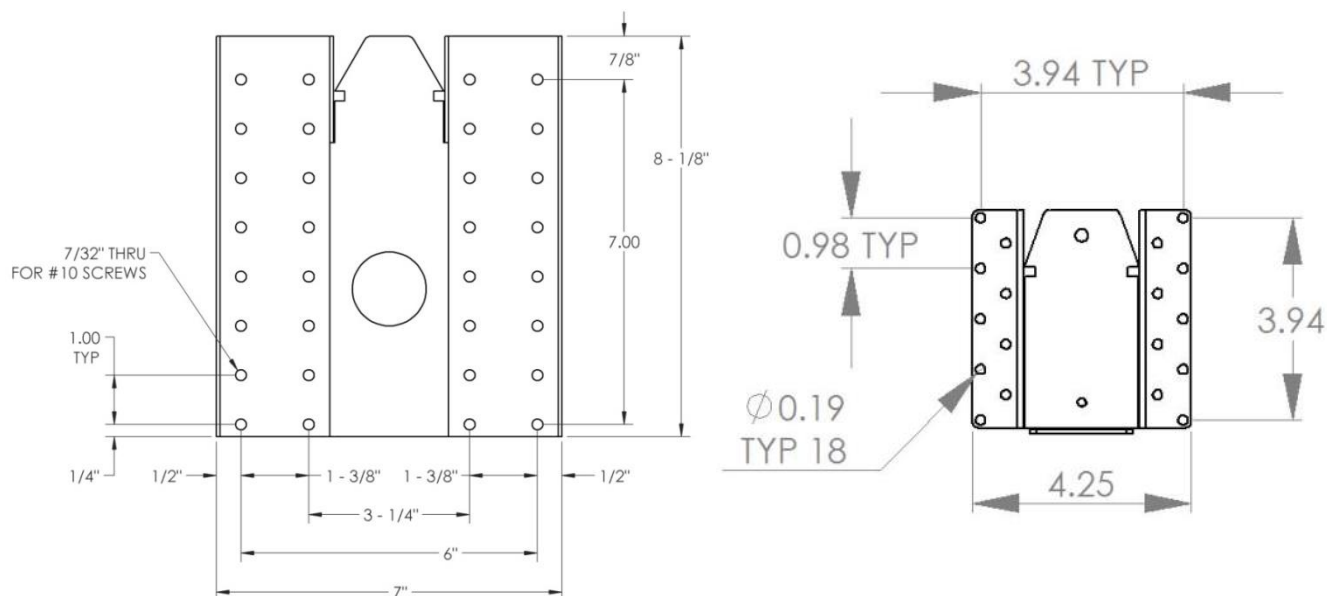
General Features

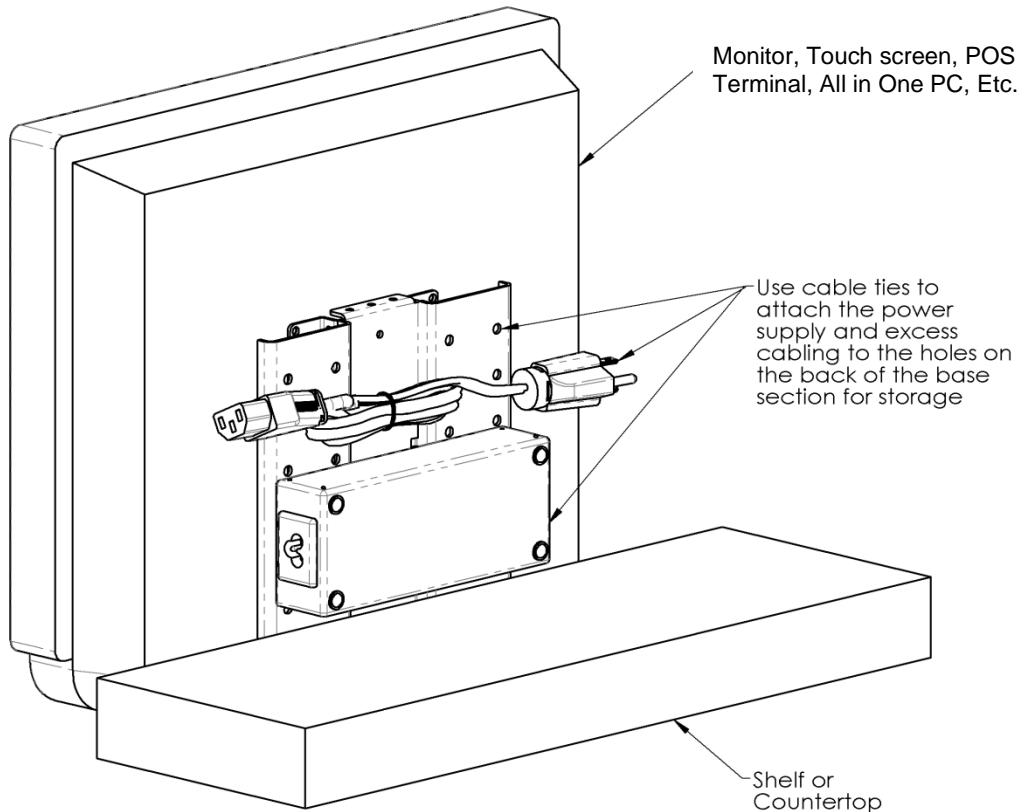
- This wall mount can be used as a universal support system for any 75mm or 100mm VESA compatible monitor, touchscreen and terminal for Point of Sale / POS, Kitchen Display Systems / KDS in commercial kitchens, retail, restaurants, offices, industry, shops, medical, maritime, schools, laboratory and many other applications.
- This mounting system adds “Quick Disconnect” function to any 75-100mm VESA compatible screen.
- Includes 4 pieces of M4 X 10mm long, Phillips head screws to attach the VESA mounting plate to the back of the screen.
- PN 80947 GAL is made of galvanized steel and supports up to 25 lbs., attaches to a shelf edge, wall or any flat, vertical surface.
- PN 80947 is our “heavy duty” flat shelf edge mount.
- The mounting base plate is taller than a standard PN 80910 mount; so it has much larger amount of screen height position adjustment.
- Power supply and excess power cable can be coiled neatly and attached to the rear of the mounting base plate.
- Visit kitchendisplaysystems.com for a free, easy to understand tutorial that covers all aspects of Kitchen Display Systems knowledge!
- For more information on the individual components included in this package please refer to the assembly sketches in this document and the downloadable product information sheets available on our website for each of the product pages for each part number.



Installation Tips

1. Lay your screen face down on a smooth surface and Orient the small VESA mounting plate with the pointed center section of the plate pointing downward and align either the 75 or 100mm hole patterns in the plate with the tapped VESA mounting holes on the back of the screen.
3. Install four M4 screws through the chosen VESA hole patterns in the VESA plate and into the tapped VESA mounting holes on the back of the screen.
4. Carefully light the screen and hold it next to shelf or countertop edge to determine the optimum location for your application; mark this location.
5. Align the mounting plate base section with the pointed center section of the plate pointing upward and adjust the height of the plate on the edge of the shelf or counter top at a position that works best in your application. Important note: that there must be at least one complete row of mounting holes in the channel sections of the base plate below the top edge of the shelf or countertop. Once the base plate location is determined secure it to the edge with multiple fasteners which are appropriate for the edge material type.
6. With the mounting base plate installed; grasp the screen firmly, then lift it and align the tab section on the back of the VESA plate so that it is over the tab section of the receiver section of the base section and then carefully slide the screen downward until it stops; verify that the two tabs have interlocked; then release the screen and tighten the locking screw.
7. Secure the power supply and excess power and data cabling to the back of the base section with cable ties that have been looped through the provided holes.



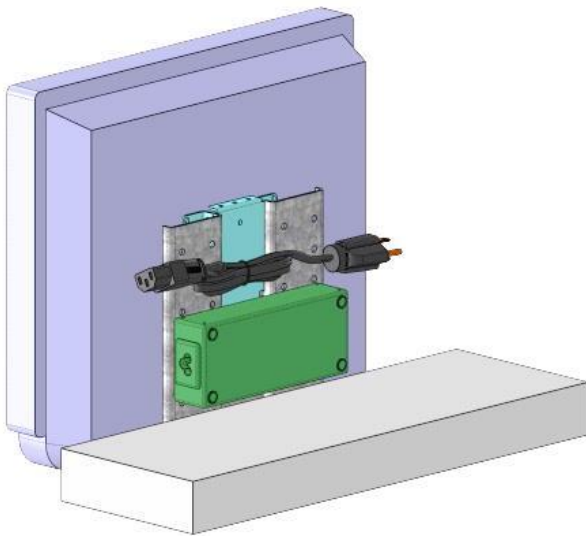


Installation Tips for Screen Mounting Systems

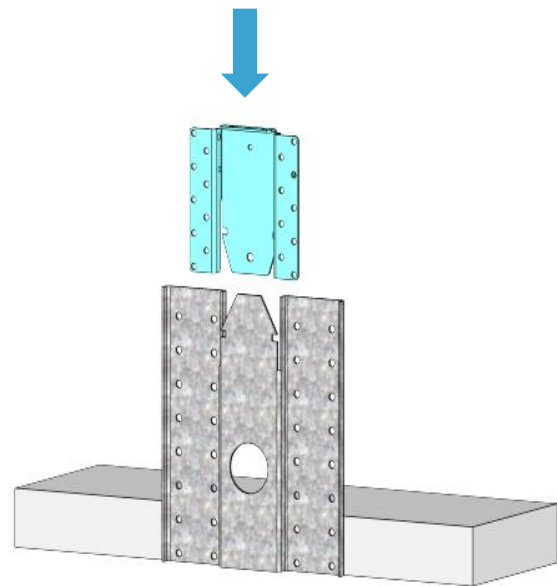
- 1. 1 Installation of this assembly must be performed by qualified persons.
- 1.2 Use fasteners that are appropriate for the materials and structure of the mounting surface.

Tips for locating KDS or POS Screen Mounting Systems

- 1.1 Care must be taken when locating KDS or POS Screens so that the display can be easily seen by the users (and in some cases touched); and also so that the screen does NOT block access to the pass through window or items such as ingredients, plates, microwaves, etc. that are located on the adjacent shelves.
- 1.2 As a general rule of thumb KDS and POS screens should be located to place the center of the display at, or just above, eye level.
- 1.3 Most KDS screens are supported by mounting systems that are attached directly to the edge of existing kitchen shelves above a production work station or expo area. POS Screens are most often attached to counter tops, Under counter, shelf edges or walls.
- 1.4 Conduct a careful survey of each POS station, Kitchen work station or expo area. Stand where the users will be standing at their work stations and consider all possible screen locations. Again ; the screens should be located where they are readily accessible; but also where they do not limit access to other important items in the work area.



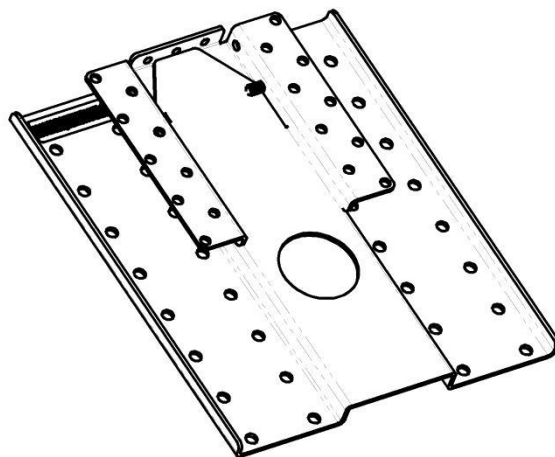
PN 80947



PN 80947

Partial list of Compatible Touchscreen Monitors

- elo Touchscreen Monitor 0702L, 1002L, 1302L, 1502L, 2002L, 2202L, 2201L, 2402L, 2702L, 1515L, 1517L, 1523L, 1715L, 1717L, 1723L, 1902L, 1915L.
- elo Touchscreen Monitor Medical Grade 1903LM, 2203LM 22", 2403LM 24", 2703LM 27".
- Viewsonic Touch screens TD3207, TD1630-3, TD2223, TD2230, TD2423, TD2430, TD2760.
- Beetrionics Inc. touchscreens 7TS7M, 8TSV7M, 10TS7, 10TSV7M, 10TS7M, 12TS7, 12TSV7M, 12TS7M, 13TS7, 13TS7M, 15TS7, 15TSV7M, 15TS7M, 17TSV7M, 17TS7M, 19TSV7M, 19TS7M, 22TS7M, 24TS7M.
- Planar Touch Screen Monitors Helium PCT2265, PT2245PW, Helium PCT2235, PXL2230MW, PT1945P, PT1945R, PT1745P, PT1545P, PT1545R.



This screen mounting system is compatible with the following POS systems : Lightspeed, logic controls, NCR, elotouch, posiflex, Poster POS, ehopper, Beetrionics, Tyso, favpng, Touch Dynamic, FastSpring, CAKE, Erply, Sapaad, Upserve, Salesforce Commerce Cloud, Block, Miva Merchant, Epos Now, QuickBooks POS, Shopify, VEND, Revel, Clover, CovaPOS, Oracle NETSUITE, MICROS, GoDaddy, Helcim, Epos Now, Upserve POS, Elo, CardConnect, NCR, ALOHA, SQUARE, Posnation, KORONA POS, BEMETECH, toast, Touchbistro, LAVU, Partnertech.

Partial list of Compatible Touchscreen Computers, Interactive displays, All-in-One PCs

- elo Touchscreen Computer and Interactive displays 10-inch I-Series 4 for Android E389883, E411266, E390647, E411643.
- elo Touchscreen Computer and Interactive displays 15-inch I-Series 4 for Android E390075, E412033, E391032, E412421.
- elo Touchscreen Computer and Interactive displays 22-inch I-Series 4 for Android E390263, E412818, E391414, E413211.
- elo Touchscreen Computer and Interactive displays 15-inch I-Series for Windows (2.0) E691852, E692048, E850204, E850003, E692244, E692448.
- elo Touchscreen Computer and Interactive displays 22-inch I-Series for Windows (2.0) E692640, E692837, E850591, E850387, E693022, E693211.
- elo 15-inch (4:3) EloPOS Systems E931330, E931524, E590979, E494164, E587032, E931706, E931896, E590570, E494361, E932090, E932274, E407443, E485078, E590763.
- elo 15-inch (16:9) EloPOS Systems E440439, E440234, E397891, E441010, E440808, E441385, E441193, E441781, E441575, E262258, E397698, E263402, E442161, E441968, E442550, E442365, E892954, E841559, E877703, E892761, E935572, E935367, E841357, E395937, E935967, E935775, E407627, E880567, E396134, E727037, E936365, E936163, E936750, E936556, E536624, E939305, E939498.
- elo 17-inch (5:4) EloPOS Systems E402183, E401992, E485278, E484096, E491271, E402576, E402382, E484495, E484291, E491458, E402963, E402781, E484700, E484896.
- 22-inch EloPOS Systems E937154, E936953, E413988, E414192, E511988, E937523, E937340, E612017, E375459, E410884, E910541, E397507, E511785, E937919, E937720, E938297, E938113, E560404, E417915.
- Dell All-in-one OptiPlex 3290, OptiPlex 3090, OptiPlex 7490, OptiPlex 7780, OptiPlex 5480, OptiPlex 5490, Inspiron 24 5000, Inspiron 27 7000.
- HP, HP Chromebase, Envy, AIO, Pavilion, Office 365, All-in-One - 2Z1Z3AV_1, 20W72AA#ABA, 20W60AA#ABA, 3UQ98AA#ABA, 20W59AA#ABA, 20W58AA#ABA, 3UR17AA#ABA, 20W57AA#ABA, 10M73AV_1, 8AJ56AV_1, 3UR10AA#ABA, 20W66AA#ABA, 3UQ97AA#ABA, 22_AiO_O365P_Kit, 3UQ96AA#ABA, 8AJ03AV_1, 3UR18AA#ABA, 3UR02AA#ABA.
- Lenovo IdeaCentre, ThinkCentre F0E5002DUS, F0FQ0008US, F0EX0001US, F0FB001RUS, F0FB0077US, F0FB007FUS.
- Cybernet iOne S24, iOne S22, iOne S20, iOne S19.

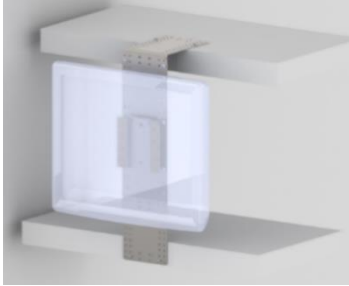
We believe in ethical SEO relevancy; the following section was included to assist the all-knowing algorithms in locating this page; however, some humans like it too.

- VESA shelf mount, VESA shelf mounting bracket, VESA shelf mount bracket, Screen shelf mount, screen shelf mounting bracket, screen shelf mount bracket, monitor shelf mount.
- Monitor shelf mounting bracket, monitor shelf mount bracket, POS terminal shelf mount, POS terminal shelf mounting bracket, POS terminal shelf mount bracket, Point of Sale POS terminal shelf mount, Point of Sale terminal shelf mounting bracket, Point of Sale terminal shelf mount bracket.
- KDS shelf mount, KDS shelf mounting bracket, KDS shelf mount bracket, Kitchen Display System shelf mount, Kitchen Display System shelf mounting bracket, Kitchen Display System shelf mount bracket.
- Kitchen production System shelf mount, Kitchen Monitor shelf mount, Kitchen video shelf mount. Touchscreen shelf mount, All in One PC shelf mount, Healthcare monitor shelf mount, Industrial process monitor shelf mount, Kiosk shelf mount, Office monitor shelf mount, manufacturing process monitor shelf mount.

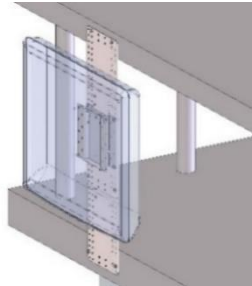
Interactive Catalog of Shelf Edge Mounts for Screens

These mounts are included in the [“Shelf Edge Mounts for Screens”](#) “product group pages on our website. For more information; click on the images or descriptions to visit the individual product pages on our website. PDF Product Information Sheets are available at the Product Attachments tab on each product page.

[Practical Quality Systems Home Page](#)



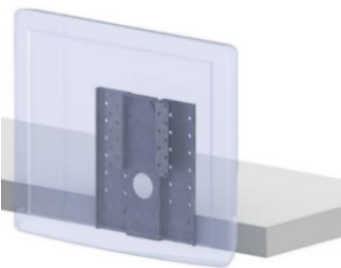
[PN 80912-SS - Shelf Bridge VESA Mount with L Bracket](#)



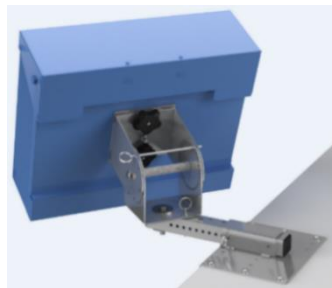
[PN 80914-SS - Shelf Bridge VESA Mount](#)



[PN 80941-SS - Tilting Shelf Edge Mount 100mm VESA](#)



[PN 80947-GAL - VESA Flat Shelf Edge Mount with quick disconnect](#)



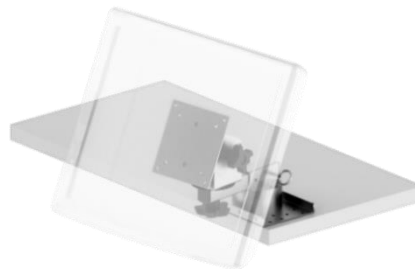
[PN 80973-CH - 35lb Shelf Edge Mount with a 100mm VESA Pan - Tilt Head](#)



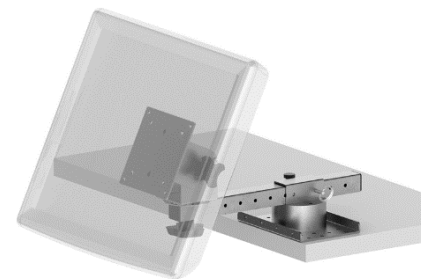
[PN 80102-26 - 7 axis counter top mount with 26 inch extendable arm and enhanced pan - tilt head](#)



[PN 80102-20 - 7 axis counter top mount with 20 inch extendable arm and enhanced pan - tilt head](#)



[PN 80112-CH - Shelf Edge Mount with Panning mounting Plate, Adjustable Short Arm + enhanced pan - tilt head](#)



[PN 80113-CH - Shelf Edge Mount + long Adj. Arm, Panning Mounting Plate + enhanced pan - tilt head](#)



[PN 80135-CH - Over/Under Shelf - Counter + Panning Plate Mount + Long Ext. Arm + enhanced pan - tilt head](#)



[PN 80125-CH - Shelf Edge Mount + 4” S.S. Arm + Mounting Plate +pan - tilt head](#)



[PN 80136-CH - Over/Under Shelf or Counter +h Panning Plate Mount Short Ext. Arm + enhanced pan - tilt head](#)

Interactive Catalog of Shelf Edge Mounts for Screens

These mounts are included in the "[Shelf Edge Mounts for Screens](#)" product group pages on our website. For more information; click on the images or descriptions to visit the individual product pages on our website.

PDF Product Information Sheets are available at the Product Attachments tab on each product page.

[Practical Quality Systems Home Page](#)



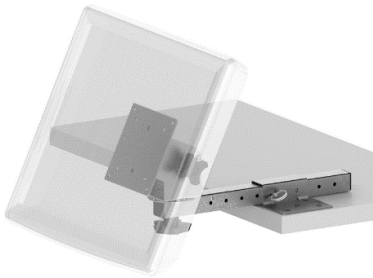
[PN 80102 - 7 axis counter top mount +h 8" ext. arm + enhanced VESA Pan-Tilt Head](#)



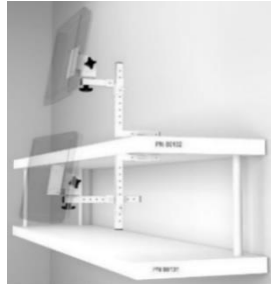
[PN 80105 - 5 Axis Counter Top Mount + 15" Arm+ Panning Mounting Plate + VESA Pan- Tilt Head](#)



[PN 80116 - Shelf edge mount + fixed mounting plate + adjustable short arm + enhanced VESA Pan- Tilt Head](#)



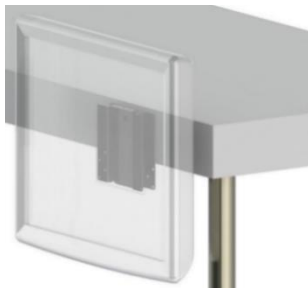
[PN 80117 - Shelf Edge Mount with Fixed Mounting Plate + Adjust. Long Arm+ enhanced VESA Pan- Tilt Head](#)



[PN 80131 - Over/Under Shelf Edge Mount or Counter Top Mount + Long Extension Arm+ enhanced VESA Pan-Tilt Head](#)



[PN 80132 - Over/Under Shelf edge mount or Counter top mount + short extension arm+ enhanced VESA Pan-Tilt Head](#)



[PN 80171 - Under Counter Mounting plate with Quick Disconnect VESA Flat mount.](#)

Interactive Catalog of Product Sub Groups

There are many individual products included in the various product sub groups featured on these pages.

Click on the images or descriptions to visit the individual product sub group pages on our website.

For Information about individual products; click on the "Product Attachments" tab on each of the individual product pages.

[Practical Quality Systems Home Page](#)



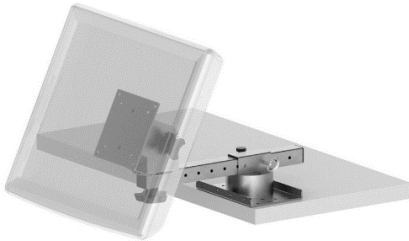
[Wall Mounts for Screens](#)



[Wall Mounts for POS Printers](#)



[Wall Mounts for Screens and POS Printers](#)



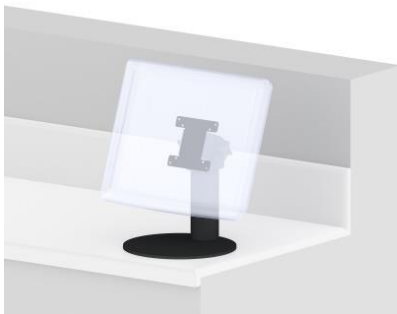
[Shelf Edge Mounts for Screens](#)



[Shelf Edge Mounts for POS Printers](#)



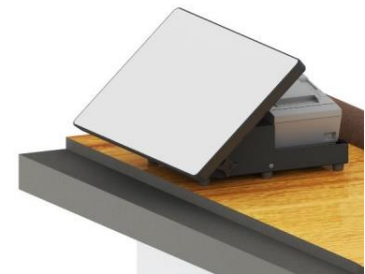
[Shelf Edge Mounts for Screens and POS Printers](#)



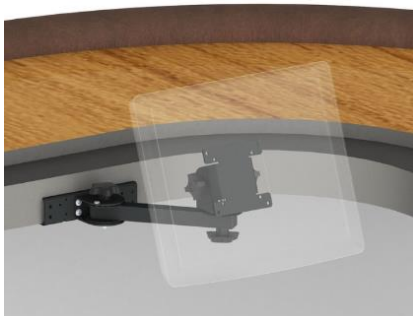
[Counter Top Mounts for Screens](#)



[Counter Top Mounts for POS Printers](#)



[Counter Top Mounts for Screens and POS Printers](#)



[Under Counter Mounts for Screens](#)



[Under Counter Mounts for POS Printers](#)



[Under Counter Mounts for Screens and POS Printers](#)

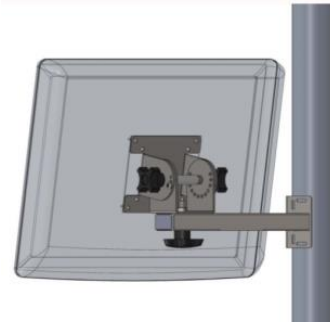
Interactive Catalog of Product Sub Groups

There are many individual products included in the various product sub groups featured on these pages.

Click on the images or descriptions to visit the individual product sub group pages on our website.

For Information about individual products; click on the "Product Attachments" tab on each of the individual product pages.

[Practical Quality Systems Home Page](#)



[Pole Mounts for Screens](#)



[Pole Mounts for POS Printers](#)



[Ceiling Mounts for Screens](#)



[Oracle MICROS Mounting Systems](#)



[NCR Aloha KDS Mounting Solutions](#)



[QSR KDS Mounting Solutions](#)



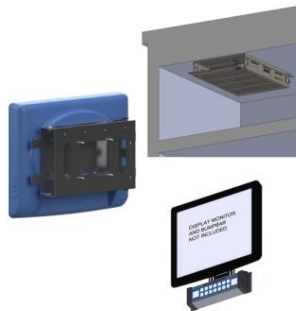
[Logic Controls Bematech KDS Mounting Solutions](#)



[Universal Kitchen Display System Mounting Packages](#)



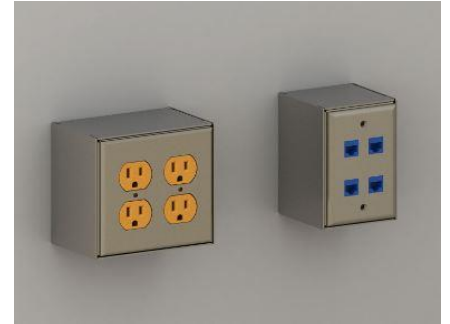
[Enclosures for Touchscreen, Monitors and Thin Clients](#)



[Back Of Screen VESA Mounts for Controllers, Thin Clients, Bump Bars, Tap+ Touch + EMV Readers](#)



[Stainless Steel Wireways](#)



[Stainless Steel Power and Data Outlet Monuments](#)

Interactive Catalog of Product Sub Groups

There are many individual products included in the various product sub groups featured on these pages.

Click on the images or descriptions to visit the individual product sub group pages on our website.

For Information about individual products; click on the "Product Attachments" tab on each of the individual product pages.

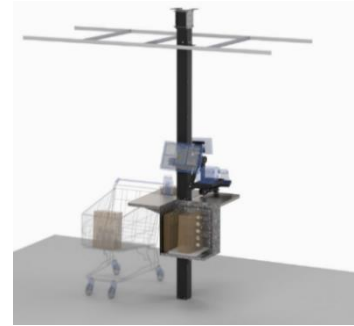
[Practical Quality Systems Home Page](#)



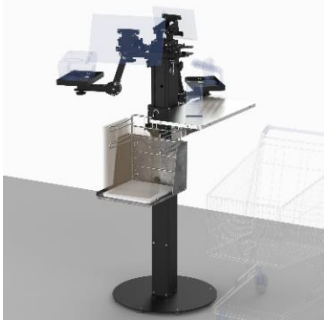
[Movable Countertop POS Stands](#)



[Direct Mount Countertop POS Stands](#)



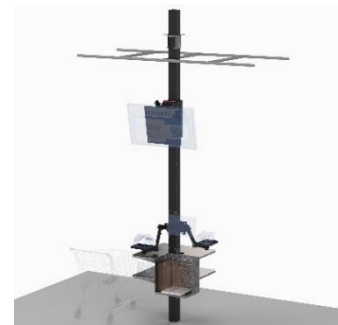
[POS Cashier Pole Stands](#)



[POS Cashier Floor Stands](#)



[POS Self-Check Out Kiosk Floor Stands](#)



[POS Self-Check Out Kiosk Pole Stands](#)



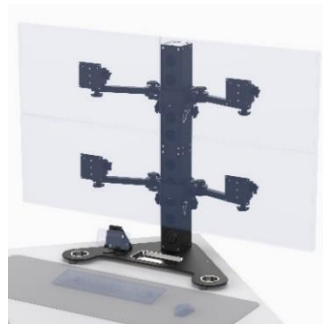
[Take Out Pickup Pole Stands](#)



[Take Out Pickup Floor Stands](#)



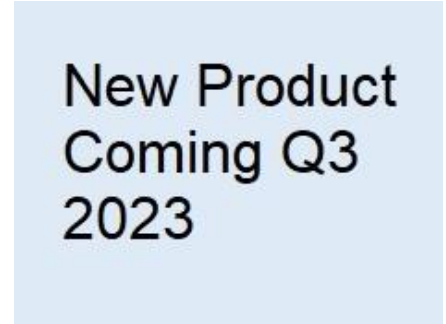
[Information Kiosk Floor Stands](#)



[Desktop Multi-Screen Pedestal Stands](#)



[4X4 Pole Clamp on Mounts](#)



[Mobile Cashier Stands](#)

Interactive Catalog of Product Sub Groups

There are many individual products included in the various product sub groups featured on these pages.

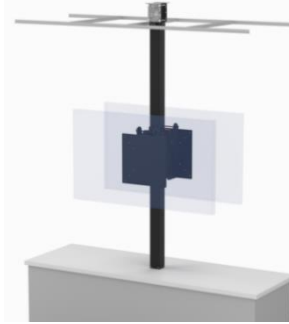
Click on the images or descriptions to visit the individual product sub group pages on our website.

For Information about individual products; click on the "Product Attachments" tab on each of the individual product pages.

[Practical Quality Systems Home Page](#)

New Product
Coming Q3
2023

Mobile Self-Check Out Stands



[Digital Signage Pole Stands](#)

New Product
Coming Q3
2023

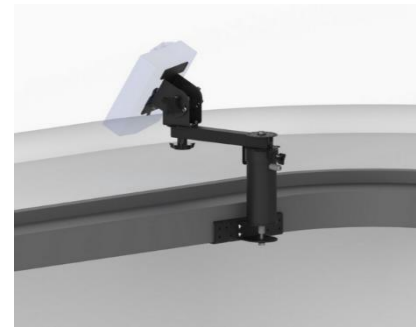
Stationary Podiums

New Product
Coming Q3
2023

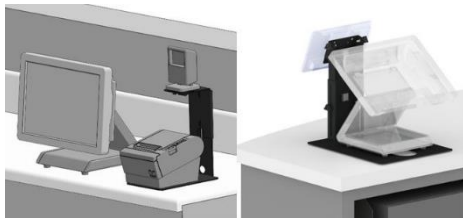
Stationary Podiums with Ceiling Feed Pole

New Product
Coming Q3
2023

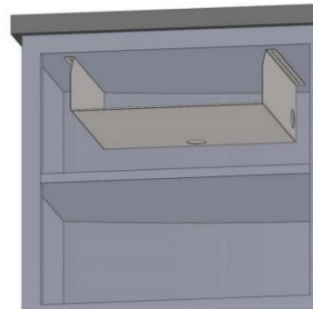
Mobile Podiums



[Ingenico Lane Reader Mounting Systems](#)



[Other Counter Top Mounts](#)



[Cash Drawer Mounting Solutions](#)