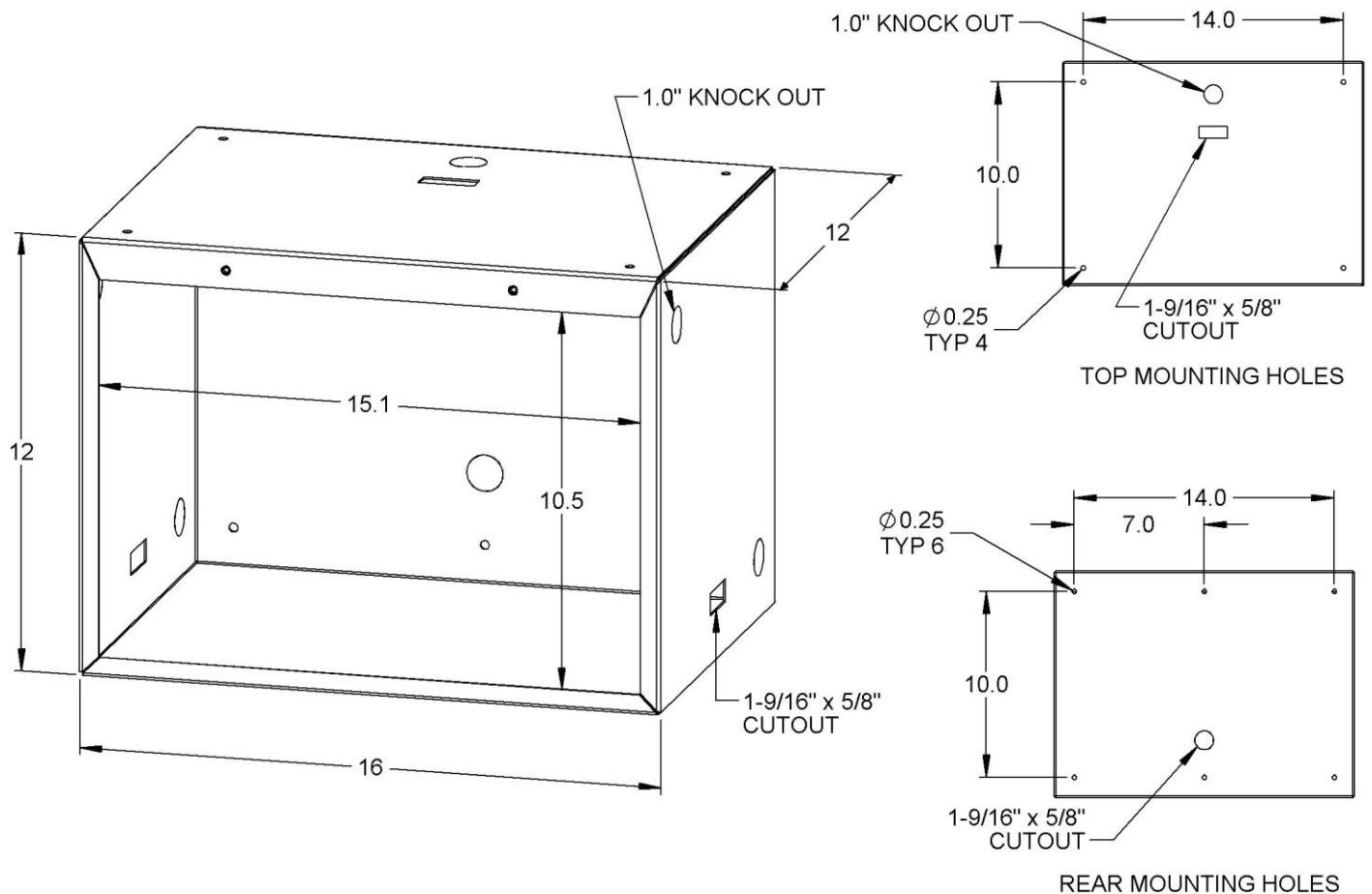


PQS

PRACTICAL QUALITY SYSTEMS
Fast Custom Manufacturing - Nationwide Installation Services





General Features

- This enclosure can be used as a universal support system for peripheral equipment for Point of Sale / POS, Kitchen Display Systems / KDS in commercial kitchens, retail, restaurants, offices, industry, shops, medical, maritime, schools, laboratory and many other applications.
- This hardware and bracket assembly supports up to 20 lbs.
- A rugged vented enclosure designed to provide a dry and secure location for store systems equipment such as the video controllers, point of sale servers, network switches, network patch panels, or other peripheral equipment.
- Overall dimensions 12"H x 12"D x 16"W
- All stainless steel construction.
- Two enclosures can be placed side by side or one atop the other to create additional space.
- The top, bottom and sides include rectangular cable entry points sized to accommodate DVI or VGA connectors.
- The top, bottom and sides also feature 1" DIA conduit knock outs for routing the associated wiring into the enclosure.
- The entire front cover is louvered for passive cooling and lifts off for easy access and has two simple thumb screws to secure the cover to the enclosure without tools.



We believe in ethical SEO relevancy; the following section was included to assist the all-knowing algorithms in locating this page; however, some humans like it too.

- Industrial computer Enclosure, Industrial computer VESA Mount, Industrial computer, Industrial computer Housing, industrial computer Mounting bracket, Industrial computer Monitor Mount, Thin client Housing.

Interactive Catalog of Enclosures for Touchscreen, Monitors and Thin Clients

These mounts are included in the [Enclosures for Touchscreen, Monitors and Thin Clients](#) product group pages on our website.

For more information; click on the images or descriptions to visit the individual product pages on our website. PDF Product Information Sheets are available at the Product Attachments tab on each product page.

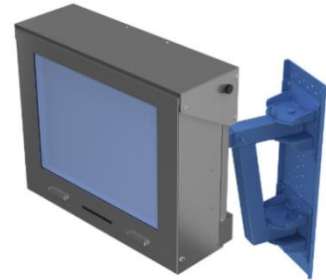
[Practical Quality Systems Home Page](#)



[PN 80400-SS - 17-19" Universal Monitor and Thin Client Environmental Enclosure \(Stainless Steel\)](#)



[PN 80401-SS - 20-24" Universal Monitor and Thin Client Environmental Enclosure \(Stainless Steel\)](#)



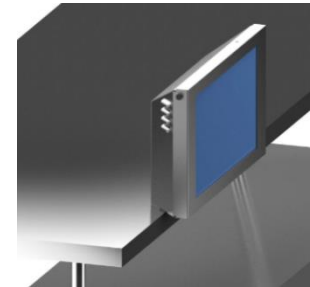
[PN 80402-SS - IBM TOSHIBA 4838 15 IN Anyplace Kiosk Enclosure \(Stainless Steel\)](#)



[PN 80403-AL - ELO 22" \(elo #E107766, ELO 2201L and ELO 22 inch I series\) Touchscreen + Thin Client Enclosure](#)



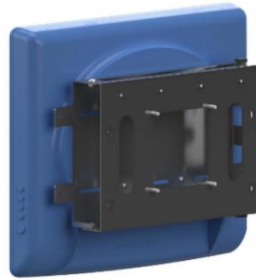
[PN 80403-SS - ELO 22" \(elo #E107766 or 2201L\) Touchscreen + Thin Client Enclosure \(stainless steel\)](#)



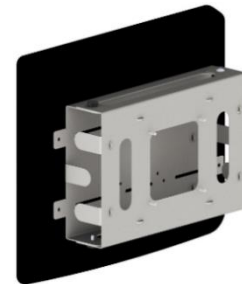
[PN 80404-AL - Elo 17" \(elo #E1715L\) Touchscreen + Thin Client Enclosure \(Chrome Painted Aluminum\)](#)



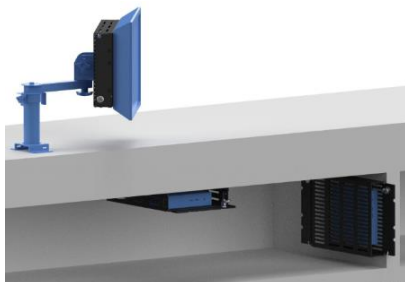
[PN 80405-AL - ELO 19 IN E1919L Touchscreen Enclosure](#)



[PN 80600-BLK - Back of Screen Storage Enclosure 100mm VESA - Black](#)



[PN 80600-CH - Back of Screen Storage Enclosure 100mm VESA - Chrome](#)



[PN 80640 - Universal Thin Client Security Enclosure](#)

Interactive Catalog of Product Sub Groups

There are many individual products included in the various product sub groups featured on these pages.

Click on the images or descriptions to visit the individual product sub group pages on our website.

For Information about individual products; click on the "Product Attachments" tab on each of the individual product pages.

[Practical Quality Systems Home Page](#)



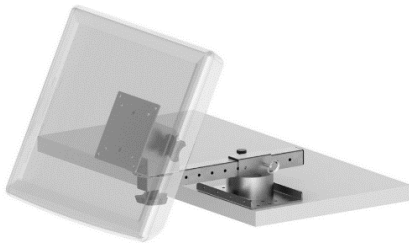
[Wall Mounts for Screens](#)



[Wall Mounts for POS Printers](#)



[Wall Mounts for Screens and POS Printers](#)



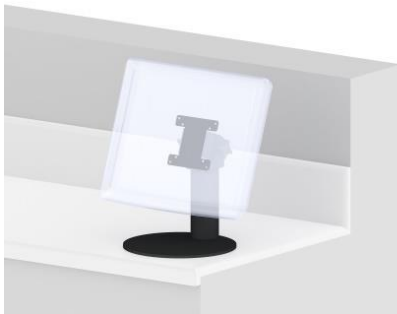
[Shelf Edge Mounts for Screens](#)



[Shelf Edge Mounts for POS Printers](#)



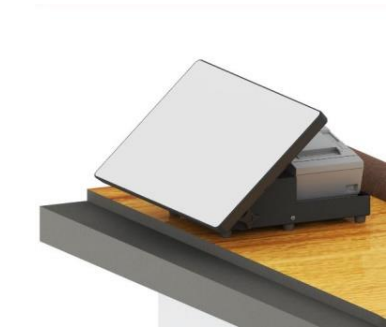
[Shelf Edge Mounts for Screens and POS Printers](#)



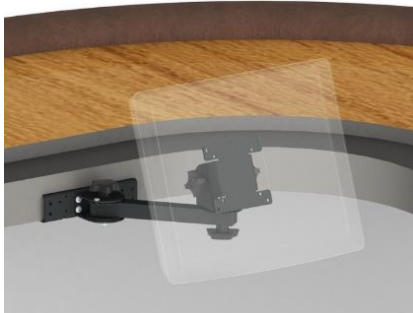
[Counter Top Mounts for Screens](#)



[Counter Top Mounts for POS Printers](#)



[Counter Top Mounts for Screens and POS Printers](#)



[Under Counter Mounts for Screens](#)



[Under Counter Mounts for POS Printers](#)



[Under Counter Mounts for Screens and POS Printers](#)

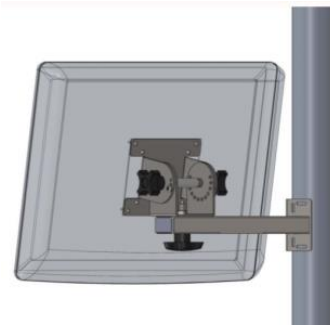
Interactive Catalog of Product Sub Groups

There are many individual products included in the various product sub groups featured on these pages.

Click on the images or descriptions to visit the individual product sub group pages on our website.

For Information about individual products; click on the "Product Attachments" tab on each of the individual product pages.

[Practical Quality Systems Home Page](#)



[Pole Mounts for Screens](#)



[Pole Mounts for POS Printers](#)



[Ceiling Mounts for Screens](#)



[Oracle MICROS Mounting Systems](#)



[NCR Aloha KDS Mounting Solutions](#)



[QSR KDS Mounting Solutions](#)



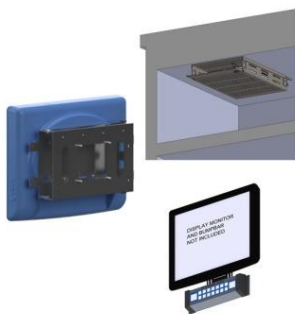
[Logic Controls Bematech KDS Mounting Solutions](#)



[Universal Kitchen Display System Mounting Packages](#)



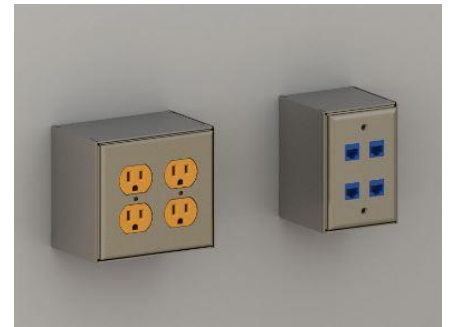
[Enclosures for Touchscreen, Monitors and Thin Clients](#)



[Back Of Screen VESA Mounts for Controllers, Thin Clients, Bump Bars, Tap+ Touch + EMV Readers](#)



[Stainless Steel Wireways](#)



[Stainless Steel Power and Data Outlet Monuments](#)

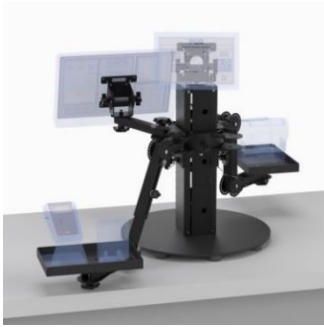
Interactive Catalog of Product Sub Groups

There are many individual products included in the various product sub groups featured on these pages.

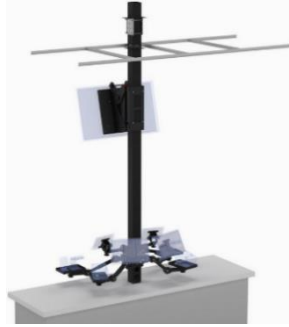
Click on the images or descriptions to visit the individual product sub group pages on our website.

For Information about individual products; click on the “Product Attachments” tab on each of the individual product pages.

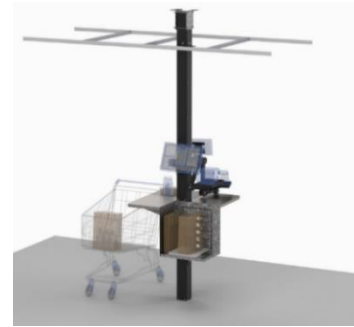
[Practical Quality Systems Home Page](#)



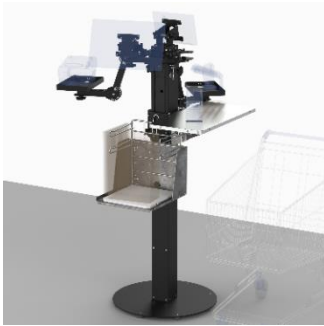
[Movable Countertop POS Stands](#)



[Direct Mount Countertop POS Stands](#)



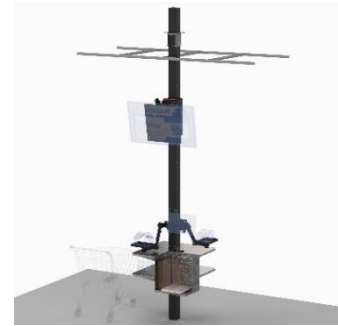
[POS Cashier Pole Stands](#)



[POS Cashier Floor Stands](#)



[POS Self-Check Out Kiosk Floor Stands](#)



[POS Self- Check Out Kiosk Pole Stands](#)



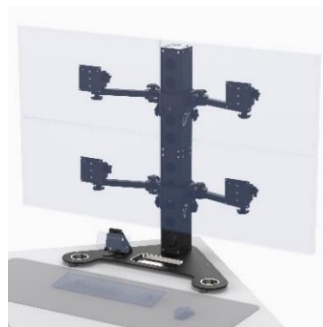
[Take Out Pickup Pole Stands](#)



[Take Out Pickup Floor Stands](#)



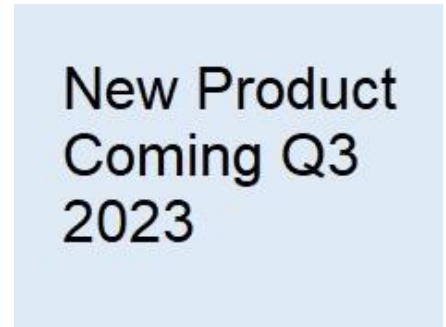
[Information Kiosk Floor Stands](#)



[Desktop Multi-Screen Pedestal Stands](#)



[4X4 Pole Clamp on Mounts](#)



[Mobile Cashier Stands](#)

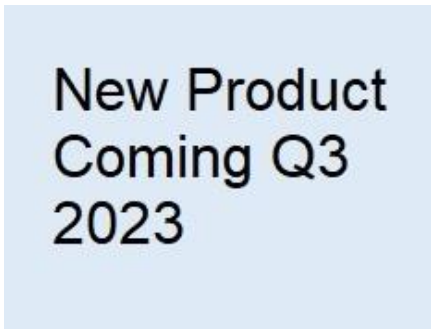
Interactive Catalog of Product Sub Groups

There are many individual products included in the various product sub groups featured on these pages.

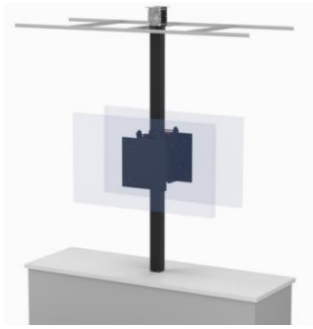
Click on the images or descriptions to visit the individual product sub group pages on our website.

For Information about individual products; click on the “Product Attachments” tab on each of the individual product pages.

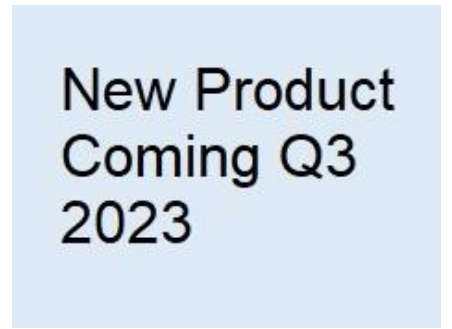
[Practical Quality Systems Home Page](#)



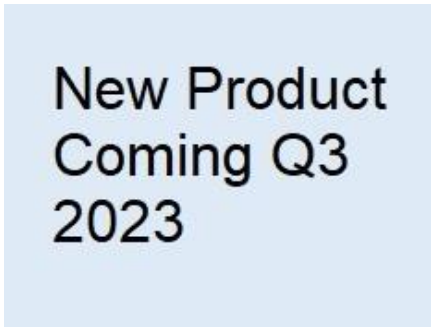
Mobile Self-Check Out Stands



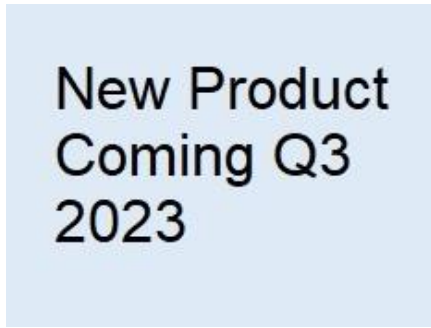
[Digital Signage Pole Stands](#)



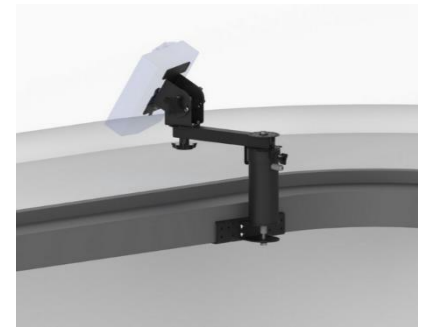
Stationary Podiums



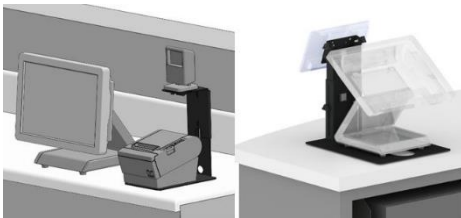
Stationary Podiums with Ceiling Feed Pole



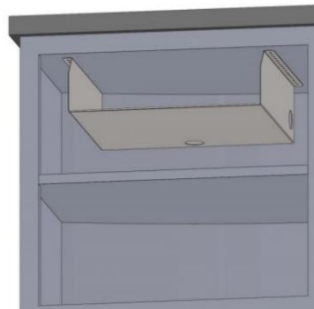
Mobile Podiums



[Ingenico Lane Reader Mounting Systems](#)



[Other Counter Top Mounts](#)



[Cash Drawer Mounting Solutions](#)