

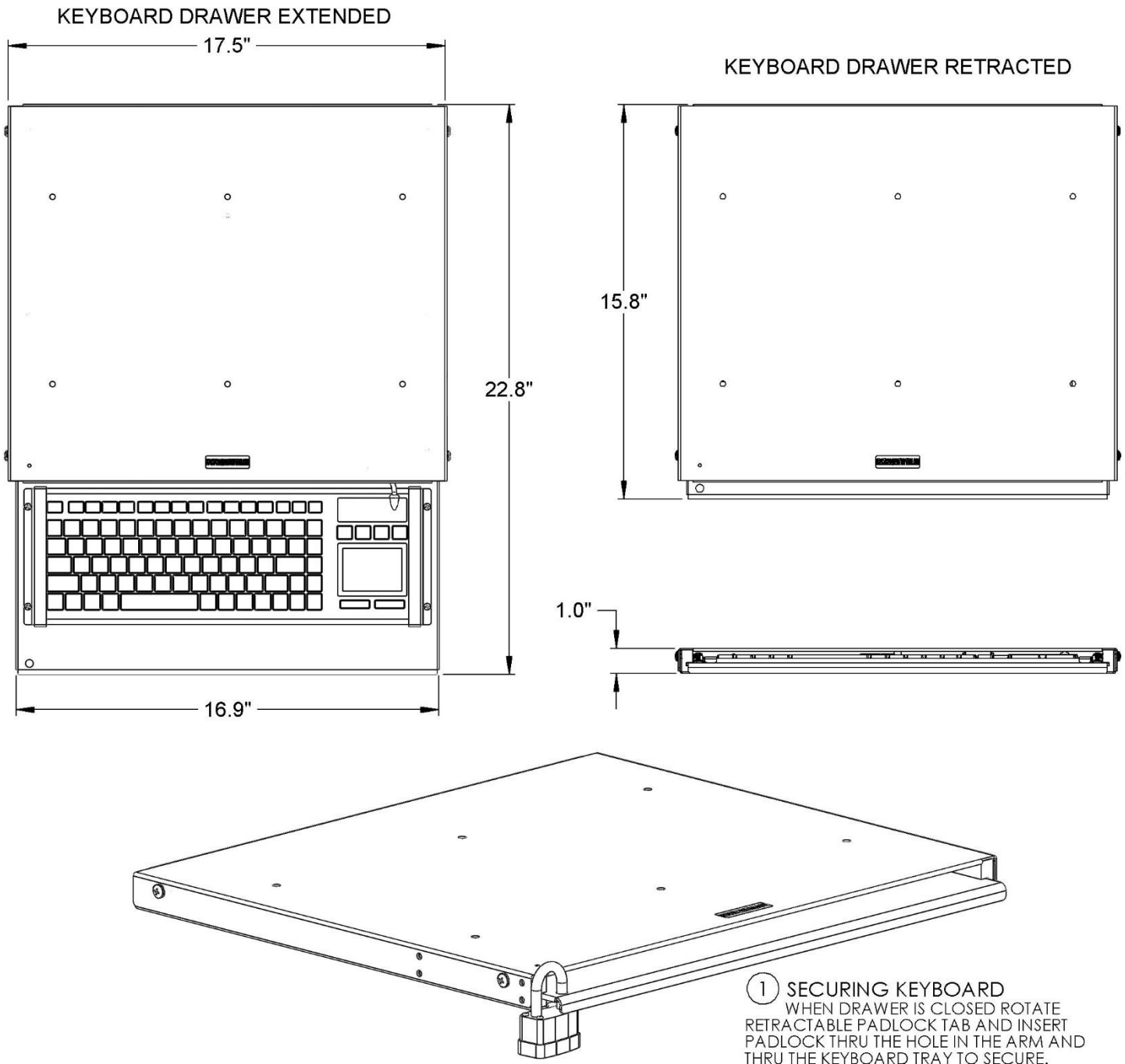
PQS

PRACTICAL QUALITY SYSTEMS

Fast Custom Manufacturing - Nationwide Installation Services



Note: One Inch Tall Pullout Keyboard Drawer with Low Profile All in One Waterproof Keyboard



PRODUCT SPECIFICATIONS:

General Features

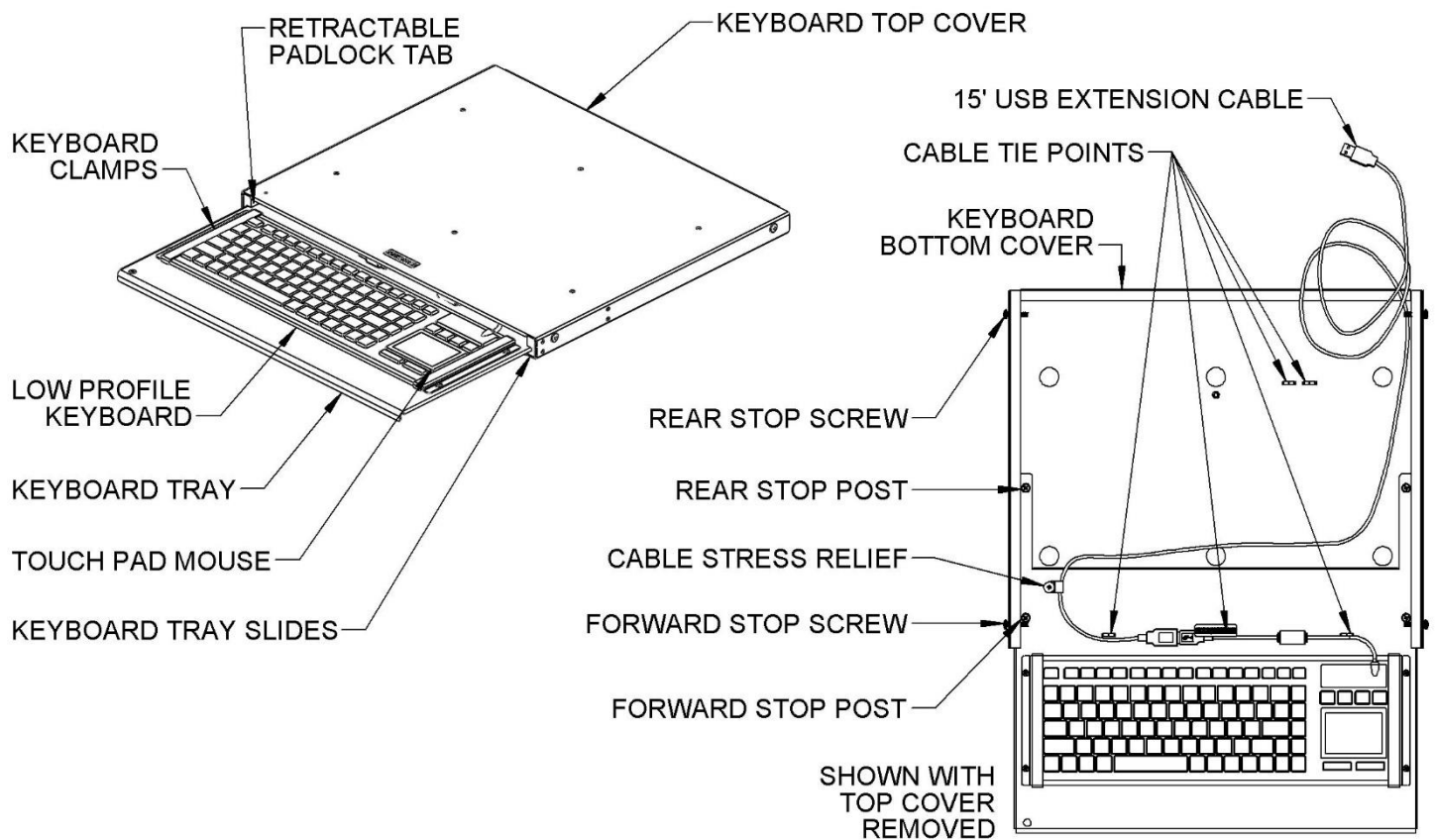
- Keyboard Drawer low one inch profile allows the drawer to fit in with other equipment without taking up valuable space. Overall dimensions: Width 17.5 in (444.5mm) x Depth 15.8 in (401.3mm) x Height: 1.0 in (25.4mm)
- The low one inch profile of this keyboard drawer maximizes valuable counter top space by allowing other equipment to be stacked directly on top of it.
- Can be easily mounted under a counter top or shelf.
- Includes 15 foot long USB extension cable.
- Optional rack mount compatible model installs in any 1U 19" equipment rack space; P/N: 80681

Keyboard Tray Features

- The keyboard tray is made of 16 gauge steel and can allow objects up to 5 pounds to be placed directly on top of the drawer.
- The keyboard tray includes a finger pull bar, a 2" deep wrist rest area and dual clamping brackets that secure the keyboard to the tray.
- The keyboard tray travels silently and smoothly on heavy duty slides that carry a lifetime replacement warranty.
- The tray extends out from the drawer housing 7.75"
- The tray can be easily locked in the closed position with any common pad lock.

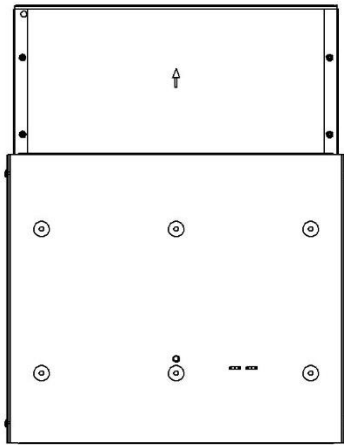
Keyboard Features and Specifications

- Silicone "All-in-One" Medical Grade USB Keyboard with Built-in Touchpad Pointing Device, Limited Lifetime Warranty, Windows compatible.
- USB connectivity, quick connect feature allows the keyboard to be easily disconnected from the assembly for cleaning, 24k Gold-plated USB Connector to prevent corrosion.
- Black silicone exterior, equipped with blue LED backlight technology, Integrated Touch Pad pointing device, UV reinforced keys, full size 90 Key layout.
- Waterproof, fully submersible, washable, dishwasher Safe and is manufactured to IP-68 standards.
- Antimicrobial; SILVER SEAL™ infused silicone for antimicrobial protection of the keyboard surface; this technology protects the keyboard between washings.
- Fold out Keyboard Tray overall dimensions are: Width 18 in (457mm) x Depth 2.4 in (61mm) x Height: 9.2 in (234mm)



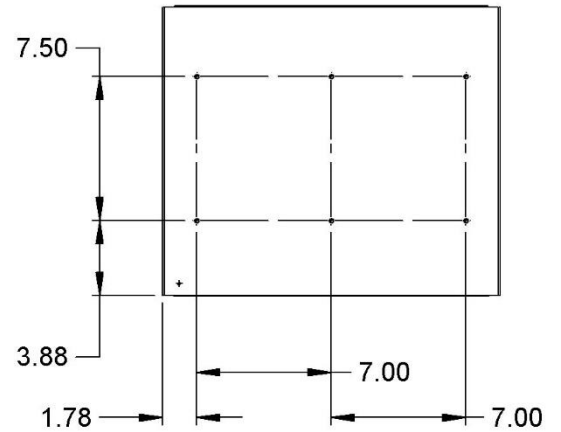
INSTALLATION INSTRUCTIONS

INSTALLING KEYBOARD DRAWER UNDER A COUNTERTOP OR SHELF



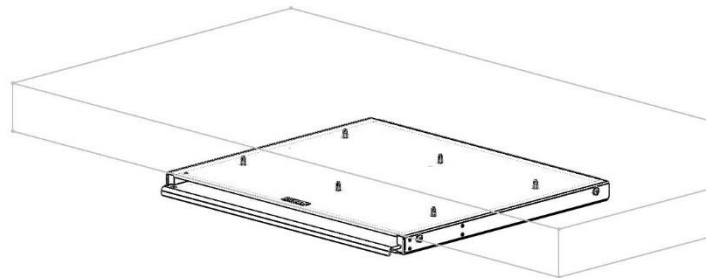
① **MARK THE MOUNTING HOLES**
 ONCE THE KEYBOARD DRAWER IS HELD IN THE PROPER LOCATION FOR MOUNTING, PULL THE KEYBOARD DRAWER OUT AS FAR AS IT WILL GO TO MARK THE LOCATIONS SHOWN ON LEFT OR CREATE A TEMPLATE FROM THE DIMENSIONS ON RIGHT TO LOCATE THE HOLES.

② **MARK MOUNTING HOLES**
 DRILL A PILOT HOLE FOR A #10 SCREW IN THE MARKED LOCATIONS.

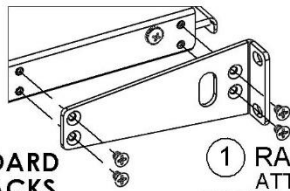


MOUNTING HOLE LOCATIONS

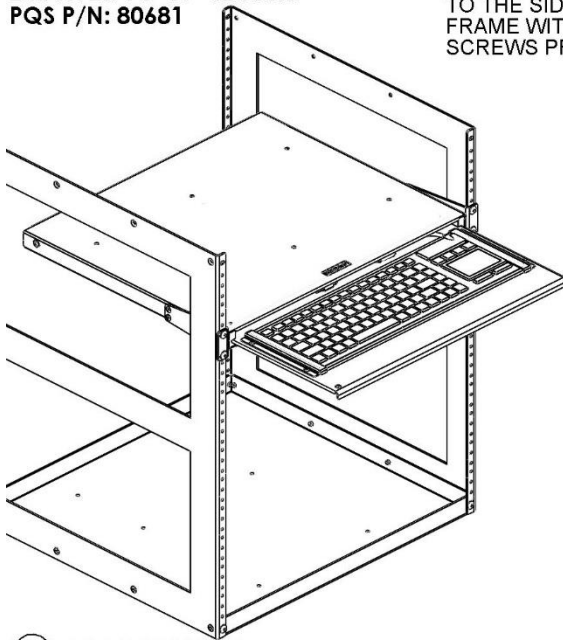
③ **ATTACHING THE KEYBOARD DRAWER TO THE UNDERSIDE OF A COUNTERTOP**
 PLACE KEYBOARD TRAY IN POSITION FOR MOUNTING AND WITH THE KEYBOARD TRAY STILL FULLY EXTENDED ATTACH WITH SIX (6) #10-16 x 0.5" LONG SELF TAPPING SCREWS.



INSTALLING KEYBOARD DRAWER TO 19" RACKS
 PQS P/N: 80681

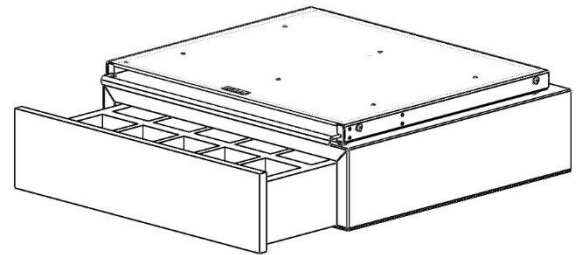


① **RACK MOUNT EARS**
 ATTACH EACH 'L' BRACKET TO THE SIDES OF THE DRAWER FRAME WITH FOUR (4) 8-32 SCREWS PROVIDED.

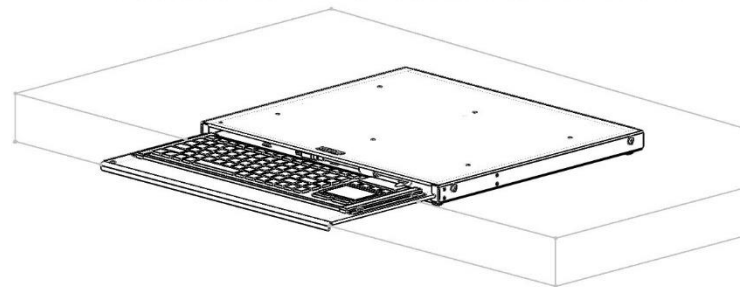


② **RACK MOUNT**
 ATTACH THE DRAWER TO THE 19" RACK MOUNT WITH FOUR (4) 10-32 SCREWS.

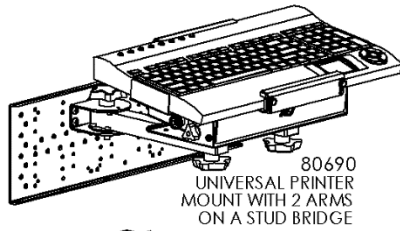
INSTALLING KEYBOARD DRAWER ON TOP OF A CASH DRAWER OR COUNTERTOP



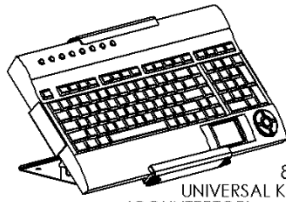
① **ON TOP OF A SURFACE**
 ATTACH THE FOUR (4) RUBBER FEET TO THE BOTTOM OF THE DRAWER FRAME IN THE FOUR CORNERS BEFORE PLACING ON TOP OF CASH DRAWER OR COUNTERTOP.



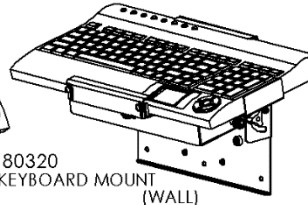
MOUNTING OPTIONS:



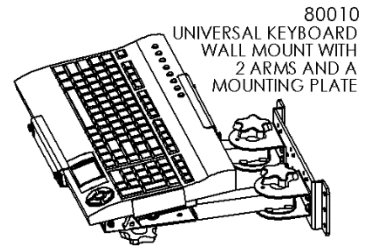
80690
UNIVERSAL PRINTER
MOUNT WITH 2 ARMS
ON A STUD BRIDGE



80320
UNIVERSAL KEYBOARD MOUNT
(COUNTERTOP)

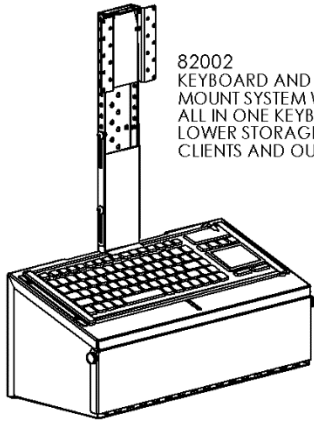


(WALL)

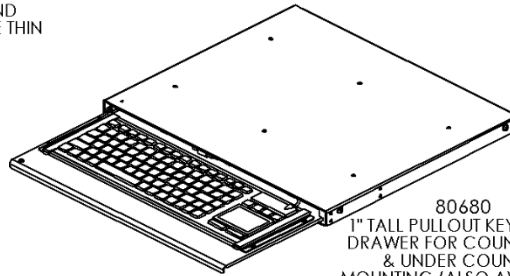


80010
UNIVERSAL KEYBOARD
WALL MOUNT WITH
2 ARMS AND A
MOUNTING PLATE

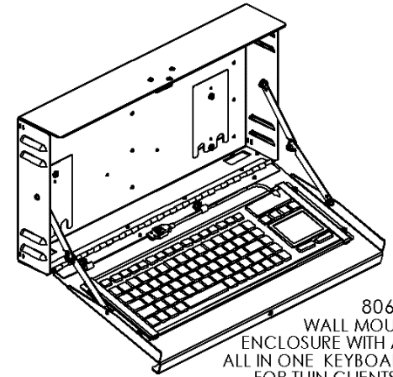
MOUNTS ARE SHOWN WITH OPTIONAL ALL IN ONE KEYBOARDS (PQS P/N: 30069)



82002
KEYBOARD AND SCREEN WALL
MOUNT SYSTEM WITH LOW PROFILE
ALL IN ONE KEYBOARD AND
LOWER STORAGE FOR THE THIN
CLIENTS AND OUTLETS



80680
1" TALL PULLOUT KEYBOARD
DRAWER FOR COUNTERTOP
& UNDER COUNTER
MOUNTING (ALSO AVAILABLE
IN RACK MOUNT - P/N 80681)



80682
WALL MOUNT
ENCLOSURE WITH AN
ALL IN ONE KEYBOARD
FOR THIN CLIENTS &
TABLET PC'S

ALL IN ONE KEYBOARDS WITH TOUCH PAD MOUSE (PQS P/N: 30064) ARE INCLUDED IN P/N's 82001, 80680, 80681, & 80682

Interactive Catalog of Product Sub Groups

There are many individual products included in the various product sub groups featured on these pages.

Click on the images or descriptions to visit the individual product sub group pages on our website.

For Information about individual products; click on the "Product Attachments" tab on each of the individual product pages.

[Practical Quality Systems Home Page](#)



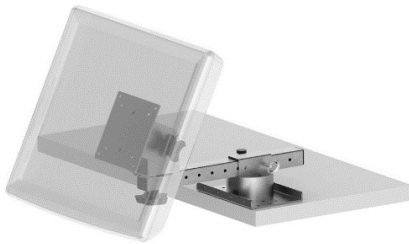
[Wall Mounts for Screens](#)



[Wall Mounts for POS Printers](#)



[Wall Mounts for Screens and POS Printers](#)



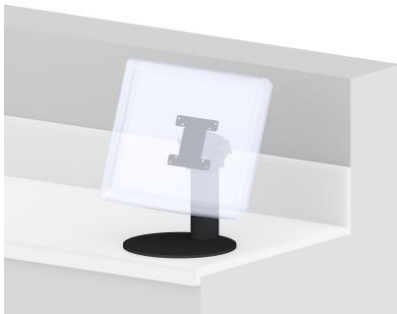
[Shelf Edge Mounts for Screens](#)



[Shelf Edge Mounts for POS Printers](#)



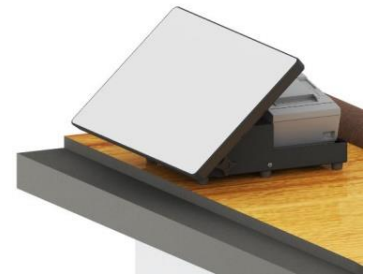
[Shelf Edge Mounts for Screens and POS Printers](#)



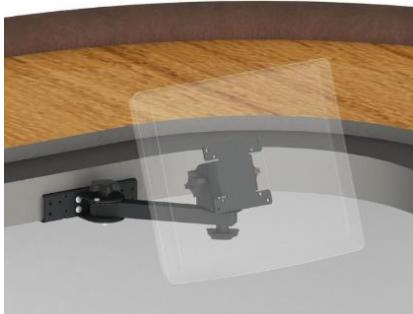
[Counter Top Mounts for Screens](#)



[Counter Top Mounts for POS Printers](#)



[Counter Top Mounts for Screens and POS Printers](#)



[Under Counter Mounts for Screens](#)



[Under Counter Mounts for POS Printers](#)



[Under Counter Mounts for Screens and POS Printers](#)

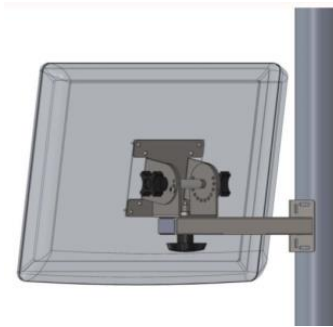
Interactive Catalog of Product Sub Groups

There are many individual products included in the various product sub groups featured on these pages.

Click on the images or descriptions to visit the individual product sub group pages on our website.

For Information about individual products; click on the "Product Attachments" tab on each of the individual product pages.

[Practical Quality Systems Home Page](#)



[Pole Mounts for Screens](#)



[Pole Mounts for POS Printers](#)



[Ceiling Mounts for Screens](#)



[Oracle MICROS Mounting Systems](#)



[NCR Aloha KDS Mounting Solutions](#)



[QSR KDS Mounting Solutions](#)



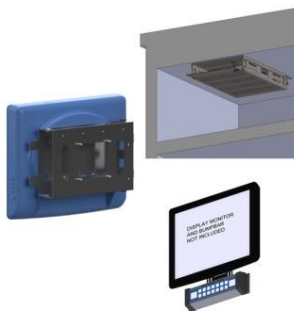
[Logic Controls Bematech KDS Mounting Solutions](#)



[Universal Kitchen Display System Mounting Packages](#)



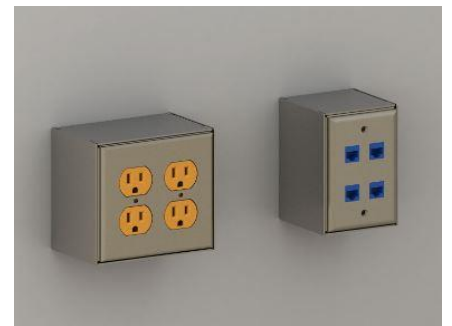
[Enclosures for Touchscreen, Monitors and Thin Clients](#)



[Back Of Screen VESA Mounts for Controllers, Thin Clients, Bump Bars, Tap+ Touch + EMV Readers](#)



[Stainless Steel Wireways](#)



[Stainless Steel Power and Data Outlet Monuments](#)

Interactive Catalog of Product Sub Groups

There are many individual products included in the various product sub groups featured on these pages.

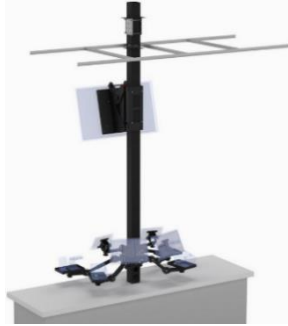
Click on the images or descriptions to visit the individual product sub group pages on our website.

For Information about individual products; click on the "Product Attachments" tab on each of the individual product pages.

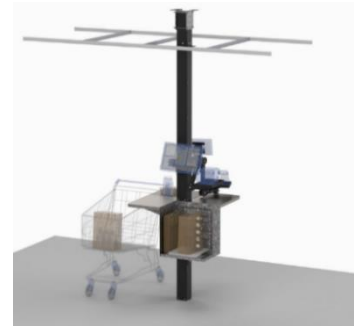
[Practical Quality Systems Home Page](#)



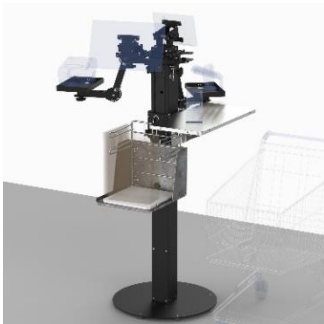
[Movable Countertop POS Stands](#)



[Direct Mount Countertop POS Stands](#)



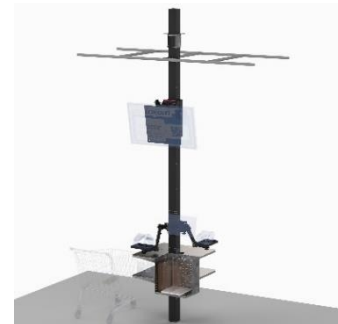
[POS Cashier Pole Stands](#)



[POS Cashier Floor Stands](#)



[POS Self-Check Out Kiosk Floor Stands](#)



[POS Self-Check Out Kiosk Pole Stands](#)



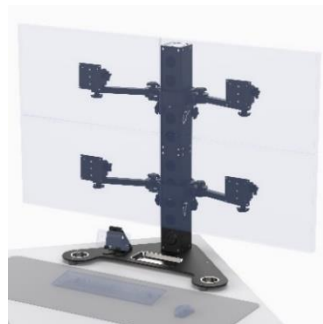
[Take Out Pickup Pole Stands](#)



[Take Out Pickup Floor Stands](#)



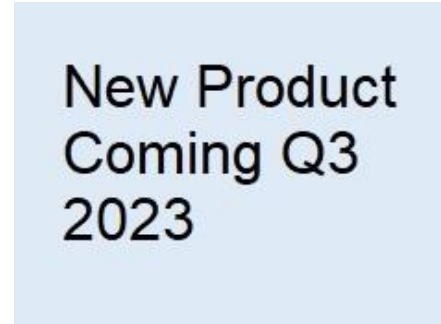
[Information Kiosk Floor Stands](#)



[Desktop Multi-Screen Pedestal Stands](#)



[4X4 Pole Clamp on Mounts](#)



[Mobile Cashier Stands](#)

Interactive Catalog of Product Sub Groups

There are many individual products included in the various product sub groups featured on these pages.

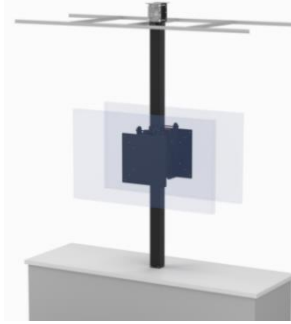
Click on the images or descriptions to visit the individual product sub group pages on our website.

For Information about individual products; click on the "Product Attachments" tab on each of the individual product pages.

[Practical Quality Systems Home Page](#)

New Product
Coming Q3
2023

Mobile Self-Check Out Stands



[Digital Signage Pole Stands](#)

New Product
Coming Q3
2023

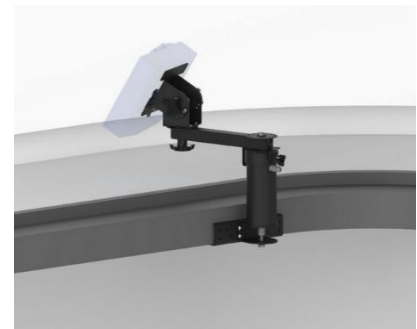
Stationary Podiums

New Product
Coming Q3
2023

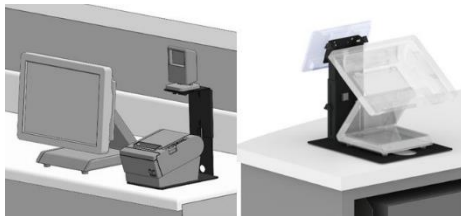
Stationary Podiums with Ceiling Feed Pole

New Product
Coming Q3
2023

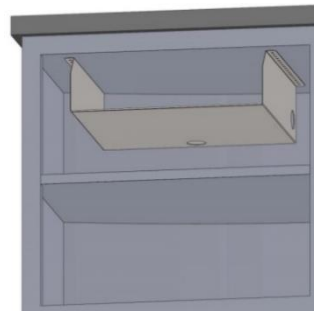
Mobile Podiums



[Ingenico Lane Reader Mounting Systems](#)



[Other Counter Top Mounts](#)



[Cash Drawer Mounting Solutions](#)