

# PQS

PRACTICAL QUALITY SYSTEMS  
*Fast Custom Manufacturing - Nationwide Installation Services*



PN 81556 shown as viewed from customer side.

POS Equipment and peripherals for illustration purposes only; equipment not included.

[info@practicalqualitysystems.com](mailto:info@practicalqualitysystems.com)

[WWW.PRACTICALQUALITYSYSTEMS.COM](http://WWW.PRACTICALQUALITYSYSTEMS.COM)

(818) 993-1022

**ALL PRODUCTS PATENT PENDING**

Page	Table of Contents Page 1
1	Cover page
2	Table of Contents Page 1
3	Table of Contents Page 2
4	Overview of 24X24 Kiosk Cabinets; Totally Modular, Totally Customizable!
	<b>Product Assembly Diagrams and Parts Lists</b>
5	PN 81554 BOM
6	PN 81555 BOM
7	PN 81556 BOM
8	Understanding the Internal Modular Functionality of the 24X24 Cabinet Assembly
9	Understanding the External Modular Functionality of the 24X24 Cabinet Assembly
	<b>Sub-assembly Diagrams and Information</b>
10	Basic 24x24 Mobile Cabinet with 18”H Multi- Arm Pedestal System, Folding Side Tables and Fold out Stabilizer Legs with wheels.
11	PN 21308 24X24 Cabinet 4PC Stabilizer Legs+ Wheels
12	PN 21316 24X24 Cabinet Interior Shelf
13	PN 21318 24X24 Cabinet Full Door
14	PN 21311 24X24 Cabinet 12X24 Folding Side Table
15	PN 21310 24X24 Cabinet 12X36 Folding Side Table
16	PN 21328 T Shirt Bag Holder Kit
17	PN 51063 Pedestal Channel Pass Through Mounting Bracket
18	PN 21266 18” Pedestal Channel Assembly
19	PN 21280 Arm Collar Assembly that supports up to four adjustable Arms
20	PN 21240 8” Straight Adjustable Arm Assembly + Standard 75-100mm VESA Pan-Tilt Head Part 1 of 2
21	PN 21240 8” Straight Adjustable Arm Assembly + Standard 75-100mm VESA Pan-Tilt Head Part 2 of 2
22	PN 21246 Fully Articulating Arm Assembly with POS Printer or Peripheral Equipment Tray
23	PN 21252 Fully Articulating Extendable Arm Assembly with POS Printer or Peripheral Equipment Tray
24	PN 70444 2” Round 1 Power Receptacle + 2X USB-A Outlet 6.5 Ft. cord
25	PN 21320 24X24 Cabinet Transport Hand Strap
	<b>Assembly and Installation Instructions</b>
26	Introduction to Installation instructions
27	Unpacking the cabinet
28	Installing Stem Casters on the Stabilizer legs of a Mobile Cabinet
29	Safety Guidelines for Mobile Cabinets with Stabilizer Legs and wheels.
30	Operating the Stabilizer Legs, Part 1 of 3
31	Operating the Stabilizer Legs, Part 2 of 3
32	Operating the Stabilizer Legs, Part 3 of 3
33	Installing and using the Transport Straps on a Mobile Cabinet
34	Understanding the basic functions of the Pedestal Channel Assembly
35	Understanding the basic functions of the Arm Collar Assembly

<b>Page</b>	<b>Table of Contents Page 2</b>
	<b>Assembly and Installation Instructions continued</b>
36	Attaching a mounting bracket to the top of a 24X24 Cabinet for an 18" Pedestal or A 4X4 Pole assembly that spans to the ceiling
37	Attaching an 18" Pedestal section to the top of a 24X24 cabinet
38	Installing an Arm Collar Assembly onto a Pedestal Channel section
39	Assembling the lower half of an Articulating Extendable arm on an arm collar assembly
40	Attaching a VESA Pan and Tilt Head to the Back of a Screen
41	Installing a screen with an attached VESA Pan and Tilt Head on the end of an Arm
42	Attaching a POS Printer or Peripheral Equipment Tray to the end of an Arm
43	Assembling a 12X36 side table with fixed or folding shelf brackets Part 1 of 2
44	Assembling a 12X36 side table with fixed or folding shelf brackets Part 2 of 2
45	Assembling a 12X24 side table with fixed or folding shelf brackets Part 1 of 2
46	Assembling a 12X24 side table with fixed or folding shelf brackets Part 2 of 2
47	Installing and operating the support latch on a 12X36 Side Table
48	Attaching a Folding or Fixed Side Table to a 24X24 Cabinet, Part 1 of 3
49	Attaching a Folding or Fixed Side Table to a 24X24 Cabinet, Part 2 of 3
50	Attaching a Folding or Fixed Side Table to a 24X24 Cabinet, Part 3 of 3
51	Installing and routing cabling from inside a Pedestal Channel to the Arms on an arm collar or to a Top Cap mounted Pan and Tilt head
52	Installing a T Shirt Bag Holder on a 12X24 or 12X36 Stainless Side Table or Shelf Part 1 of 2
53	Installing a T Shirt Bag Holder on a 12X24 or 12X36 Stainless Side Table or Shelf Part 2 of 2
54	Introduction to the 4X4 Pole Systems Product Groups and links to Web Pages - Page 1
55	Introduction to the 4X4 Pole Systems Product Groups and links to Web Pages - Page 3
56	Introduction to the 4X4 Pole Systems Product Groups and links to Web Pages - Page 2
57	Introduction to the 4X4 Pole Systems Product Groups and links to Web Pages - Page 4

**Overview of 24X24 Kiosk Cabinets; Totally Modular, Totally Customizable!**

All standard POS Kiosks, Self-Check Out Kiosks or Podium Cabinets include a stainless-steel table top, measure 24" Wide, 24" Deep, are from 34-36" tall and can be configured with MANY options.

All individual components are modular and interchangeable allowing a great variety of configuration options that ensures the ability to easily reconfigure systems in the future. These systems are made for the most demanding environments and the most dynamic applications.

**4X4 Pedestal and Pole Assemblies** - These attach to the center of the table top and range from an 18" tall Pedestal to a Pole System that connects to the ceiling and supports large screen displays. Both assemblies can include multiple adjustable arms that support VESA compatible screens and other peripheral equipment. The Basic VESA Pedestal Mount supports a single screen. All assemblies allow cabling to be concealed internally.

**Fixed or Folding Side Tables and Lower Shelves** - Available in 12" D X 24" or 36" L configurations; when used with the 24"X 24" square center table they create a 48" W x 36" D work surface. Side tables can also be installed as shelving half way down the front, right and left sides of the cabinet. Side tables and shelves on mobile cabinets fold down to simplify transport.

**Folding Rear Side Shelf** – These attach to the right, left or both rear corners of the cabinet and can be used as a bagging station with or without a T shirt bag holder or can support a scale or other equipment. Rear side shelves easily fold behind the cabinet for transport in mobile applications.

**Adjustable Leveling Feet with Hold down Brackets** - All stationary cabinets include four heavy duty leveling feet and a set of hold down brackets that are used to secure the base of the cabinet to the floor.

**Caster Wheels for Mobile Cabinets** - Heavy duty swiveling wheels with brakes attach directly to the bottom of cabinet assemblies without side tables. On Mobile Cabinet assemblies with Side tables; wheels are attached to the ends of Folding Stabilizer Legs to increase stability. All mobile cabinets also include removable transport hand straps.

**Standard Bumpers** – All Cabinets include a set of attractive; yet heavy duty, stainless steel, rounded bumpers with two installed vertically on the right and left front corners and three installed horizontally along the bottom edges of the front, right and left sides.

**Internal shelves** - Up to three shelves can be installed inside of the cabinet to create a variety of differently sized internal cabinet spaces. When combined with the bottom panel; up to four separate internal shelf spaces are created.

**Doors** – A Full door covers the entire rear of the cabinet while a half door can cover the upper, lower or both halves of the rear of the cabinet. All doors include magnetic latches and provision for optional cam locks.

**Drawers** - Half size drawers can cover the upper, lower or both halves of the rear of the cabinet or up to four quarter size drawers can also be installed. Drawers include integral pulls and provision for optional cam locks.

**Slide Out 19" Equipment Rack Drawer** - Equipment rack drawers are sized to provide up to 7U of rack space and can be installed on top of the bottom panel or on top of the internal middle shelf.

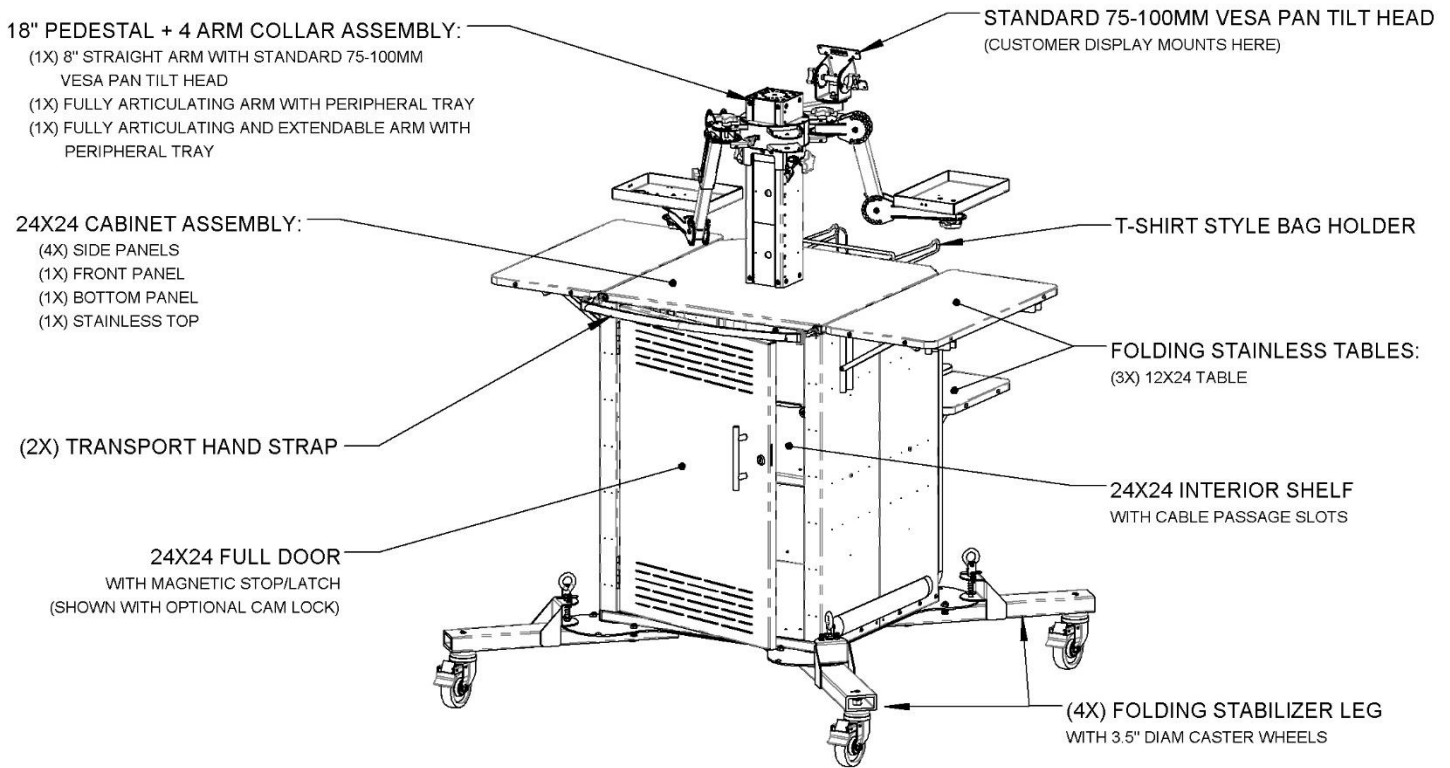
**Reinforcement Beams** - One heavy duty, galvanized steel beam spans the underside of the 24"X 24" cabinet table top to support Pedestal or Pole assemblies, two additional beams span across the bottom panel to support the cabinet assembly with adjustable leveling feet in stationary applications, or wheels in mobile applications.

**Multiple Cable Routing options** - Pedestal or Pole assemblies attached to the table top allow concealed internal cable routing. The top front right and left corners of the cabinet include cable grommets for cabling from equipment on the table top or side tables. Interior shelves and bottom panel have slots for routing cables vertically through the inside of the cabinet and up from below the cabinet.

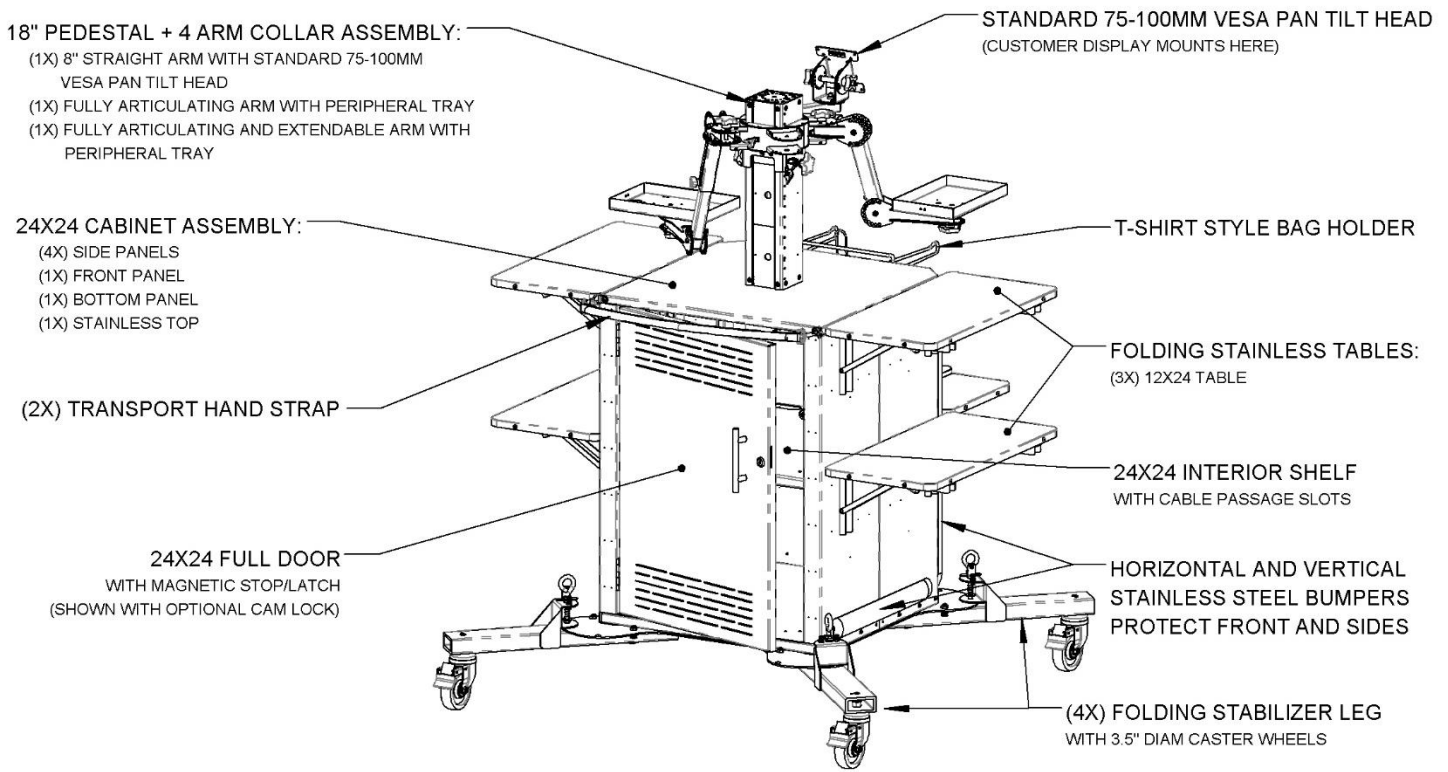
**What makes these systems different?**

- No engineering degree required to understand how the individual components fit together.
- The modular design allows total system flexibility for simplified customization.
- Designing a system doesn't require hiring an architect.
- There's no lost time waiting for custom millwork or fixtures having to be made to fit your space.
- No need to cut and trench concrete floors; these systems can feed power and data down from the ceiling.
- You don't need to deal with multiple contractors; these systems can be installed by any competent electrician.
- The systems are modular and can be easily reconfigured if your needs change.
- There are NO molded plastic structural parts to break or wear out, NO pneumatic cylinders to fail, and NO special tools required for position adjustment.

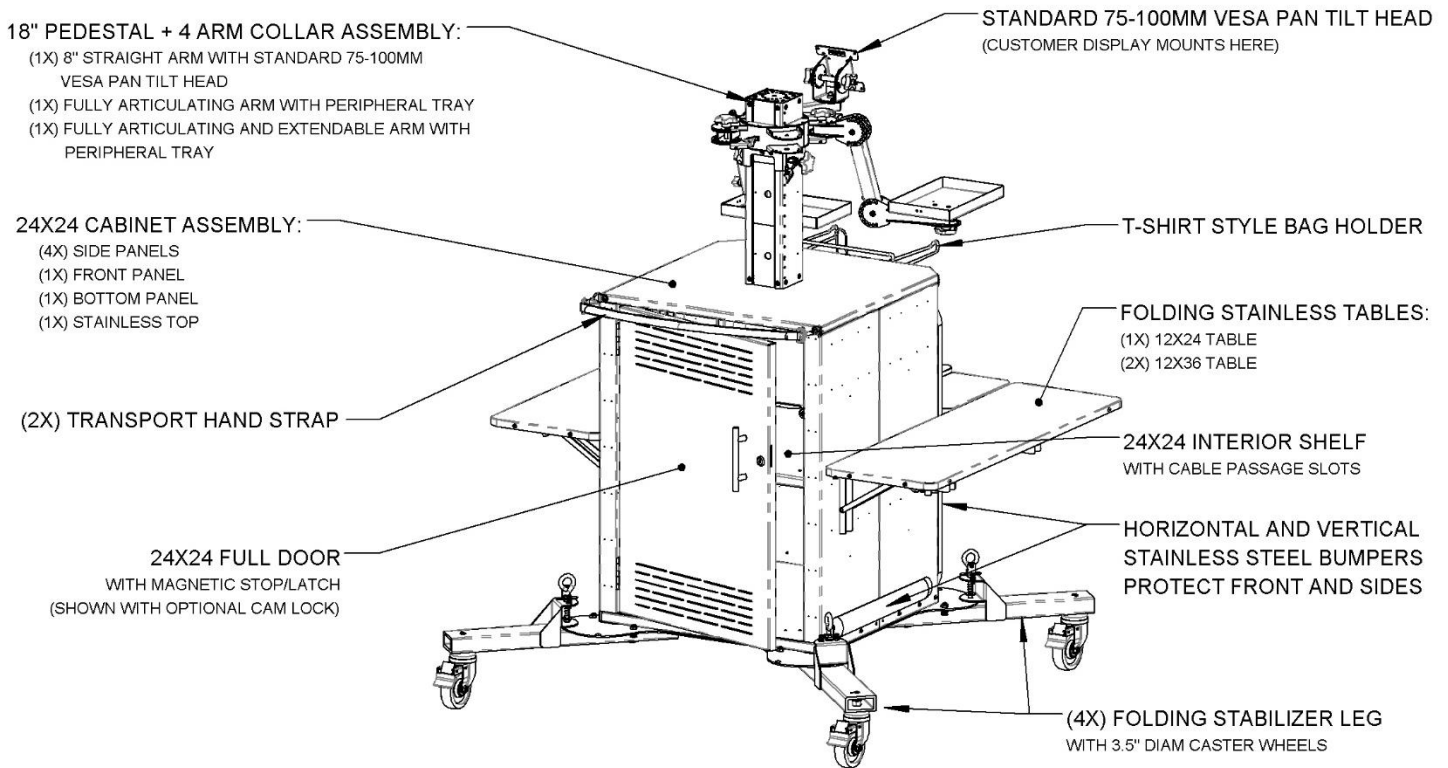
**Need something special?** Our in-house design team offers fast turnaround on custom parts. If you wish to order a quantity of custom products, we will create a new assembly specifically pre-configured for your application.



PN 81554 Mobile Self-Check Out Kiosk – 24X24 Cabinet + Accessory Pack 1		
PN	QTY	DESCRIPTION
21303	1	24X24 Cabinet Basic Assembly
21308	1	24X24 Cabinet 4PC Stabilizer Legs+ Wheels Kit
21311	3	24X24 Cabinet 12"X 24" Folding Side Table Kit
21316	1	24X24 Cabinet Interior Shelf Kit
21318	1	24X24 Cabinet Full Door Kit
21328	1	T Shirt Bag Holder Kit
21320	2	24X24 Cabinet Transport Hand Strap Kit
21258	1	Movable Pedestal Channel or Extension Section Mounting Bracket Kit
21266	1	18" Pedestal Channel Assembly
21254	1	Pedestal Top Cap Kit
21280	1	Arm Collar Assembly
21252	1	Fully Articulating Extendable Arm + Printer Tray Assembly
21246	1	Fully Articulating Arm + Printer Tray Assembly
21240	1	8" Adjustable Arm + Standard VESA Pan and Tilt Head Assembly
21284	1	Pedestal Channel Cable Management Kit
70444	1	2" Round 1 Power receptacle + 2X USB-A Outlet 6 Ft. cord, Black
30092	1	3 Outlet Power strip 6 Ft. cord Black



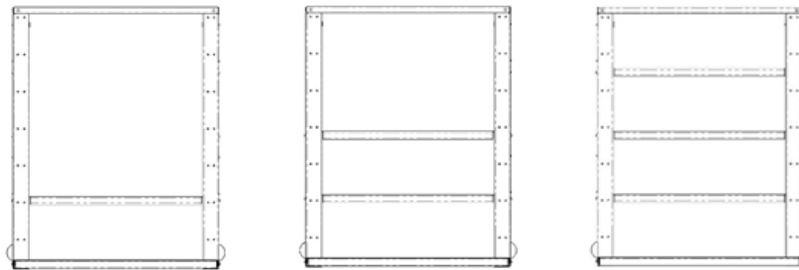
PN 81555 Mobile Self-Check Out Kiosk – 24X24 Cabinet + Accessory Pack 2		
PN	QTY	DESCRIPTION
21303	1	24X24 Cabinet Basic Assembly
21308	1	24X24 Cabinet 4PC Stabilizer Legs+ Wheels Kit
21311	1	24X24 Cabinet 12"X 24" Folding Side Table Kit
21310	2	24X24 Cabinet 12"X 36" Folding Side Table Kit
21316	1	24X24 Cabinet Interior Shelf Kit
21318	1	24X24 Cabinet Full Door Kit
21328	1	T Shirt Bag Holder Kit
21320	2	24X24 Cabinet Transport Hand Strap Kit
21258	1	Movable Pedestal Channel or Extension Section Mounting Bracket Kit
21266	1	18" Pedestal Channel Assembly
21280	1	Arm Collar Assembly
21252	1	Fully Articulating Extendable Arm + Printer Tray Assembly
21246	1	Fully Articulating Arm + Printer Tray Assembly
21240	1	8" Adjustable Arm + Standard VESA Pan and Tilt Head Assembly
21284	1	Pedestal Channel Cable Management Kit
70444	1	2" Round 1 Power receptacle + 2X USB-A Outlet 6 Ft. cord, Black
30092	1	3 Outlet Power strip 6 Ft. cord Black



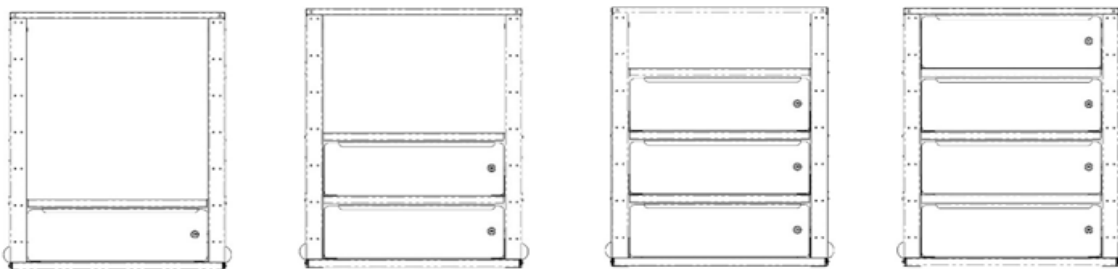
PN 81556 Mobile Self-Check Out Kiosk – 24X24 Cabinet + Accessory Pack 3		
PN	QTY	DESCRIPTION
21303	1	24X24 Cabinet Basic Assembly
21308	1	24X24 Cabinet 4PC Stabilizer Legs+ Wheels Kit
21310	2	24X24 Cabinet 12"X 36" Folding Side Table Kit
21311	3	24X24 Cabinet 12"X 24" Folding Side Table Kit
21316	1	24X24 Cabinet Interior Shelf Kit
21318	1	24X24 Cabinet Full Door Kit
21328	1	T Shirt Bag Holder Kit
21320	2	24X24 Cabinet Transport Hand Strap Kit
21258	1	Movable Pedestal Channel or Extension Section Mounting Bracket Kit
21266	1	18" Pedestal Channel Assembly
21280	1	Arm Collar Assembly
21252	1	Fully Articulating Extendable Arm + Printer Tray Assembly
21246	1	Fully Articulating Arm + Printer Tray Assembly
21240	1	8" Adjustable Arm + Standard VESA Pan and Tilt Head Assembly
21284	1	Pedestal Channel Cable Management Kit
70444	1	2" Round 1 Power receptacle + 2X USB-A Outlet 6 Ft. cord, Black
30092	1	3 Outlet Power strip 6 Ft. cord Black

### Understanding the Internal Modular Functionality of the 24X24 Cabinet Assembly

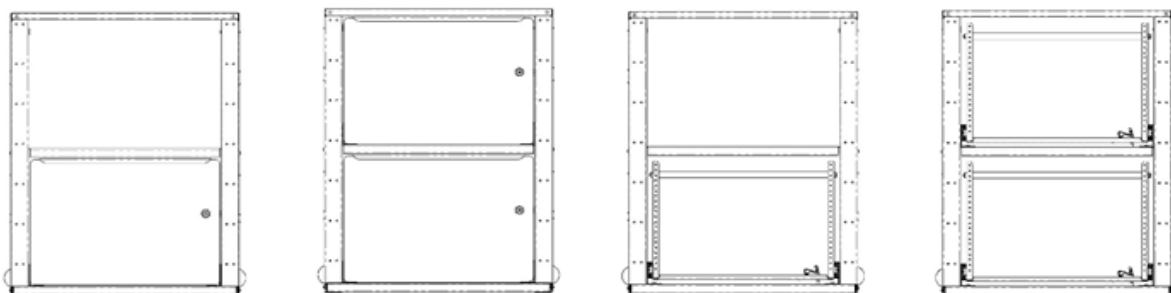
- The internal area of the 24x24 cabinet is designed so that it can be subdivided vertically with shelves installed at preset locations to create from 1 to 4 individual spaces in 6 configurations. These configurations are described in the sections below. Note; one shelf section is always installed at the bottom of the cabinet.
- The total usable internal height of the 24x24 cabinet is 30".
- The total useable internal depth of the 24x24 cabinet is 20.75"(with an additional 2" reserved for vertical cable passage.)
- Each half height shelf space is 14.5" H.
- Each quarter height shelf space is 6.75"H.



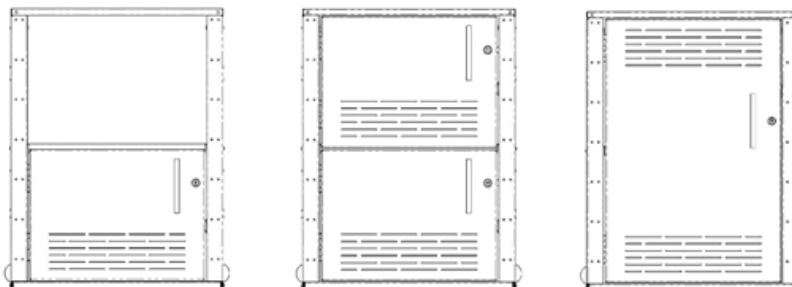
Cabinet with 1, 2 or 3 internal shelves



Cabinet with 1, 2, 3 or 4 quarter size drawers

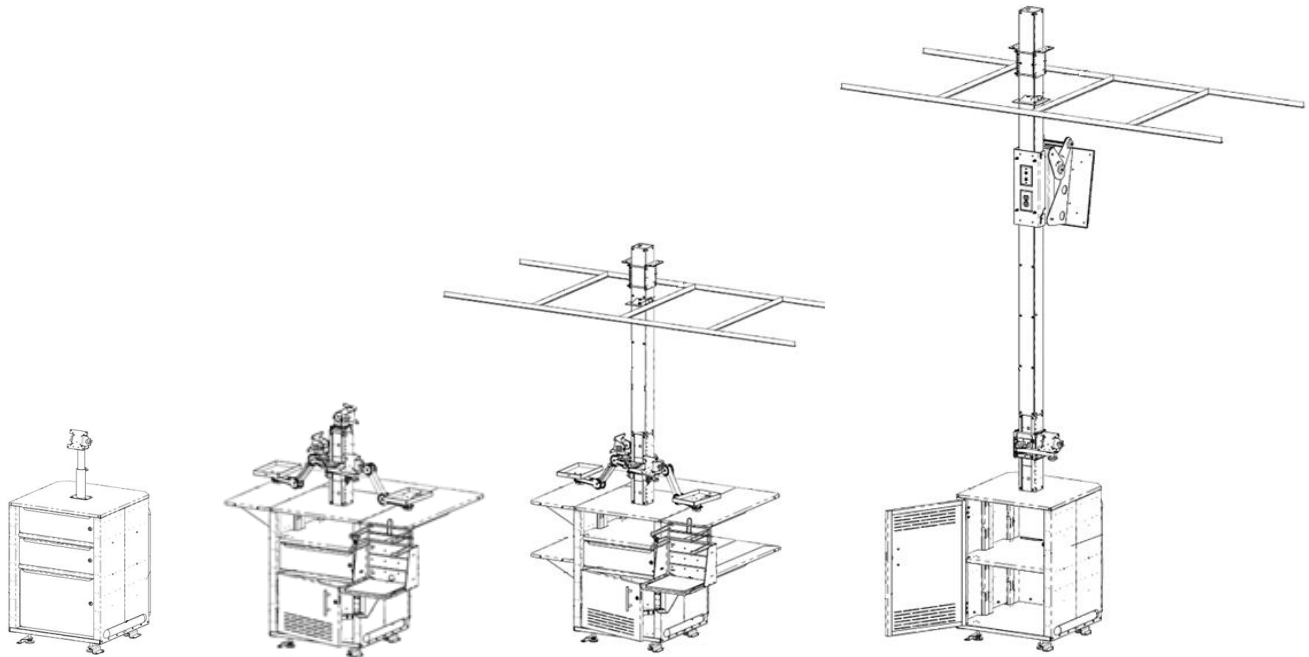


Cabinet with 1 or 2 half size drawers or rack mount drawers

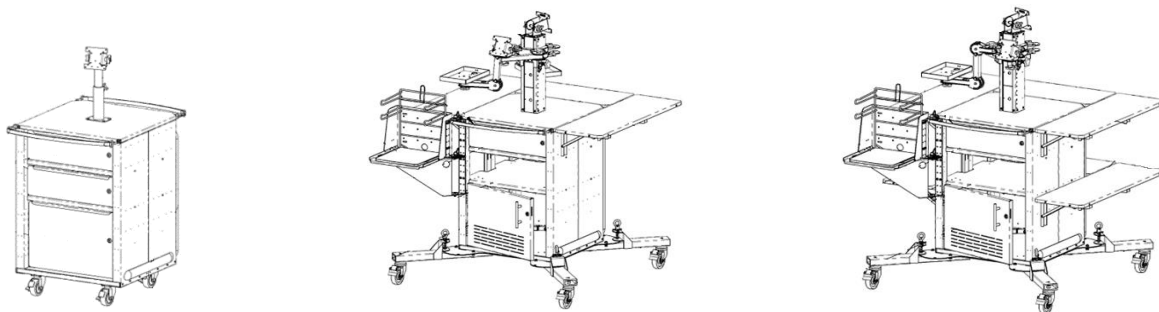


Cabinet with 1 or 2 half size doors or 1 full size door

## Understanding the External Modular Functionality of the 24X24 Cabinet Assembly



Fixed Cabinets with or without fixed Side Tables, Lower side Shelves, a single screen VESA pedestal, 18”H multi arm pedestal systems or pole systems that span to the ceiling that can support large screen displays.



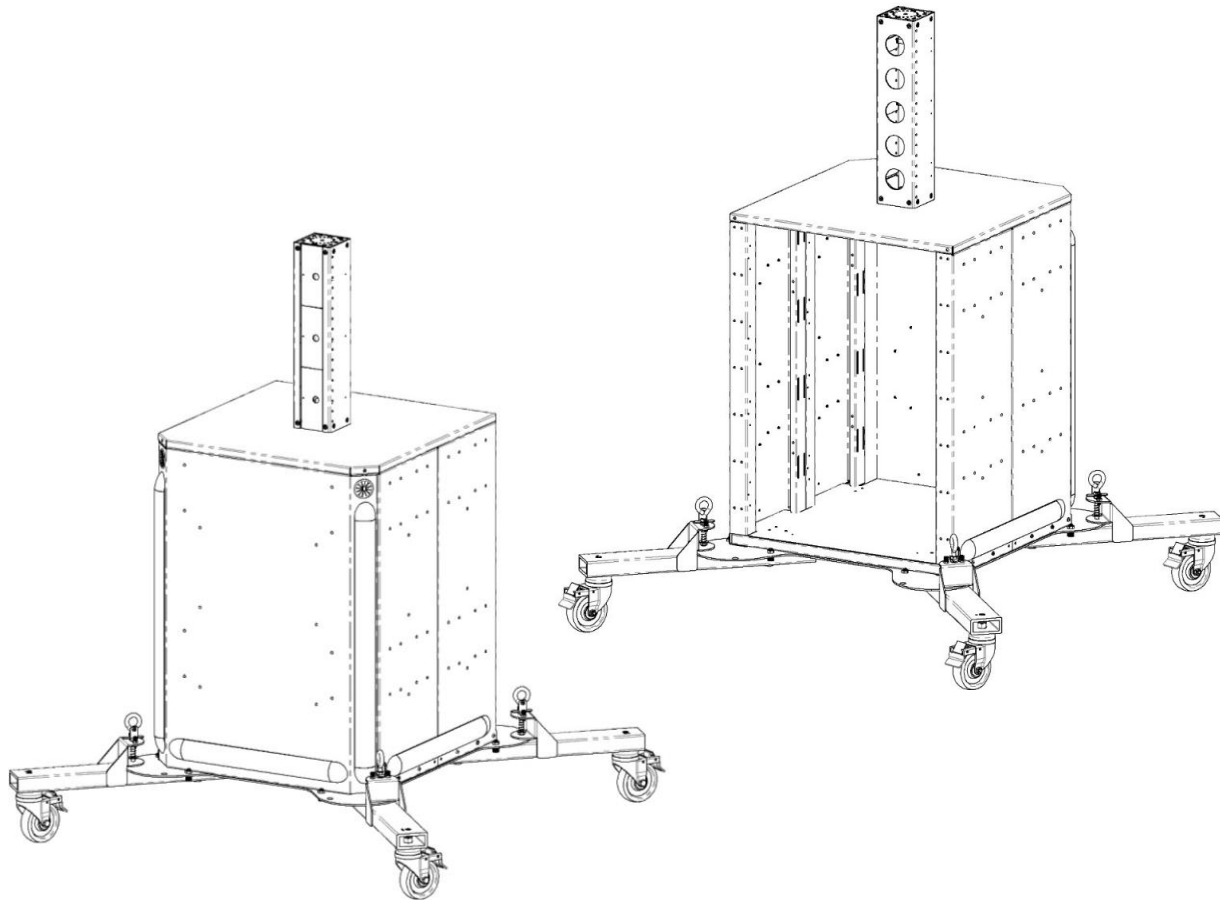
Mobile Cabinets with or without folding Side Tables, Lower side Shelves, a single screen VESA pedestal or 18”H multi arm pedestal systems and a folding Rear Side Shelf

### All cabinets include the following standard components:

- A 24” W x 24” D. stainless steel table top with an integral support beam.
- A front panel cable with two cable grommets, two vertical and one horizontal stainless bumper.
- Two side panels with integral support columns and two horizontal stainless bumpers.
- A bottom panel with two integral support beams and a cable path slot.
- Note - the cabinet front and side panels have multiple arrays of tiny “pilot” holes which indicate the locations where the holes must be drilled to install internal and external Side tables and Shelves.

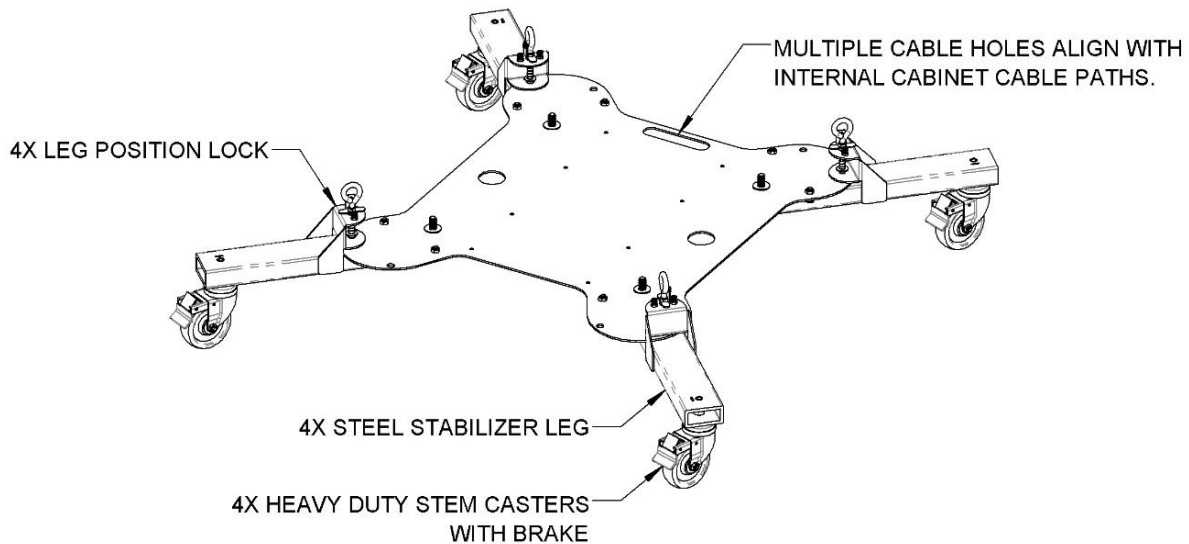
### Optional external accessories:

- Up to six Fixed or Folding Side Tables and Lower Shelves can be installed around the top or middle of the cabinet.
- 1-2 Folding Rear Side Shelves can be installed to either or both rear corners of the cabinet as a bagging station accessory shelf.
- Caster wheels with integral brakes can be attached to the bottom panel on mobile cabinets without side tables or shelves.
- Folding stabilizer legs with caster wheels and integral brakes can be attached to the bottom panel on cabinets with side tables or shelves.
- 18”H pedestal systems or pole systems that span to the ceiling with multiple adjustable arms to support screens, peripheral equipment and large screens displays below the ceiling.



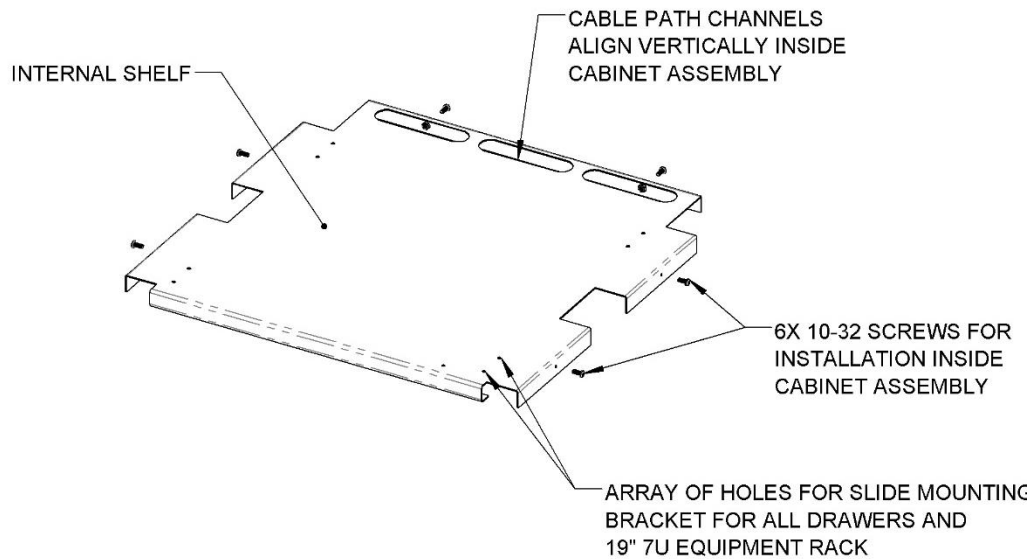
**Basic 24x24 Mobile Cabinet with 18”H Multi- Arm Pedestal System, Folding Side Tables and Fold out Stabilizer Legs with wheels.**

- Measures 39”H x 24” W x 24” D
- Includes folding stabilizer legs with caster wheels makes transport easy.
- Includes select external options including: 18” H multi-arm pedestal systems, up to 6 fixed or folding side tables or lower shelves, 1-2 folding rear side shelves, bag holder Etc.
- Includes select internal options including: up to four internal shelves, up to 4 draws, 1-2 half doors, one full sized door, 1-2 7U slide out 19” equipment rack drawers.
- Note - the cabinet front and side panels have multiple arrays of tiny “pilot” holes which indicate the locations where the holes must be drilled to install internal and external Side tables and Shelves.
- **Five Basic Cabinet Configurations:**
  - Stationary Podium Cabinets with adjustable feet.
  - Stationary Podium Cabinets with adjustable feet and ceiling feed pole.
  - Mobile Podium Cabinets with direct mount Wheels.
  - Stationary Cabinets with feet, side tables, pole or pedestal systems from 18”H to the ceiling.
  - Mobile cabinets with 18”H pedestals, folding side table tops and fold out legs with wheels.
- Other systems available without cabinets as floor stands or pole stands in many configurations.



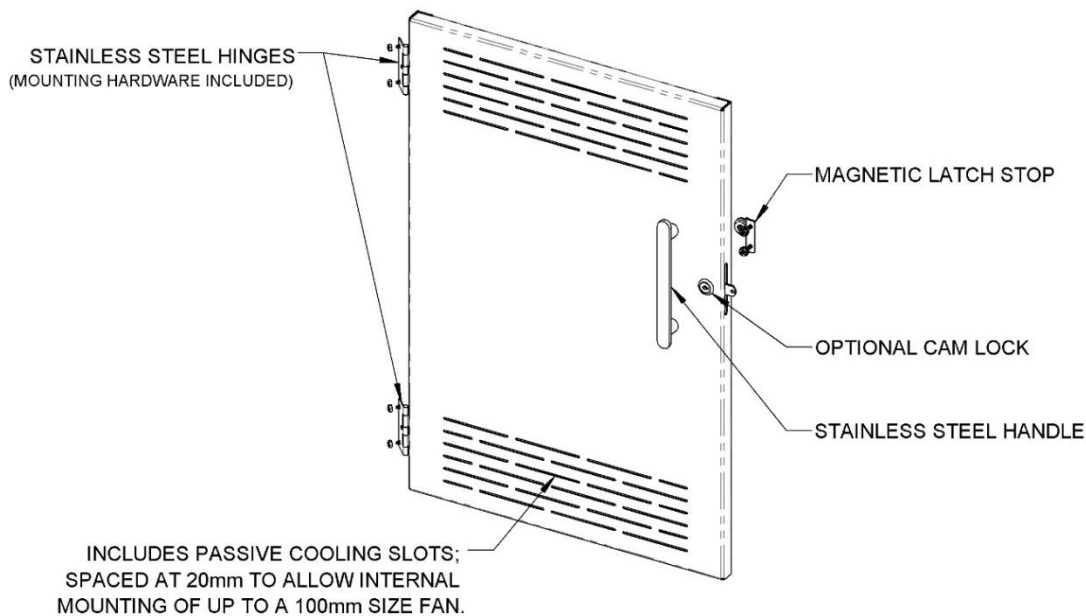
### PN 21308 24X24 Cabinet 4PC Stabilizer Legs+ Wheels

- The stabilizer legs provide added support to mobile cabinets with side tables.
- With the stabilizer legs in the “extended” position the wheels are located approximately 12” out from each corner of the cabinet. With the legs in the “retracted” position the wheels are located approximately 14” out from the front and rear sides of the cabinet.
- When a cabinet with folding side tables and stabilizer legs must be moved through a narrow door way or other restricted space wide; all four legs can be temporarily retracted to place them parallel with the sides of the cabinet and the overall width of the cabinet assembly is reduced to 29”.
- The inner ends of the stabilizer legs are attached to the outer corners of the reinforcing beams that are installed across the bottom of the front and rear of the cabinet.
- Caster wheels are attached to the outer ends of the stabilizer legs. Each wheel can swivel 360 degrees and has an integral brake lever.
- The wheels are 5.5” tall and together with the stabilizer legs raise the bottom of the cabinet approximately 7” above the floor which places the top of the cabinet 39” above the floor.
- The Stabilizer Leg Locking Plate and locks are used to secure the extended or folded positions.
- Includes: 4 Stabilizer Leg assemblies, 4 Heavy Duty Stem Caster Wheels with Brakes and lock nuts, 4 Stabilizer leg pivot bolts, pivot washers, lock nuts and flat washers, a Stabilizer leg locking plate and mounting hardware.
- This sub-assembly will normally be installed at the factory before shipping; however due to shipping constraints; the four stem caster wheels must be installed by the user onto the on the ends of the stabilizer legs.
- Refer to sections: **Safety Guidelines for Mobile Cabinets with Stabilizer Legs and wheels, Operating a Mobile Cabinet with Stabilizer Legs and wheels, Installing Stem Casters on the Stabilizer legs of a Mobile Cabinet.**



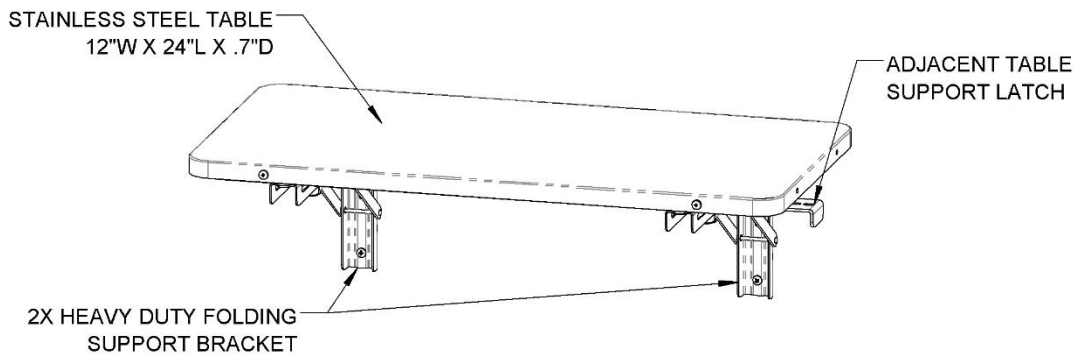
### PN 21316 24X24 Cabinet Interior Shelf

- From 1 to 3 interior shelves can be installed at any of three preset vertical locations within the cabinet to create a variety of spaces with equal or different heights. When combined with the bottom panel; four individual shelf spaces can be created.
- The front edge facing the rear is folded over twice to provide added strength to the shelf.
- Shelves include arrays of pre-punched holes to allow a simplified installation of mounting brackets for all Half and Quarter drawers, and slide out 19" Equipment Rack drawer.
- Shelves also include three 1.25"D X 5.5"L cable path slots along the rear edge for the routing of cabling vertically within the cabinet.
- Shelves are made of heavy duty 16-gauge steel and are finished with a semi-gloss; black micro wrinkle powder coat finish that resists fingerprints.
- Each shelf is attached to the cabinet with included 6 X #10-32 Phillips head screws and nuts.
- This sub-assembly will normally be installed at the factory before shipping.
- Also available as a user installed kit; PN 21316KIT 24X24 Cabinet Interior Shelf Kit.
- Refer to the product information sheet for 24X24 KIOSK CABINET PODIUM ACCESSORIES, refer to sections; **Understanding the Modular Internal Functionality of the Cabinet Assembly, Installing an interior Shelf.**



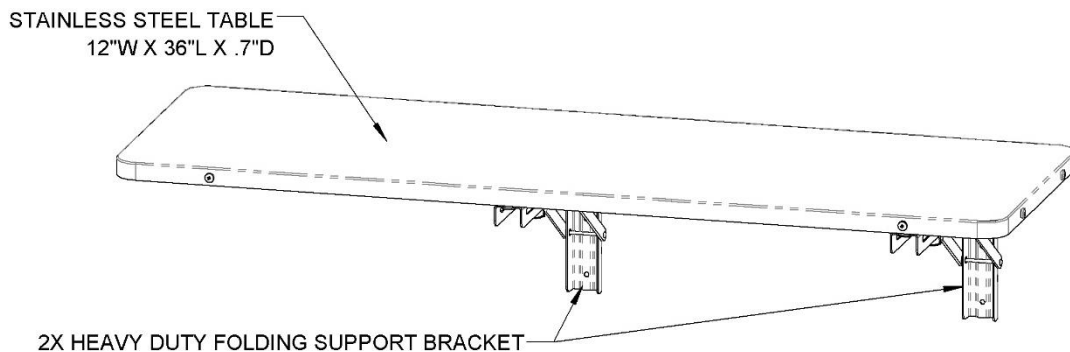
### PN 21318 24X24 Cabinet Full Door

- Full sized doors are 30"H by 20.25"W and cover the entire rear of the cabinet.
- The hinge side of the Doors is on the left and the door stop and lock are on the right. Doors include stainless steel hinges and drawer pulls.
- Doors also include integral door stops with magnetic latches and are pre-punched to accept optional cam locks.
- Doors include arrays of slots for passive air flow; or standard cooling fans can be installed on the inside of any door over the slots for active cooling.
- Doors are made of heavy 16-gauge steel and are finished with a semi-gloss; black micro wrinkle powder coat finish that resists fingerprints.
- For optional Cam Lock, order **PN 70474 Cam Lock for Kiosk Cabinet Doors and Drawers**.
- Also available; PN 21317 Half size doors, 14.9 "H and cover one half of the rear of the cabinet.
- This sub-assembly will normally be installed at the factory before shipping.
- Also available as a user installed kit; PN 21318KIT 24X24 Cabinet Full Door Kit.;
- Refer to the product information sheet for 24X24 KIOSK CABINET PODIUM ACCESSORIES, section **Installing a Full or Half size door**.



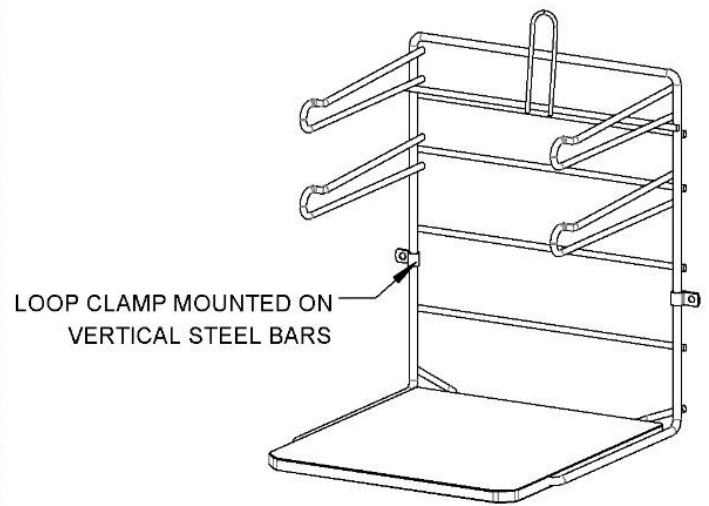
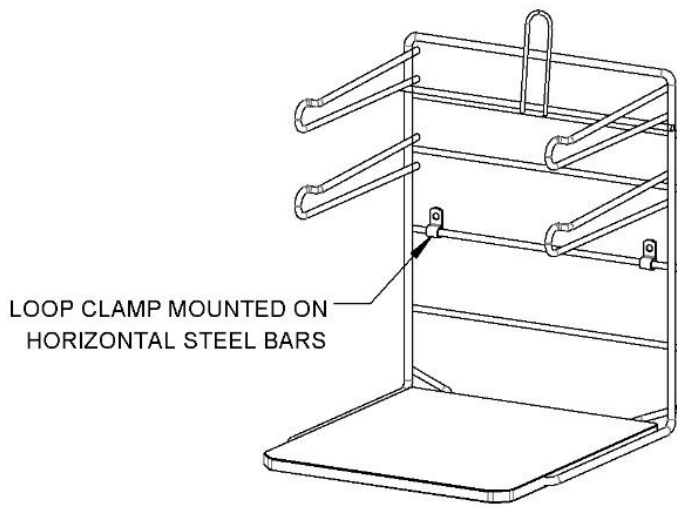
### PN 21311 24X24 Cabinet 12X24 Folding Side Table

- This side table assembly is normally used on mobile kiosk cabinet configurations.
- Attaches to the top front side of the cabinet; but can also be installed on the left or right sides to extend the work surface. It can also be attached to the right or left sides of the middle of the cabinet to create a 12" deep shelf.
- Includes sliding support latch brackets on both ends that provide additional support to the ends of adjacent 12" X 36" Side Tables.
- Dimensions: .70" H X 12" W X 24" stainless steel top with galvanized bottom section.
- This side table unfolds and collapses easily with two stainless steel push buttons that release two sturdy support brackets attached to the underside.
- The outside corners of the side table are rounded and smooth.
- This sub-assembly will normally be installed at the factory before shipping.
- Also available as a user installed kit; PN 21311KIT 24X24 Cabinet 12X24 Folding Side Table Kit.
- Kit includes Side table assembly, two folding stainless steel support brackets and all necessary hardware.
- Refer to the product information sheet for 24X24 KIOSK CABINET PODIUM ACCESSORIES, section: **Attaching a Side Table to a 24X24 Cabinet, Parts 1 - 3**



### PN 21310 24X24 Cabinet 12X36 Folding Side Table

- This side table assembly is normally used on mobile kiosk cabinet configurations.
- Attaches to the top left or right sides of the cabinet to extend the work surface, or can also be attached to the right or left sides of the middle of the cabinet to create 12" deep shelves.
- Dimensions: .70" H X 12" W X 36" L stainless steel top with galvanized bottom section.
- This side table unfolds and collapses easily with two stainless steel push buttons that release two sturdy support brackets attached to the underside.
- Includes a support latch that bridges across the underside of the adjacent 12X24 side table to provide additional rigidity to the end of the 36" side table.
- The outside corners of the side table are rounded and smooth.
- This sub-assembly will normally be installed at the factory before shipping.
- Also available as a user installed kit; PN 21310KIT 24X24 Cabinet 12X36 Folding Side Table Kit.
- Kit includes Side table assembly, two folding stainless steel support brackets and all necessary hardware.
- Refer to the product information sheet for 24X24 KIOSK CABINET PODIUM ACCESSORIES, section: **Attaching a Side Table to a 24X24 Cabinet, Parts 1 - 3**

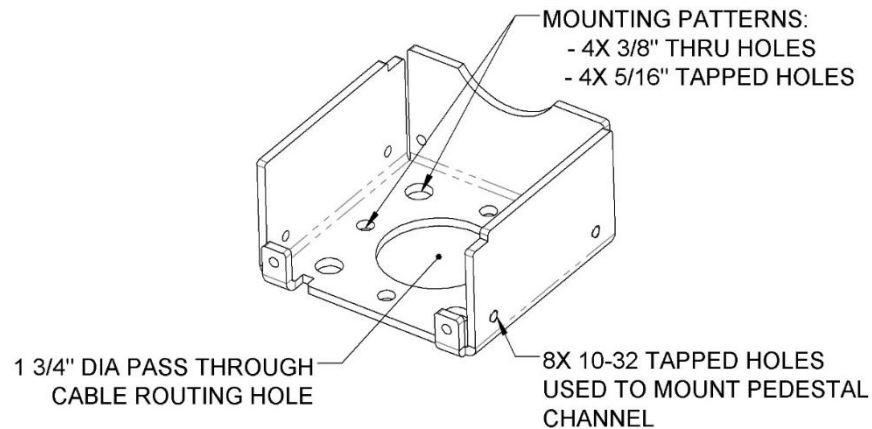


### PN 21328 T Shirt Bag Holder Kit

- The T shirt bag holder can be attached to most vertical or horizontal surfaces.
- Steel single hole clamps are used to secure the vertical or horizontal sections of the frame to the mounting surface.
- This bag holder can be attached to the following assemblies:
  - Above a side shelf on a 24X24 cabinet on the front or right or left sides.
  - On a Rear folding side shelf of a 24X24 cabinet.
  - On a Side Shelf of a 4x4 30X30 table.

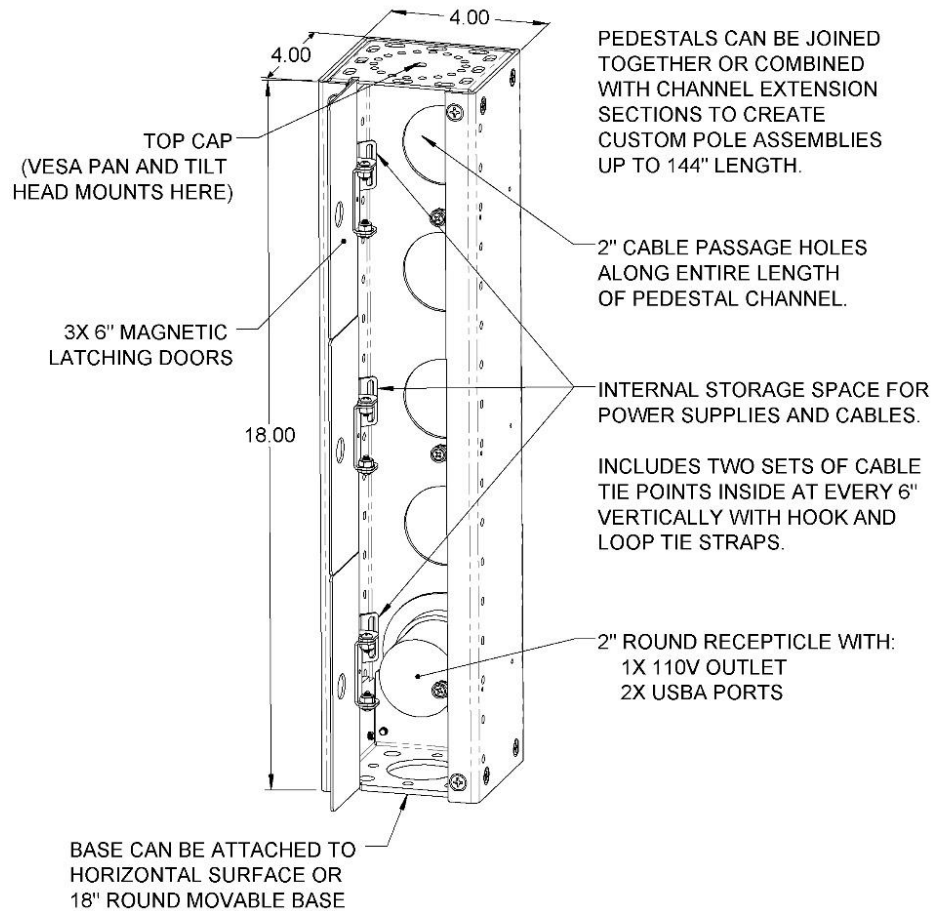
### T Shirt Bag Holder Specifications

- Overall dimensions: 12" Wide x 12" Deep x 16" High
- Chrome Steel with 1/2" thick White PVC Plastic Sheet Base
- Fits 11 1/2" Wide x 6" Deep x 21" High Bag
- Bags Sold Separately
- Holds medium-sized bags open for easy filling and accommodates a large supply of bags.
- Smaller bags can fit on the side hooks.
- The stand Bag Holder can be added to most Pole, Cabinet or Podium based 4X4 product assemblies with various mounting systems.
- Includes 4 EA 10-32 X 1/2" L Phillips Screw Stainless Steel, 4 EA 10-32 Nylon Lock nut, 4 EA Single hole 3/8" ID steel clamp.



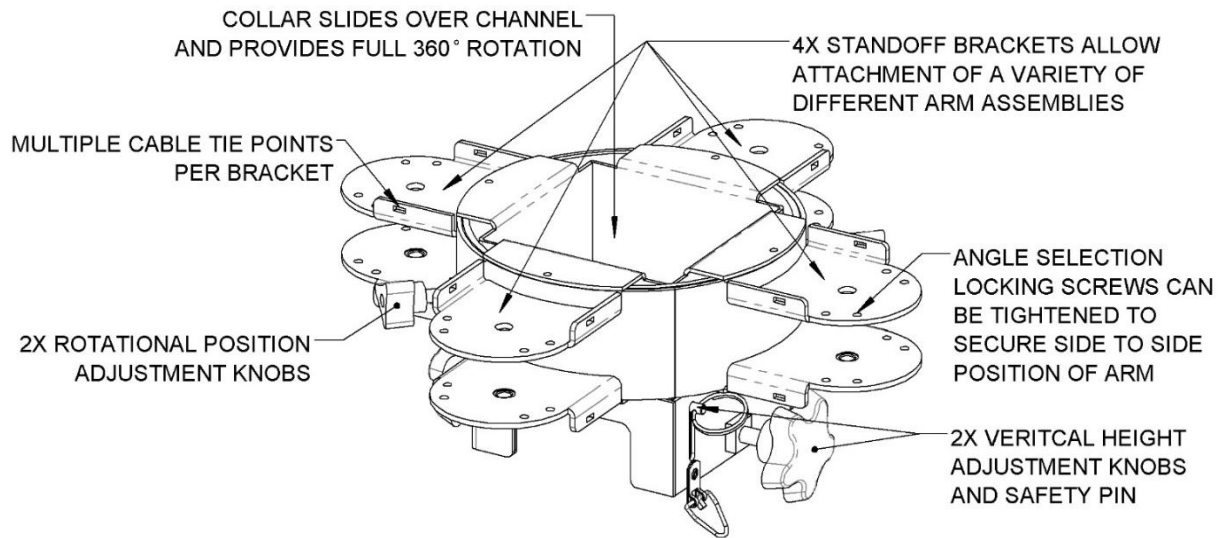
### PN 51063 Pedestal Channel Pass Through Mounting Bracket

- This bracket attaches to the bottom of either a Pedestal Channel section to a Mounting Base Plate or directly to the floor, a countertop or any other solid, horizontal surface.
- The mounting bracket is installed with the cutout side that has only the two tabs, oriented towards the "open side" of a channel section.
- This bracket has a 1 3/4" diameter round opening in the center to allow a number of conduits, armored cables or other cabling to be passed through as needed.
- This bracket is a heavy duty, internal structural member made of thick galvanized steel to resist corrosion.
- The mounting bracket includes arrays of through and tapped holes for attaching the bracket to the mounting surface.
- The mounting bracket attaches to a Pedestal Channel section with #10-32 X 1/2" L Countersunk Phillips Head Stainless steel screws.
- To understand the difference between the two types of channels; know that pedestal channels have a series of 6" tall doors installed on the "Open side" of the channel; while Channel Extension sections have Cover Plates installed on the on the "Open side" of the channel.



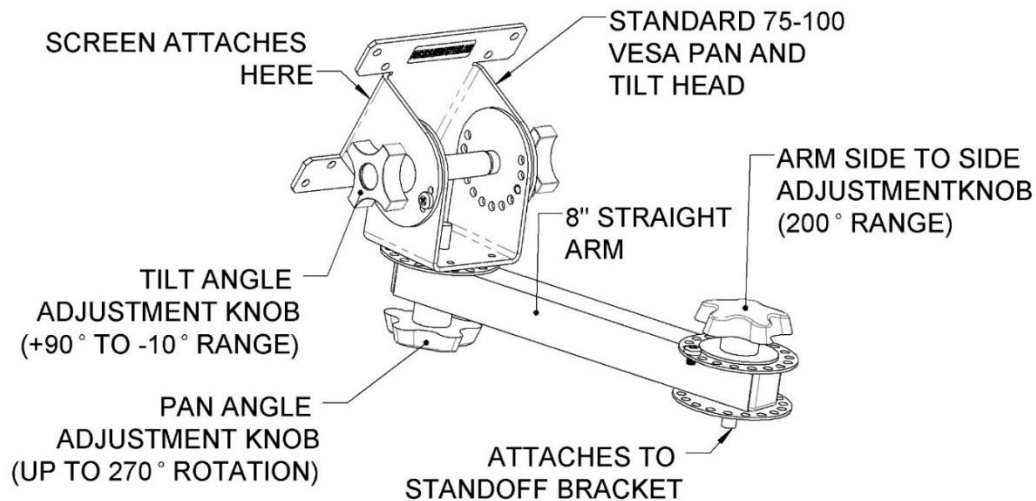
### PN 21266 18" Pedestal Channel Assembly

- The 18" Pedestal Channel Assembly is a 4" W x 4" D square, three-sided, channel that includes a top cap, a base mounting bracket and three 6" tall doors with magnetic latches attached to the open side of the channel.
- Allows internal storage space for power supplies and all associated cables.
- Interior includes two sets of cable tie points with hook and loop straps located every 6".
- Includes an array of 2" diameter cable passage holes along the entire length of one side of the channel.
- Includes a 2" round, corded power receptacle with a single 110V power outlet and two USB-A changing ports installed just above the pedestal base.
- Multiple 2 or 4 Arm Collar assemblies can be installed onto a Pedestal Channel.
- An Extended VESA Pan and Tilt Head can be attached to the top cap, but other items such as signage or a peripheral tray may also be installed.
- The 18" Pedestal Channel Section can be attached to an 18" Round Movable Base or can be attached directly to a countertop or to the top of a fixed or a mobile podium aka cabinet assembly.
- The mounting bracket has a 1 3/4" diameter round opening in the center to allow a number of conduits, armored cables or other cabling to be passed through as needed.
- Pedestal sections can also be combined with Channel Extension Sections to create 36" or 54" tall movable floor stands or fixed, vertical pole assemblies up to 144" tall.
- To understand the difference between the two types of channels; know that pedestal channels have a series of 6" tall doors installed on the "Open side" of the channel; while Channel Extension sections have Cover Plates installed on the on the "Open side" of the channel.



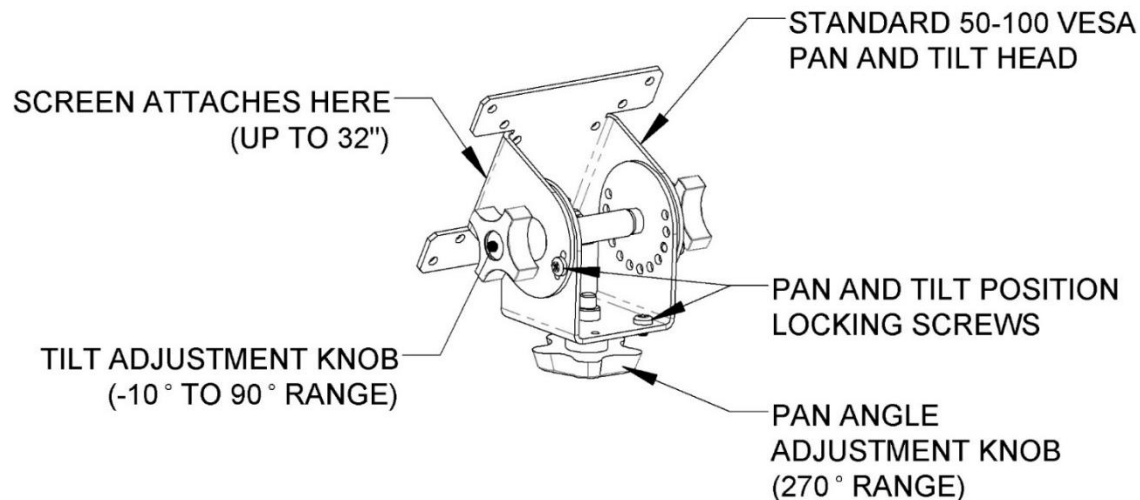
### PN 21280 Arm Collar Assembly that supports up to four adjustable Arms

- The innovative 4 Arm Collar Assembly is the heart of the 4X4 multi-arm system and can support attachment of up to four independently adjustable Arm Assemblies in any combination of four available configurations: straight arms at 8" and 10" lengths, fully articulating arms, and fully articulating extendable arms. (See individual Arm Assembly descriptions for more details.)
- The Arm Collar Assembly adjusts without tools and can be positioned at any vertical location along the entire length of a Pedestal Assembly and can be rotated 360 degrees around the Pedestal Channel.
- Two 5-point hand knobs adjust the vertical position of the Arm Collar on the Pedestal Channel and a safety pin secures the assembly from accidental movement.
- Two 3-point hand knobs adjust the rotational position of the Arm Collar around the Pedestal Channel.
- All Arm Collar Stand Off Brackets include multiple cable tie points.
- Also available; PN21279 that supports up to two adjustable arm assemblies.



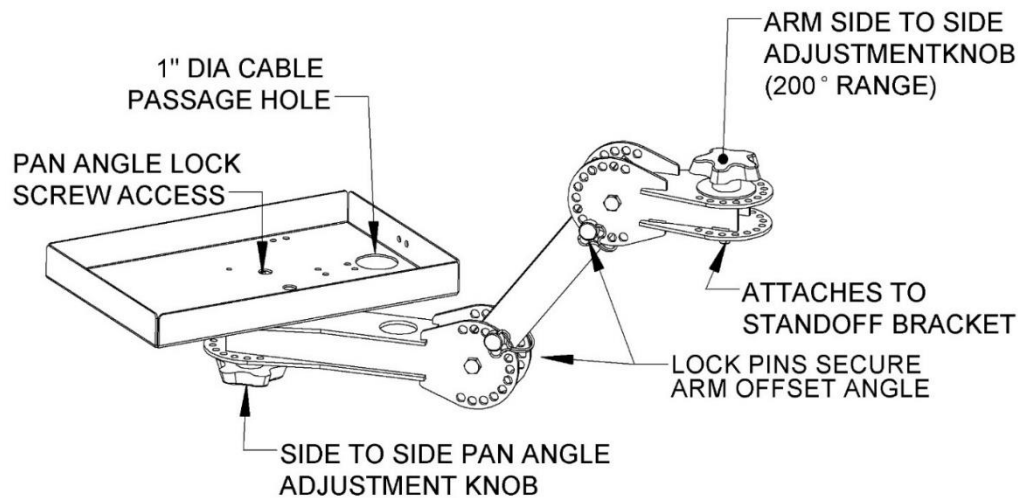
### PN 21240 8" Straight Adjustable Arm Assembly with Standard 75-100mm VESA Pan-Tilt Head Part 1 of 2

- The 8" straight adjustable arm can be attached to any of the four standoff brackets on the Arm Collar assembly or to a 4X4 Clamp on mount.
- These arms have 200 degrees of side to side, horizontal position adjustment on the standoff brackets of the arm Collar Assembly.
- The horizontal, side to side position of the arm is adjusted with a 5-point hand knob on the upper standoff bracket. The knob works with a pair of rubber washers that are used in the assembly to provide a variable clutching resistance.
- A Phillips head screws that is also located on the upper standoff bracket can be tightened to permanently lock the side-to-side position of the arm.
- Refer to the section: **Installing a screen with an attached VESA Pan and Tilt Head on the end of an Arm.**



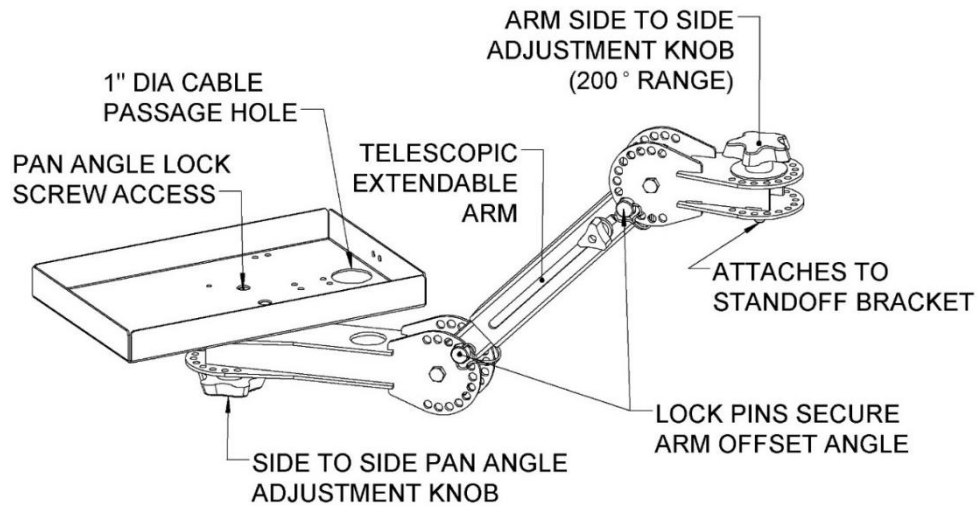
### PN 21240 8" Straight Adjustable Arm Assembly with Standard 75-100mm VESA Pan-Tilt Head Part 1 of 2

- The Standard 50, 75, 100mm VESA Pan and Tilt Head Assembly supports most screens up to 32" class and attaches to the end of any arm assembly without tools.
- Screen up and down tilt position can be adjusted from +90° to -10° and secured using two 4-point hand knobs.
- Screen side-to-side pan position can be adjusted up to 270°, dependent on-screen size, and secured using a 5-point hand knob.
- The knobs work with rubber washers in the pan and tilt head assembly to provide variable clutching resistance.
- Screws located on the Pan Base and Tilt Bracket can be tightened to permanently secure the screen up and down tilt and side-to-side pan positions.
- Includes a 4EA M4X 10mm long VESA screws.
- Includes a cable tie point at the rear of the VESA mounting plate.
- All arm collar assemblies and all 4X4 Clamp on mounts will require that the VESA pan and tilt heads be attached to the ends of the arms.
- Refer to the section: **"Attaching a VESA Pan and Tilt Head to the Back of a Screen."**



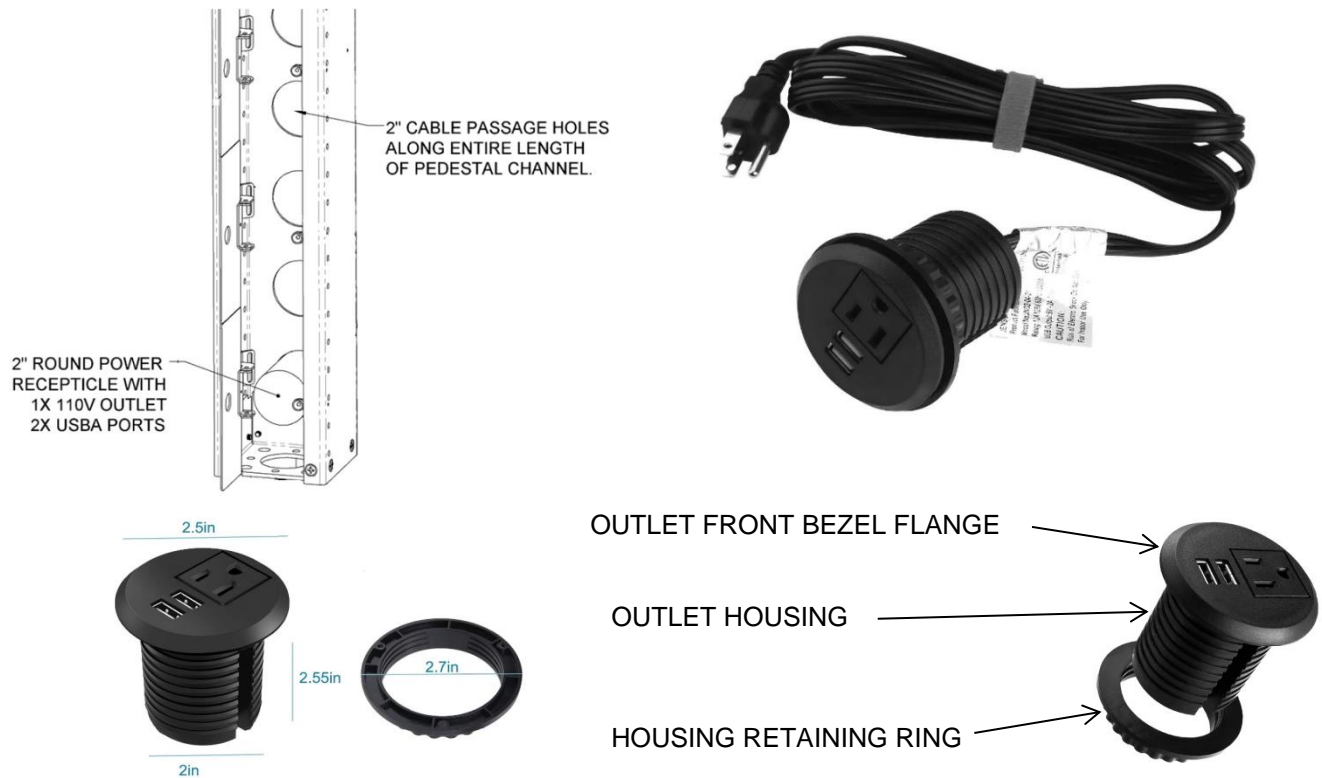
### PN 21246 Fully Articulating Arm Assembly with POS Printer or Peripheral Equipment Tray

- The Fully Articulating Arm includes three arm segments and can be attached to any of the four standoff brackets on the Arm Collar assembly.
- This arm has 200 degrees of side to side, horizontal position adjustment on the standoff bracket of the arm Collar Assembly.
- The horizontal, side to side position of the arm is adjusted with a 5-point hand knob on the upper standoff bracket. The knob works with a pair of rubber washers that are used in the assembly to provide a variable clutching resistance.
- A Phillips head screw that is also located on the upper standoff bracket can be tightened to permanently lock the side-to-side position of the arm.
- The angles of upper and lower arm segments or “offset brackets” adjust to allow the middle arm section to be extended down and outward a selectable distance out from the channel assembly.
- Each of the offset brackets has 13 different adjustable positions in 18-degree increments using lynch pins with spring clip retainers.
- The 6½” W X 10¼” L X 1” D tray assembly supports a POS printer or one or more EMV and QR/ Barcode readers or other small equipment.
- The tray can be attached to the end of any of the four arm assemblies and can be rotated 360 degrees.
- The side-to-side pan position of the tray is adjusted with a 5-point hand knob located under the end of the last arm segment. The knob works with a rubber washer that is used in the assembly to provide a variable clutching resistance.
- A Philips head screws located on the pan plane in the middle of the tray can be tightened to permanently lock the side-to-side position of the Tray arm on the end of the arm.
- The tray includes a 1” diameter cable path hole and multiple pairs of small holes to feed cable ties through.
- Some assemblies may be shipped with the printer tray removed from the end of the arm; refer to section: **Attaching a POS Printer or Peripheral Equipment Tray to the end of an Arm.**



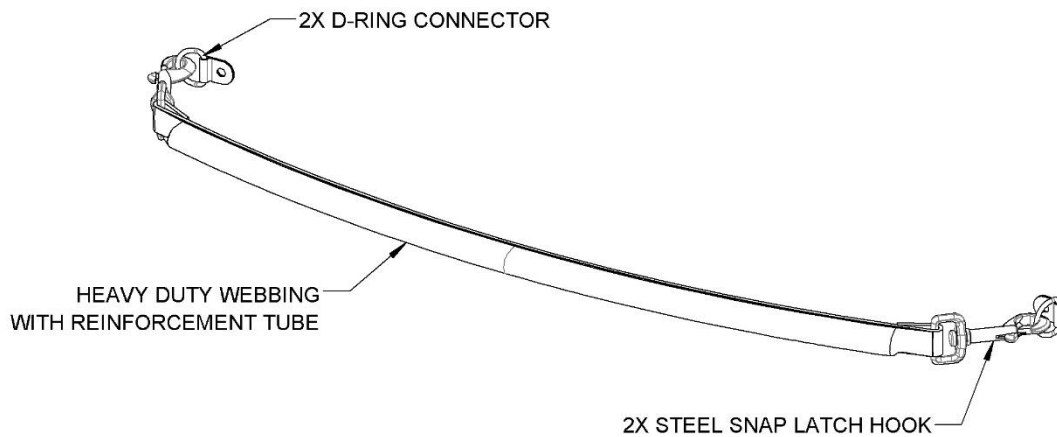
### PN 21252 Fully Articulating Extendable Arm Assembly with POS Printer or Peripheral Equipment Tray

- The Fully Articulating Extendable Arm includes three arm segments and can be attached to any of the four standoff brackets on the Arm Collar assembly.
- This arm has 200 degrees of side to side, horizontal position adjustment on the standoff bracket of the arm Collar Assembly.
- The horizontal, side to side position of the arm is adjusted with a 5-point hand knob on the upper standoff bracket. The knob works with a pair of rubber washers that are used in the assembly to provide a variable clutching resistance.
- A Phillips head screw that is also located on the upper standoff bracket can be tightened to permanently lock the side-to-side position of the arm.
- The angles of upper and lower arm segments or “offset brackets” adjust to allow the middle arm segment to be extended down and outward a selectable distance out from the channel assembly.
- Each of the offset brackets has 13 different adjustable positions in 18-degree increments using lynch pins with spring clip retainers.
- The middle arm segment of this arm is telescopic and can be extended outward up to 6 inches. The extended position of the arm is adjusted with a 3-point knob on the side of the arm.
- The 6½” W X 10¼” L X 1” D tray assembly supports a POS printer or one or more EMV and QR/ Barcode readers or other small equipment.
- The tray can be attached to the end of any of the four arm assemblies and can be rotated 360 degrees.
- The side-to-side pan position of the tray is adjusted with a 5-point hand knob located under the end of the last arm segment. The knob works with a rubber washer that is used in the assembly to provide a variable clutching resistance.
- A Philips head screws located on the pan plane in the middle of the tray can be tightened to permanently lock the side-to-side position of the Tray arm on the end of the arm.
- The tray includes a 1” diameter cable path hole and multiple pairs of small holes to feed cable ties through.
- Some assemblies may be shipped with the printer tray removed from the end of the arm; refer to section: **Attaching a POS Printer or Peripheral Equipment Tray to the end of an Arm.**



### PN 70444 2" Round 1 Power Receptacle + 2X USB-A Outlet 6.5 Ft. cord

- Most assemblies that include an 18" or 36" H Pedestal channel will include the 2" round power receptacle unit with a single 125V power outlet and two USB-A changing ports.
- The single high voltage power receptacle is rated a 125V volts at 12 amps, maximum output: 1500W.
- The two USB – A Outlets are rated at 5 volts at 2 amps; note the USB outlets are chargers only; they do not pass data.
- The power cord is 6.5 foot long with a standard grounded, three prong grounded plug.
- The outlet housing is made of black ABS plastic.
- Conforms to UL STD962A and is certified to CSA STD C 22.2 NO.309, for indoor use only.
- As shipped; the power outlet may be installed at the lowest 2" round cable passage hole.
- The location of the power outlet can be easily changed:
  1. Unplug the end of the power outlet cord.
  2. Loosen the power outlet retaining ring on the inside of the channel by holding the front bezel flange section while unscrewing the retaining ring in a counter clockwise direction from the rear of the outlet housing.
  3. Remove the retaining ring from the power cord, then guide the entire power outlet and power cord out from the cable passage hole.
  4. Pass the power cord through the new desired cable passage hole and then guide the power outlet housing into the cable passage hole.
  5. Orient the flat flange side of the retaining ring towards the inside wall of the pedestal channel, pass the power cord through from the power cord retaining ring.
  6. Slide the retaining ring up to the rear of the power outlet housing, hold the outer bezel section so that the outlet housing cannot turn; then carefully thread the retaining ring onto the rear of the outlet housing. When the retaining ring contacts the inside wall of the channel; only tighten it enough so that the housing does not turn easily.



### PN 21320 24X24 Cabinet Transport Hand Strap

- Two Transport Hand Straps and D ring connectors are included with all Mobile cabinets.
- Each strap includes a steel snap latch hook at both ends for attaching the strap to any two D ring connectors. D ring connectors swivel to allow easy attachment and are installed on all four top corners of all Mobile cabinets.
- Transport hand straps are made of heavy-duty webbing with a round, firm internal tube section to enhance grip.
- Includes: One Transport Strap with two steel snap latch hooks, 2 "D-rings" and mounting hardware.
- This sub-assembly will normally be installed at the factory before shipping'
- If you need a single replacement transport strap; order PN 21321KIT Replacement Transport Hand Strap kit.
- Refer to sections; **Operating a Mobile Cabinet with Directly Attached Wheel Assemblies, Operating a Mobile Cabinet with Stabilizer Legs and wheels.**

## Introduction to Installation instructions

**Important Note 1:** Not all sections of these instructions will be applicable to your particular product assembly; however, we strongly recommend that you read the entire contents **BEFORE** proceeding with the design of the system, the ordering of assemblies or parts, and before performing any installation work.

**Important Note 2:** Know that the steps required to assemble these systems are generally listed in the order that they should be performed; however, some steps may not be applicable to your particular assembly.

### Qualified Installers:

The installation of these systems should only be performed by qualified persons such as journeyman electricians and/ or professional riggers.

### Using this document:

You will be prompted at various points throughout these instructions to reference other sections for additional details on various installation procedures. Also included are notes, recommendations and tips intended as helpful suggestions only; **DO NOT** substitute these for your own best practices or established safety procedures.

### Nomenclature:

The terms “Pedestal Channel”, “Channel Assembly”, and “Pole Assembly” may be used interchangeably throughout this document.

### Understanding the difference between the two types of channels;

Know that pedestal channels have a series of 6” tall doors installed on the “Open side” of the channel; while Channel Extension sections have Cover Plates installed on the on the “Open side” of the channel.

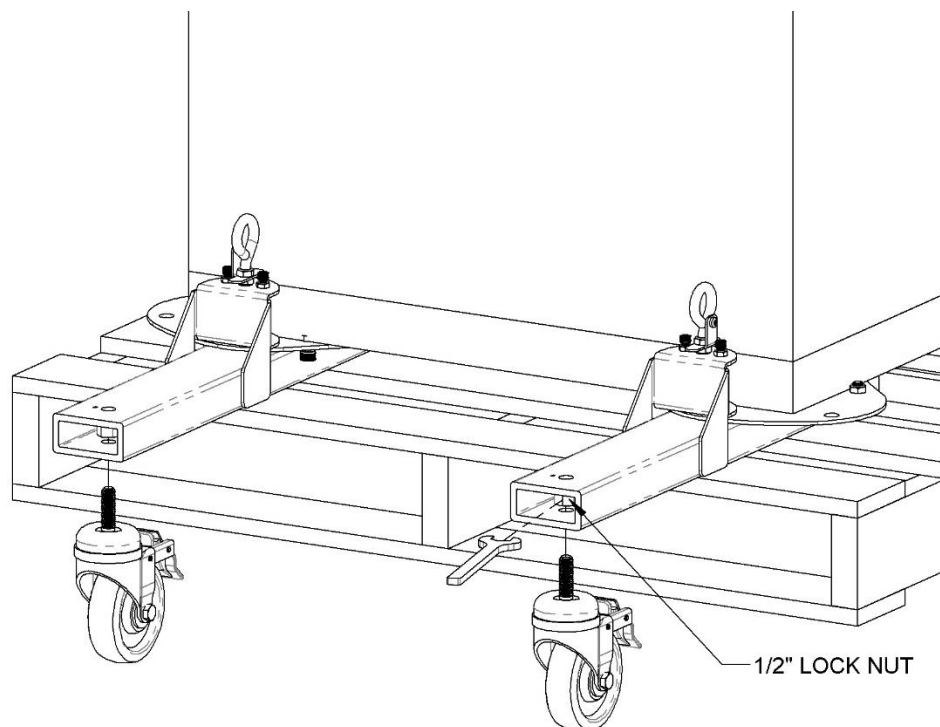
## Unpacking the cabinet

1. Cabinet Assemblies are shipped in custom fitted crates with skids on the bottom so that they can be moved by a forklift.
2. The crate assembly includes the following parts: a bottom skid sub assembly, 4 side panels, 4 internal vertical side panel corner blocking sections, 4 internal horizontal side panels to top panel blocking sections, 4 internal horizontal side panels to bottom skid blocking sections.
3. You will need a cordless drill and a # 2 Phillips driver bit to remove the screws that hold the crate together.
4. You will need a  $\frac{3}{4}$ " wrench to remove the  $\frac{1}{2}$ " bolts that secure the cabinet to the bottom of the crate.
5. You will need a pair of heavy-duty shears and a razer knife to remove the securing straps and other packaging inside of the crate.
6. Remove the top and four side panels of the crate together as one assembly by first removing the 4 Phillips head screws that secure the bottom edges of each of the four side panels to the four sections of horizontal blocking that are attached to the top of the bottom skid inside of the crate.
7. Once the 4 screws are removed from each of the bottom edges of each of the four side panels; the entire upper crate assembly can be carefully lifted straight up and set aside.
8. Depending on what type of cabinet assembly you have; there may be some straps that are securing various external assemblies to the outside of the cabinet. Once the top and sides of the crate are removed; locate the box that contains the wheels or feet and remove it from the crate. However, do not cut any of the securing straps or packaging that is present until the wheels or feet are fully installed and the cabinet is in the upright position.
9. Depending on what type of cabinet assembly you have; there may be some cartons of various external assemblies stored inside of the cabinet. However, do not cut any of the other straps or packaging that is securing these items and do not remove these items until the wheels or feet are fully installed and the cabinet is in the upright position.
10. Depending on what type of cabinet assembly you have; refer to the following sections for additional unpacking and assembly information: **Installing and adjusting the Feet and Hold Down Brackets on a Stationary Cabinet, Installing Direct Mount Casters on a Mobile Cabinet, Installing Stem Casters on the Stabilizer legs of a Mobile Cabinet**

## Installing Stem Casters on the Stabilizer legs of a Mobile Cabinet

**Important note:** as shipped, the Stem Caster wheels will not be installed on the cabinet; these items will be found packaged separately.

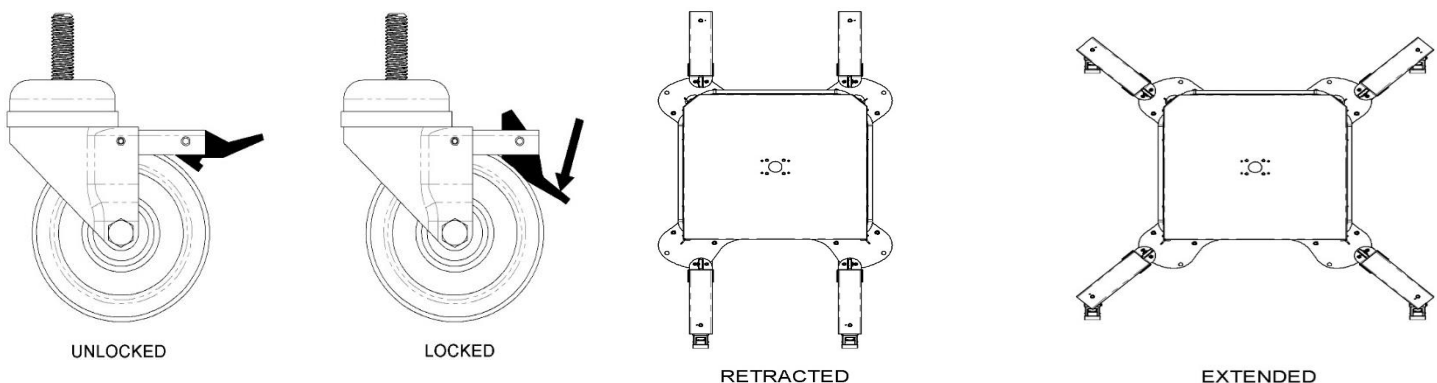
- 1.1 Remove the 4 EA 1/2" bolts that are securing the stabilizer legs to the bottom of the crate; these bolts are only used for shipping and will not be used in the cabinet assembly. Do not remove the cardboard wrapping around the cabinet at this time.
- 1.2 Before proceeding; review the section: **Operating a Mobile Cabinet with Stabilizer Legs and wheels.** Locate the package that contains the Stem Mount Caster wheels and mounting hardware.
- 1.3 Examine the casters and understand that the 1/2" threaded stem section must be inserted up through the hole in the bottom of the end of the hollow stabilizer leg, then a 1/2" lock nut must be installed onto the end of the stem on the inside of the stabilizer leg. This nut must be turned until the top of the caster is flush against the bottom stabilizer leg and the nut is tight against the inside bottom surface of the stabilizer leg.
- 1.4 Install casters on the two front stabilizer legs; with the help of an assistant carefully move the cabinet to place the corner of the shipping crate under the middle of the side of the cabinet so that ends of the rear set of stabilizer legs are extended past the end of the crate approximately 6 inches.
- 1.5 Install the two stem caster wheels onto the two rear stabilizer legs as described in section 1.3 and 1.4.
- 1.6 Activate the brakes on all four casters to the ON position, continue to the section: **Operating the Stabilizer Legs.**
- 1.7 Once you have reviewed the section: **Operating the Stabilizer Legs** and fully understand how to extend the stabilizer legs and lock them in that position; extend and lock all four legs; then carefully maneuver the crate skid out from under the cabinet.



## Safety Guidelines for Mobile Cabinets with Stabilizer Legs and wheels.

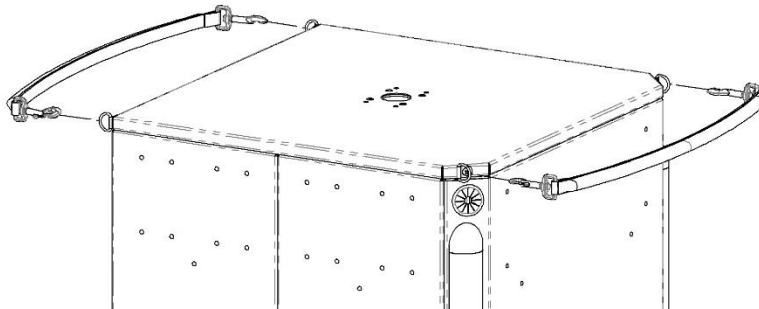
### DO NOT SUBSTITUTE THESE GUIDELINES FOR YOUR OWN BEST PRACTICES.

- 1.1 Do not attempt to move a mobile cabinet unless you have a full understanding of all the operations and safety procedures related to a mobile cabinet.
- 1.2 Under normal usage the stabilizer legs must always be locked in the extended position.
- 1.3 The stabilizer legs should only be moved to the retracted-folded position temporarily when the cabinet must be moved through a space that it would otherwise not be able to pass through with the legs extended. As soon as the cabinet has passed through the restricted space the stabilizer legs must be returned to the extended position.
- 1.4 Do not attempt to move a mobile cabinet alone; always have at least one other person assisting.
- 1.5 Do not attempt to move a mobile cabinet on uneven or sloping ground.
- 1.6 Remove any loose items from the top of the cabinet, side tables, exterior shelves before attempting to move a mobile cabinet.
- 1.7 Close and secure all drawers and doors before attempting to move a mobile cabinet.
- 1.8 Move all Side tables and exterior shelves to the folded position before attempting to move a mobile cabinet. **Important note:** Move the two sliding support latch brackets on each the 12"X 24" Side Tables or Lower Side Shelves to the retracted position BEFORE attempting to fold down any of the side tables.
- 1.9 Disconnect any external cables that are connected to the cabinet before attempting to move a mobile cabinet.
- 1.10 Attach transport straps to the cabinet before attempting to move it.
- 1.11 Operate the brake levers before attempting to move a cabinet. The brake levers are located on one side of each wheel; to apply the brakes and prevent the cabinet from rolling; press down on the end of the lever labeled "ON". To release the brakes; press down on the end of the lever labeled "OFF".
- 1.12 Only release the brakes when you are gripping the transport straps and are actively engaged in moving the cabinet. Always apply the brakes anytime the cabinet is stopped and you are not gripping the transport straps.

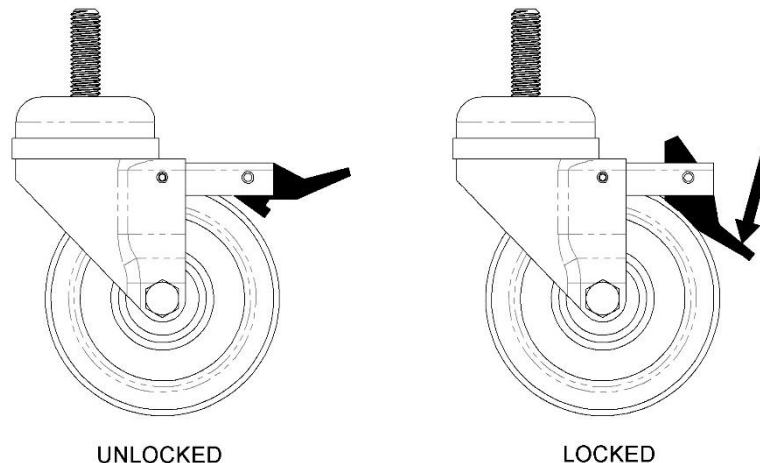


### Operating the Stabilizer Legs, Part 1 of 3

- 1.1 When a cabinet with folding side tables and stabilizer legs must be moved through a narrow door way or other restricted space; all four legs can be temporarily retracted, placing them parallel with the sides of the cabinet and reducing the overall width of the cabinet assembly to 29". With the stabilizer legs in the "extended" position; the wheels are located approximately 12 inches out from each corner of the cabinet, with the legs in the "retracted" position the wheels are located approximately 14 inches out from the front and rear sides of the cabinet.
- 1.2 Do not attempt to operate the stabilizer legs unless the cabinet is on level ground.
- 1.3 Do not attempt operate to stabilizer legs alone; always have another person assisting.
- 1.4 Remove loose items from the top or shelves of the cabinet before attempting to operate the stabilizer legs.
- 1.5 Do not attempt to operate to stabilizer legs until all side tables, side table shelves and rear side shelves are in the folded position. **Important note:** all of the Side table support tabs must be retracted BEFORE attempting to fold down the any of the side tables.
- 1.6 Confirm that another person is firmly gripping one of the transport straps and is actively preventing the cabinet from tilting.
- 1.7 Verify that the transport straps are attached to the D rings before attempting to operate the stabilizer legs.

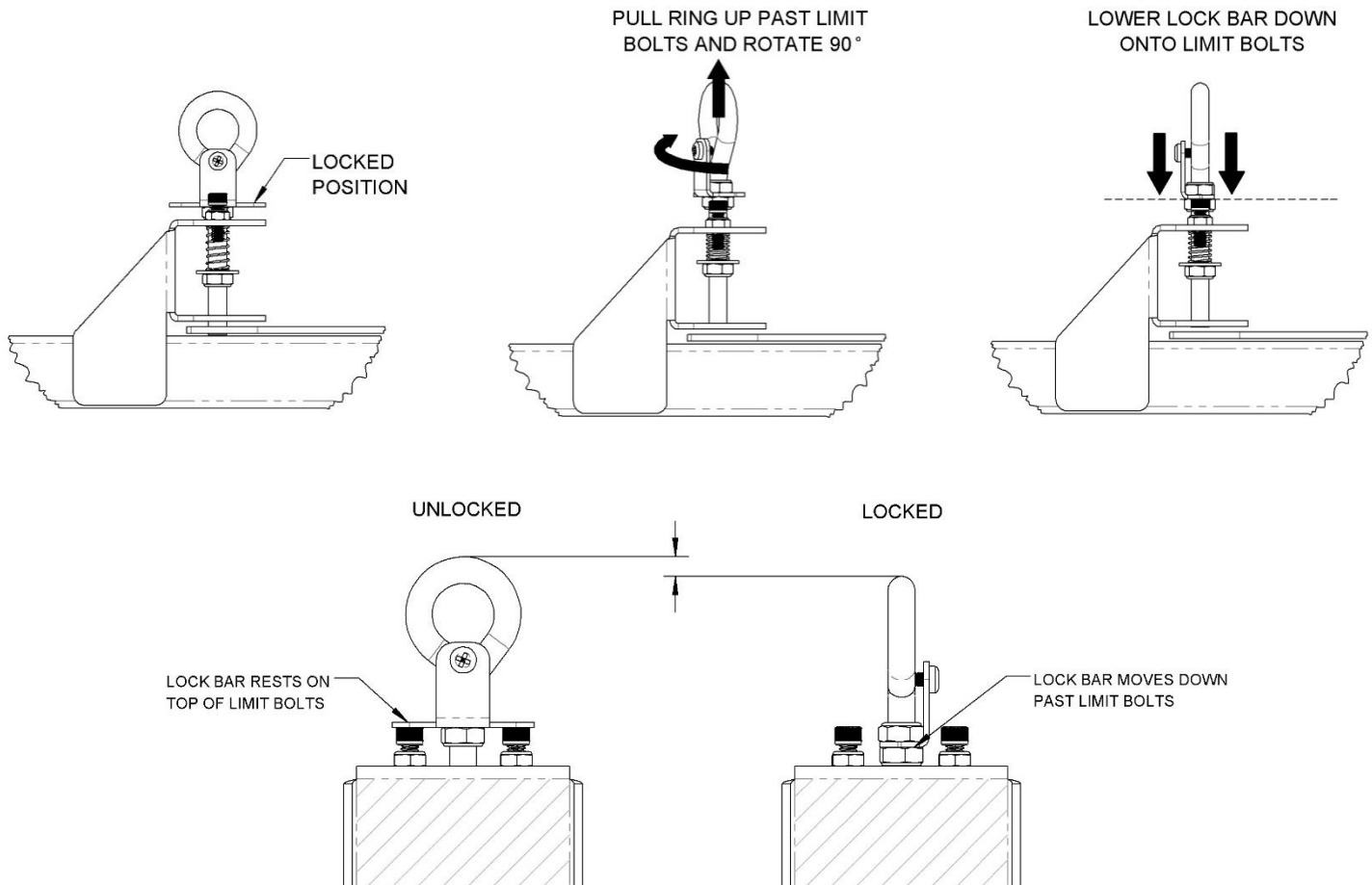


- 1.8 Verify that the brakes on all four wheels are in the locked "ON" position.

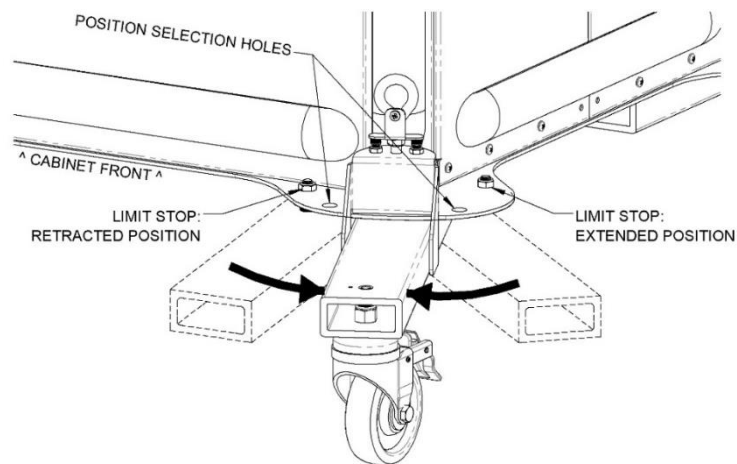


### Operating the Stabilizer Legs, Part 2 of 3

- 1.9 **To Unlock Stabilizer Leg:** Carefully lift the ring on one of the leg lock bolts, pull it upward until the end of the lock bolt rises out of the locking plate and the two ends of the lock bar on the lock bolt are above the heads of the two side bolts, rotate the ring 90 degrees to position the ends of the lock bar above of the two side bolts, then carefully lower the lock bar onto the side bolts; this is the "UNLOCKED" position for the stabilizer leg.

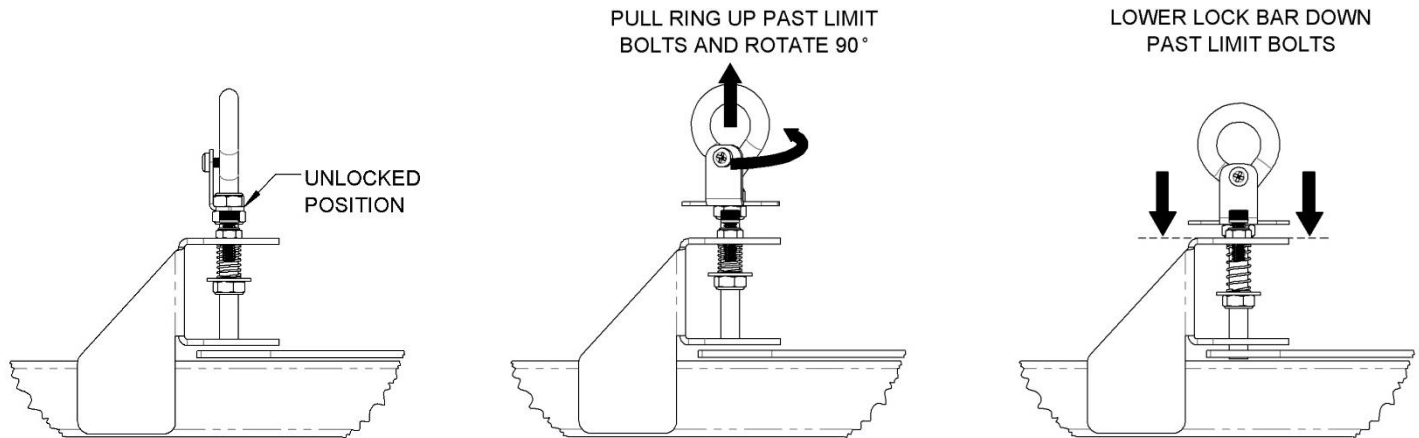


- 1.10 Carefully push the now unlocked stabilizer leg until it stops against the position limit stop bolt so that the leg is in either the fully extended or fully retracted position.

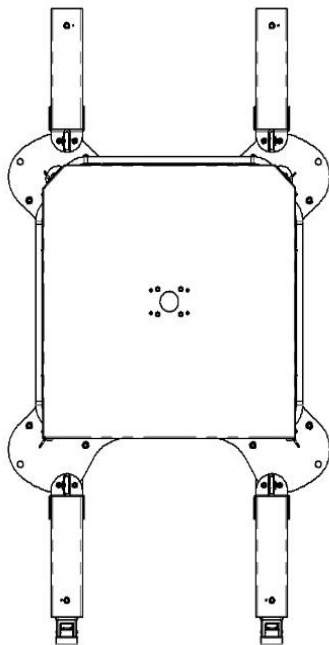


### Operating the Stabilizer Legs, Part 3 of 3

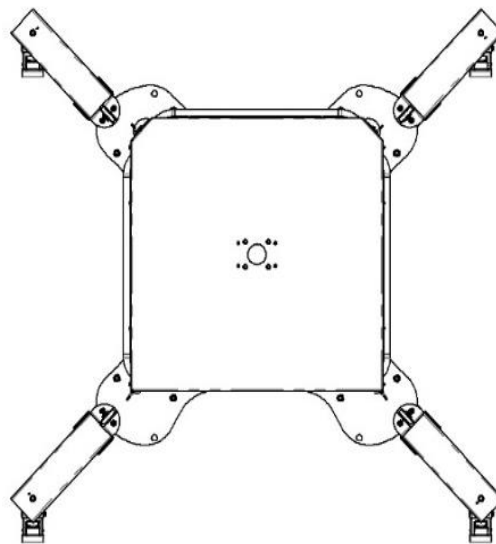
- 1.11 **To Lock Stabilizer Leg:** Carefully lift the ring on the end of a leg lock bolt to raise the ends of the lock bar above the heads of the two side limit bolts, rotate the ring 90 degrees in either direction to position the ends of the lock bar between the two limit bolts, then carefully lower the lock bolt until the end of it passes through the locking plate; this is the "LOCKED" position for the stabilizer leg.



- 1.12 Repeat the leg unlocking, leg repositioning and leg relocking procedure as described in earlier sections 1.9 to 1.11 with the three remaining legs to put them all in the Retracted or Extended position.



RETRACTED

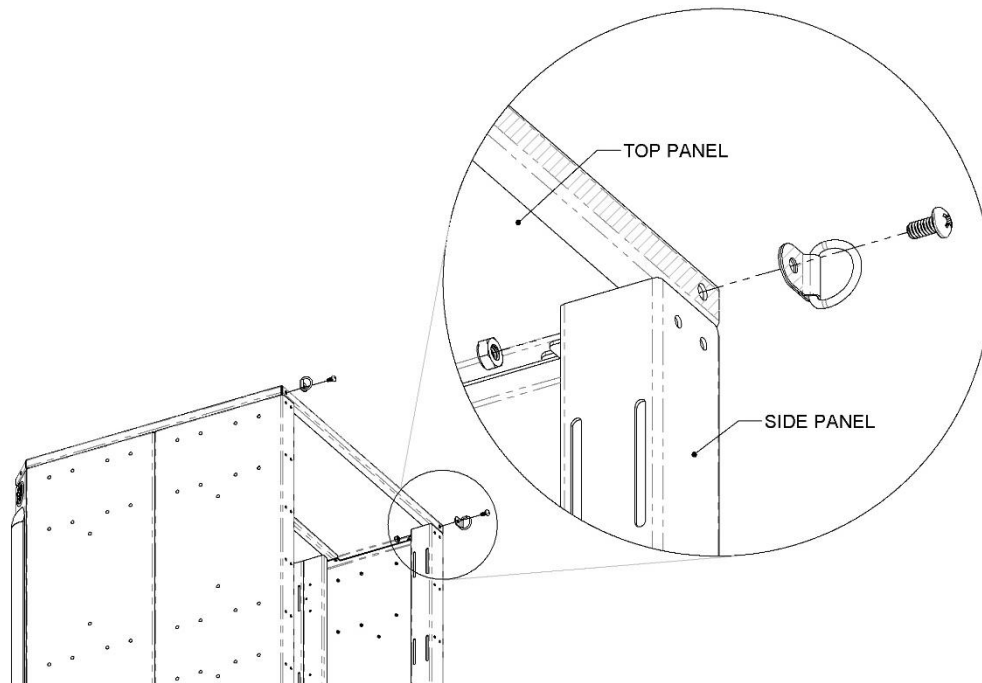


EXTENDED

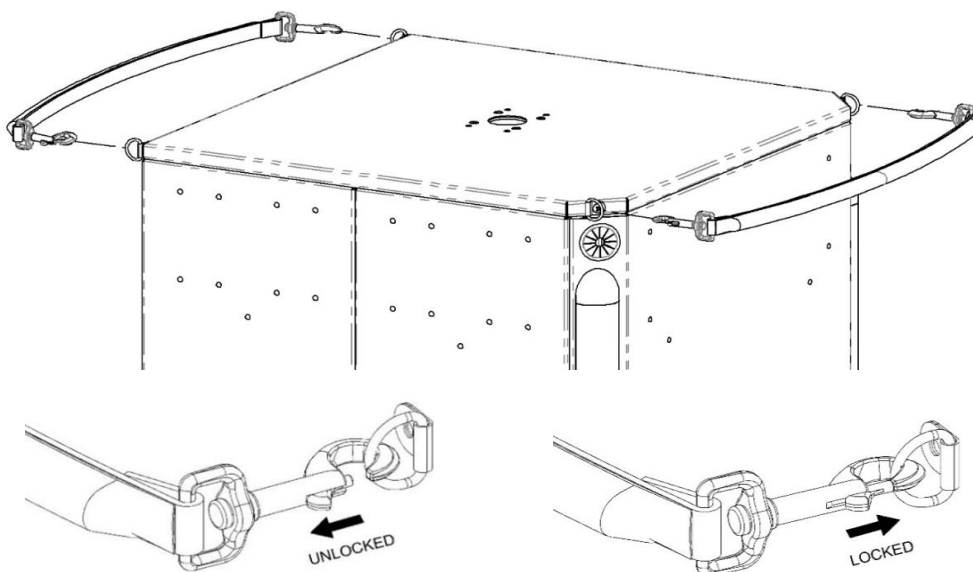
## Installing and using the Transport Straps on a Mobile Cabinet

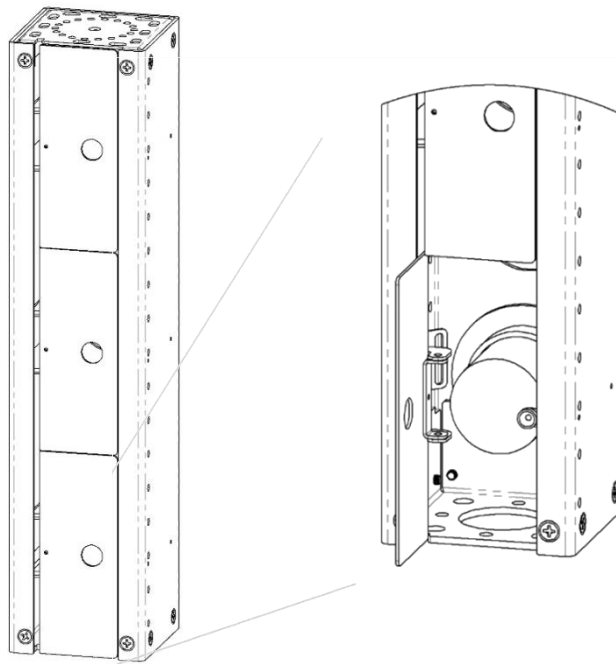
Note: as shipped, all mobile cabinet configurations will have the Transport Strap D Rings pre-installed on the cabinet at the factory; The transport straps will be packaged separately.

- 1.1 Note the holes in the corners of the stainless-steel top panel of the cabinet; these are for mounting the transport strap D Rings.
- 1.2 To install the D Rings and mounting hardware. Insert one ¼-20 x.5" L screw through each D Ring and through the top panel mounting holes. Install a locknut on the end of the screw on the inside of the top panel and tighten just enough so that the D Ring is still able to freely rotate.



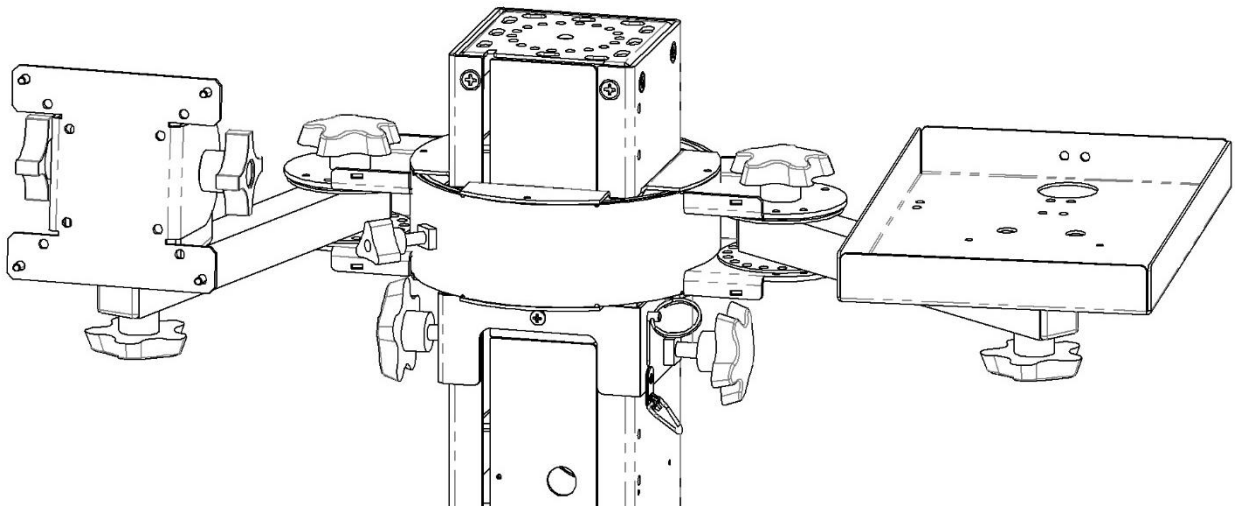
- 1.3 Identify the Transport Straps. Note the clips on both ends swivel and have a spring-loaded latch. Depress the latch and align the clip so that the D Ring is located inside the opening of the clip, then release the latch. The transport strap should now be secured to the side of the cabinet.





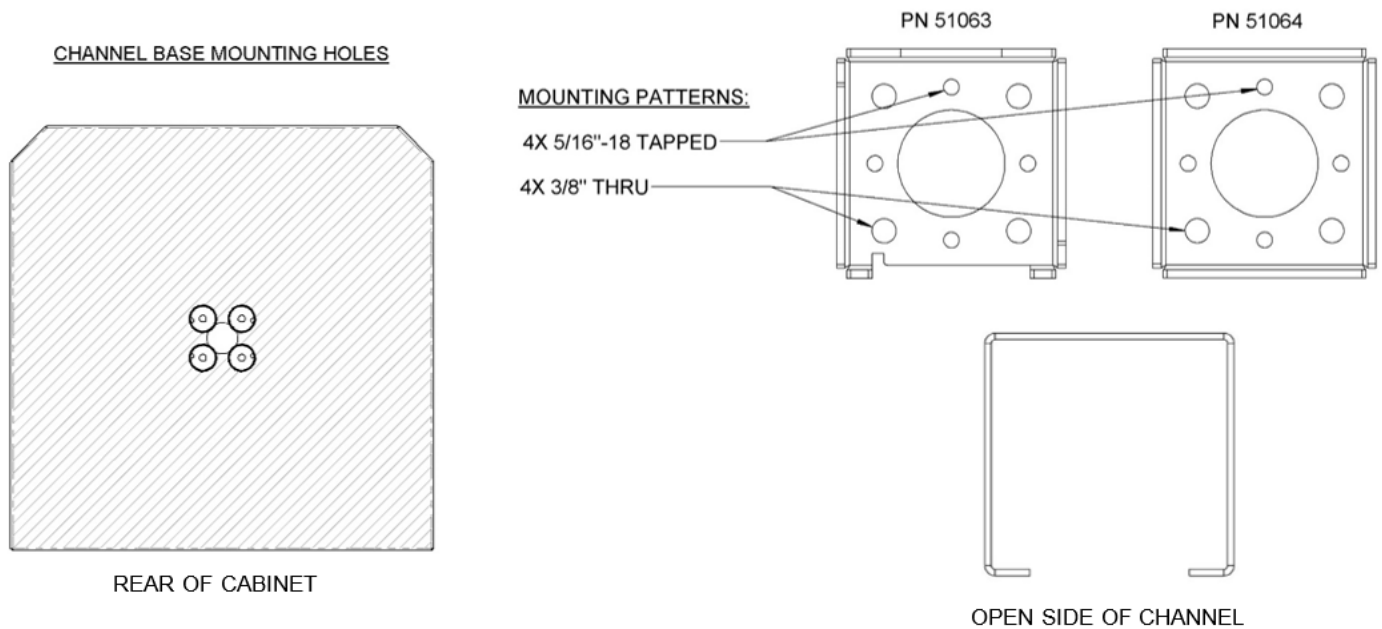
### Understanding the basic functions of the Pedestal Channel Assembly

- The Pedestal Channel Assembly is comprised of Pedestal Channel sections used alone or in combination with Channel Extension Sections, via Coupler sections, to create modular 4"X4" square, vertical pole assemblies ranging from 18" to 144".
- Pedestal Channel sections attach to the Mounting Bracket, Couplers, and Top Cap with #10-32 countersunk head Phillips screws.
- Pedestal Channel Assemblies are compatible with Arm Collar Assemblies supporting up to four independent Arm Assemblies, VESA Pan and Tilt Head Assemblies, and 4X4 Clamp On Mount Assemblies to support a variety of accessories.
- Pedestal Channel sections include a series of 2" diameter holes along their entire length that are used to route cables from the interior to the equipment on the outside of the channel. Multiple 6" magnetic latching access doors allow easy interior access.
- Two separate cable tie points are located at 6" intervals attached on opposite sides of the channel interior that are equipped with hook and loop straps.
- Pedestal Channel sections are available in three lengths 18", 36" and 96" and can be configured into a wide range of assemblies and combined with other components; the following configurations are four examples:
- An 18" or 36" Pedestal Channel Section can be attached to an 18" Round or a 32" Contoured Movable Base for countertop or desktop applications.
- An 18" Pedestal Channel Section can be attached directly to the mounting surface for countertop or podium applications.
- An 18" Pedestal Channel section can be coupled to a 36" Channel Extension Section attached to a 22" Round Movable Base to create a 54" floor stand assembly.
- Pedestal Channel Sections can be coupled to Channel Extension Sections to create assemblies up to 144" with the lower end attached directly to the floor or countertop and the upper end attached to the overhead ceiling structure to create free standing pole applications.
- To understand the difference between the two types of channels; know that pedestal channels have a series of 6" tall doors installed on the "Open side" of the channel; while Channel Extension sections have Cover Plates installed on the on the "Open side" of the channel.



**Understanding the basic functions of the Arm Collar Assembly** (Note- Arm collar for two arms shown)

- The Arm Collar Assembly employs a pair of round tube sections to provide adjustable side to side rotation around a pair of square brackets, which provide vertical position adjustment at any point along the length of a 4"X4" pole assembly.
- A pair of 3-point knobs are tightened to secure the desired rotational position of the Arm Collar around the pole and a pair of 5-point knobs are tightened to secure the up and down vertical position of the Arm Collar on the 4x4 pole assembly.
- A safety pin inserted through the lower section of the Arm Collar and into one of the holes in the side of the Pedestal channel section permanently secures the up and down vertical position.
- Arm Collar Assemblies are available with two or four arm mounting points referred to as Stand Off Brackets, and allow mounting of up to 4 independent Arm Assemblies and provide multiple cable tie points.

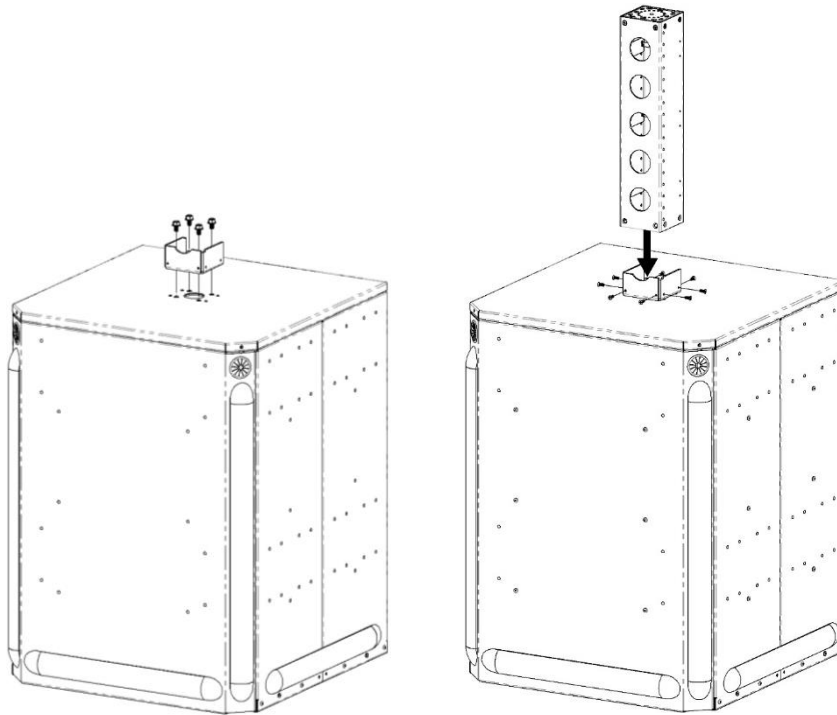


### Attaching a mounting bracket to the top of a 24X24 Cabinet for an 18" Pedestal or A 4X4 Pole assembly that spans to the ceiling

1. Use a section of heavy cardboard to make a cover for the 24" W X 24" D stainless- steel table top that has a 4.5" X 4.5" square hole cut in the middle and place this cover over the table top to protect it from damage.
2. Place the mounting bracket on the top of the middle of the cabinet directly over the square hole in the center of the cardboard cover.

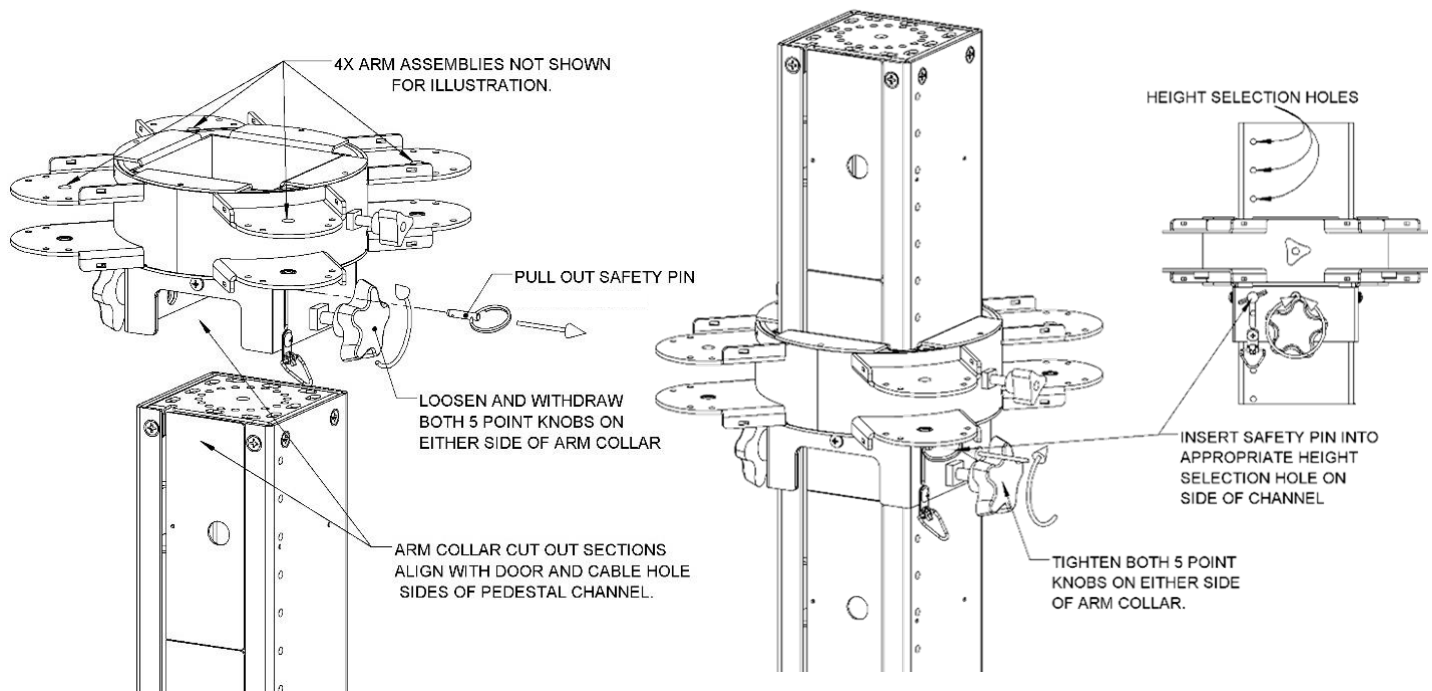
#### IMPORTANT NOTES ON ORIENTING THE MOUNTING BRACKETS:

- The "open side" of both an 18" H Pedestal channel and a Channel extension - pole assembly that spans to the ceiling should be oriented to align with the back of the cabinet.
  - Know that a PN 51064 mounting bracket for a channel extension -pole assembly can be oriented TWO ways to align the "open side" of the channel with the rear of the cabinet.
  - Know that a PN 51063 mounting bracket for a Pedestal channel with or without a pole assembly can be oriented only ONE way to align the "open side" of the channel with the rear of the cabinet.
3. Once the mounting bracket is correctly aligned with the rear of the cabinet; align the large center feed through hole in the mounting bracket with matching hole in the center of the top of the cabinet and align the four 3/8" through holes in the corners of the mounting bracket with the four 5/16-18 threaded holes on the top of the cabinet.
  4. Loosely install 4 EA 5/16-18 bolts through the 3/8" bolts in the mounting bracket, through the 3/8" holes in the stainless-steel table top of the cabinet and thread them into the 5/16-18 threaded holes on the reinforcing beam under the table top. Once all of the bolts are started; return to each bolt and tighten them securely with a 1/2" open end, box end wrench or a ratchet with a 1/2" socket.



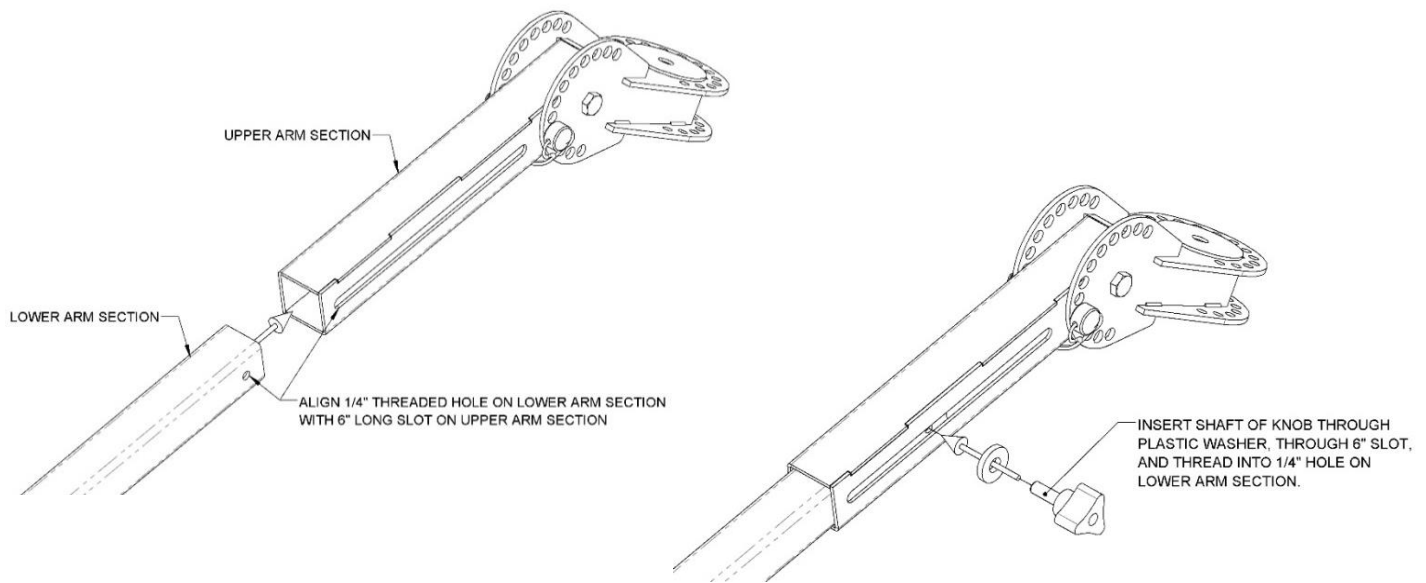
### Attaching an 18" Pedestal section to the top of a 24X24 cabinet

1. Carefully lift the 18" pedestal assembly into the vertical position, align the open side of the channel with the rear of the cabinet, then carefully slide the end of the pedestal channel over the mounting bracket.
2. Loosely insert the 8 EA 10-32 flat head screws that attach the bottom of Pole Assembly through the 8 holes in the four sides of the end of the pole assembly and into the threaded holes in the mounting bracket, once all 8 screws are started; return to each and tighten them securely.



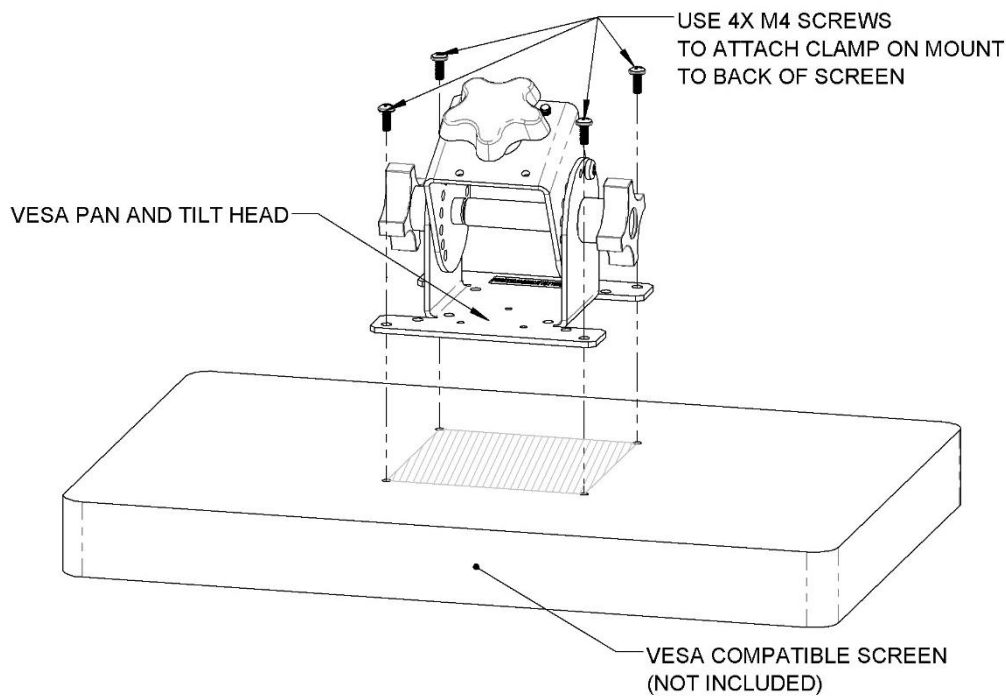
### Installing an Arm Collar Assembly onto a Pedestal Channel section

1. As shipped; all arm collar assemblies will require partial assembly in that they will need to have items such as pan and tilt heads, printer trays and lower arm assemblies reattached. Install the arm collar assembly onto the pedestal before reattaching these items.
2. If an Extended Pan and Tilt head assembly is installed on the top cap; remove it by opening the top most door, unscrewing the 5-point knob, lift off the Pan and Tilt head and rubber clutch washer, place the rubber washer on the shaft of the knob and then screw the knob into the pan base of the Pan and Tilt head assembly.
3. Verify that the two 5-point knobs located on the sides of arm collar are fully loosen that the ends of the shafts are fully withdrawn into the sides of the arm collar assembly.
4. Verify that the two 3-point knobs on the sides of arm collar assembly are secure and the outer collar cannot rotate around the inner section.
5. Verify that all of the 5-point knobs located on the stand off brackets around the sides of the arm collar assembly are secure and the arms cannot move.
6. Verify that the safety pin is removed from the slot on the side of the arm collar assembly.
7. Verify that all of the doors on the pedestal channel are closed and no items are protruding out of the cable path holes.
8. The arm collar assembly is installed with the stand- off brackets on the top and the two cut out sections are on the bottom.
9. Lift the arm collar assembly above the top of the pedestal; align the two sides with the cut-out sections with the side that has the cable path hole and the side with the doors and carefully slide the square opening in the center of the arm collar assembly down over the top of the pedestal channel.
10. Move the arm collar assembly down to its final vertical location of the pedestal channel, insert the safety pin into the hole inside of the slot on the side of the arm collar assembly and then tighten the two 5-point knobs located on the sides of arm collar.



### Assembling the lower half of an Articulating Extendable arm on an arm collar assembly

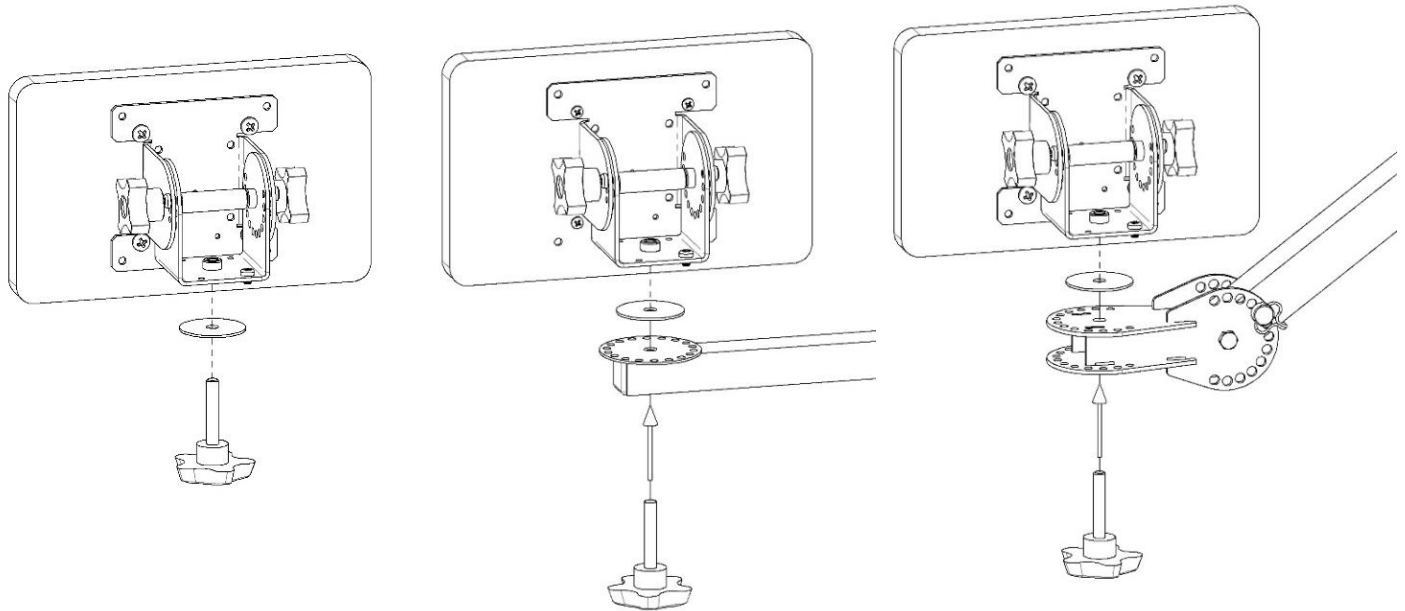
1. As shipped; all arm collar assemblies will require the lower arm assembly be attached to the upper arm assembly. Install the arm collar assembly onto the pedestal before reattaching these items. Identify the 1" square lower arm assembly; remove the 3-point knob and plastic washer from the threaded hole on the end of the arm.
2. Rotate the 1" square lower arm assembly arm until the 1/4" tapped hole on the side of the end of the lower arm is aligned with the with the 6" long slot on the side of the 1 1/4" square upper arm assembly that is attached to the Arm Collar assembly.
3. Insert the end of the 1" square lower arm into the end of 1 1/4" square upper arm assembly until you can see the tapped hole; then place the plastic washer on the shaft of the 3-point knob and insert the knob shaft through the slot and thread it into the tapped hole on the end of the lower arm.



### Attaching a VESA Pan and Tilt Head to the Back of a Screen

(Note; shown with a standard pan and tilt head; however, the procedure is the same for all pan and tilt head types)

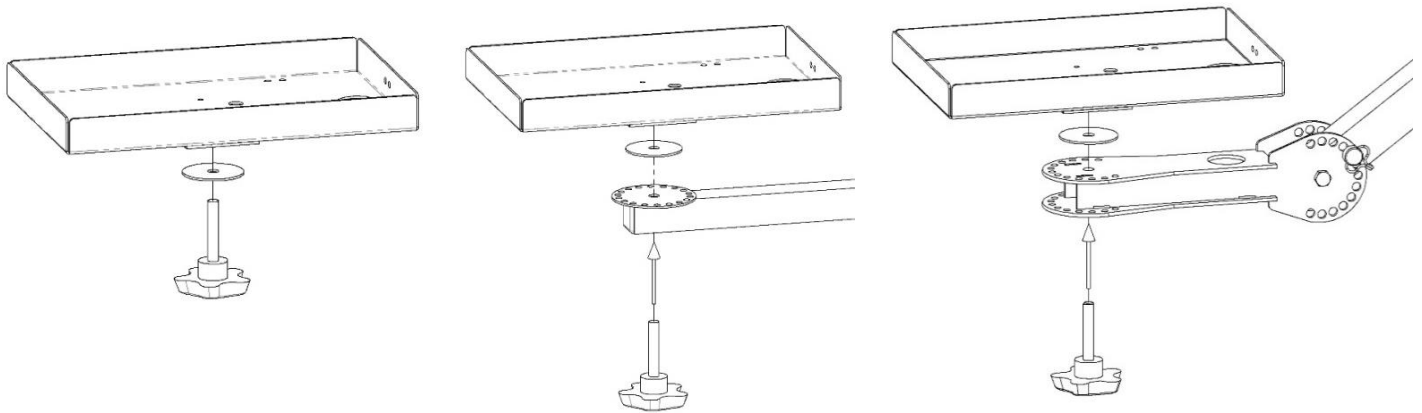
1. As shipped; all assemblies with VESA pan and tilt heads will need to be first attached to the back of the screens, then to the ends of the arms or a top cap. Install the arm collar or 4x4 clamp on assembly onto the pedestal or pole before reattaching the VESA pan and tilt heads.
2. If the pan and tilt heads are attached to the assemblies upon receipt; you will need to remove them by unscrewing and removing the 5-point knob from below panning base and then removing the rubber clutch.
3. Place the rubber washer back onto the shaft of the knob and then temporarily screw the knob into the panning base.
4. Lay the screen face down on a flat, smooth surface, then lay the VESA Pan and Tilt Head assembly with the VESA mounting plate facing down on the back of the screen.
5. Align the square pattern of either 75mm or 100mm spaced holes in the VESA mounting plate with the pattern of four tapped holes on the back of the screen.
6. Use a Philips screw driver to carefully install the four supplied M4 screws through the holes in the VESA mounting plate and into the tapped holes on the back of the screen.



### Installing a screen with an attached VESA Pan and Tilt Head on the end of an Arm

(Note; shown with a standard pan and tilt head; however, the procedure is the same for all pan and tilt head types)

1. As shipped; all arm collar assemblies will require that the VESA pan and tilt heads be attached to the ends of the arms. Install the arm collar assembly onto the pedestal before reattaching the VESA pan and tilt heads. Refer to the section “**Attaching a VESA Pan and Tilt Head to the Back of a Screen**”
2. To install the screen with the attached pan and tilt head onto the end of an arm; remove the five- point knob and the rubber clutch washer from the pan bracket of the VESA Pan and Tilt Head assembly. Place the rubber clutch washer on the top of the end of the arm and align the hole in the center of the washer with the hole on the end of the arm.
3. Carefully lift the Screen with the attached VESA Pan and Tilt Head assembly, align the tapped hole in the panning base of the pan and tilt head with hole in the rubber clutch washer on the top of the end of the arm, install the shaft of the five-point hand knob up through the underside of the arm, through the rubber clutch washer and then carefully thread it into the panning base of the pan and tilt head.



### Attaching a POS Printer or Peripheral Equipment Tray to the end of an Arm

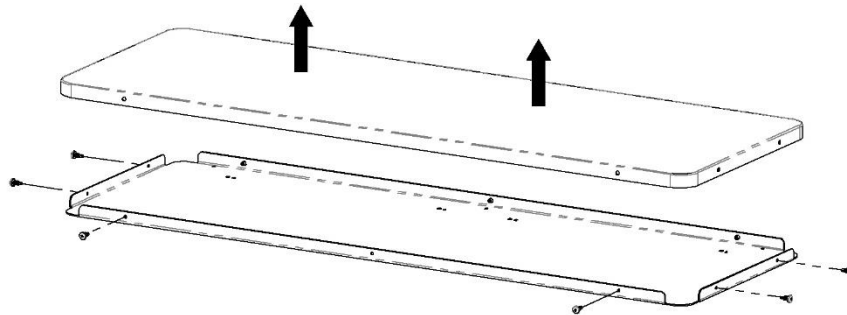
1. As shipped; all arm collar assemblies will require that the printer trays be attached to the ends of the arm assemblies. Install the arm collar assembly onto the pedestal before reattaching these items.
2. To install the printer tray; remove the 5- point knob and the rubber clutch washer from the base of the printer tray. Place the rubber clutch washer on the top of the end of the arm and align the hole in the center of the washer with the hole on the end of the arm.
3. Carefully lift the printer tray and align the tapped hole in the base of the tray on top of the rubber clutch washer on the top of the end of the arm, install the shaft of the 5-point hand knob up through the underside of the arm, through the rubber clutch washer and then carefully thread it into the base of the printer tray.

## Assembling a 12X36 side table with fixed or folding shelf brackets Part 1 of 2

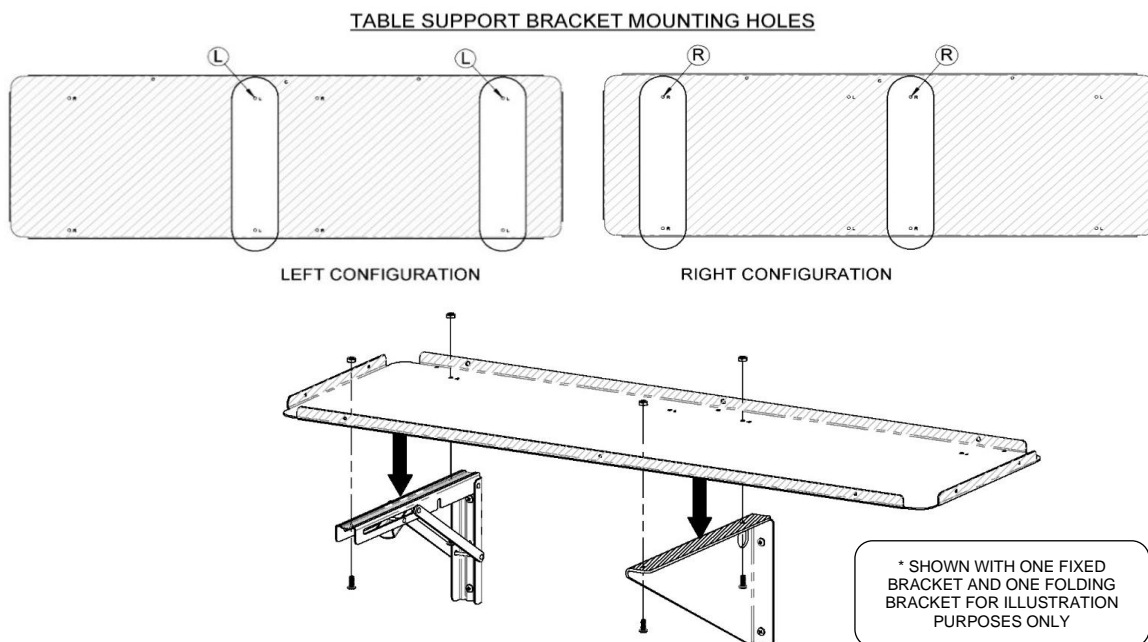
**Important note:** do not attach the shelf mounting brackets to the cabinet yet; first attach the mounting brackets to the bottom section of the side table, top section of the side table to the bottom support section; then attach the assembled side table with the brackets to the cabinet.

- 1.1 Examine the 12X24 stainless table top and note the two 10-32 threaded studs located on the inside edge of one of the 24" long sides and know that these studs must be inserted into the two #10 through holes on one of the 24" long sides of the galvanized bottom section.
- 1.2 Remove the stainless-steel table top from the bottom support section. Take note of the two sets of holes for attaching the side table to the long edge of the fixed or folding mounting brackets.

**Important notes:** the side of the top section with the two threaded studs should be oriented to be next to the side of the cabinet and that the side of the bottom section with the two sets of support latch brackets should be oriented away from the side of the cabinet.



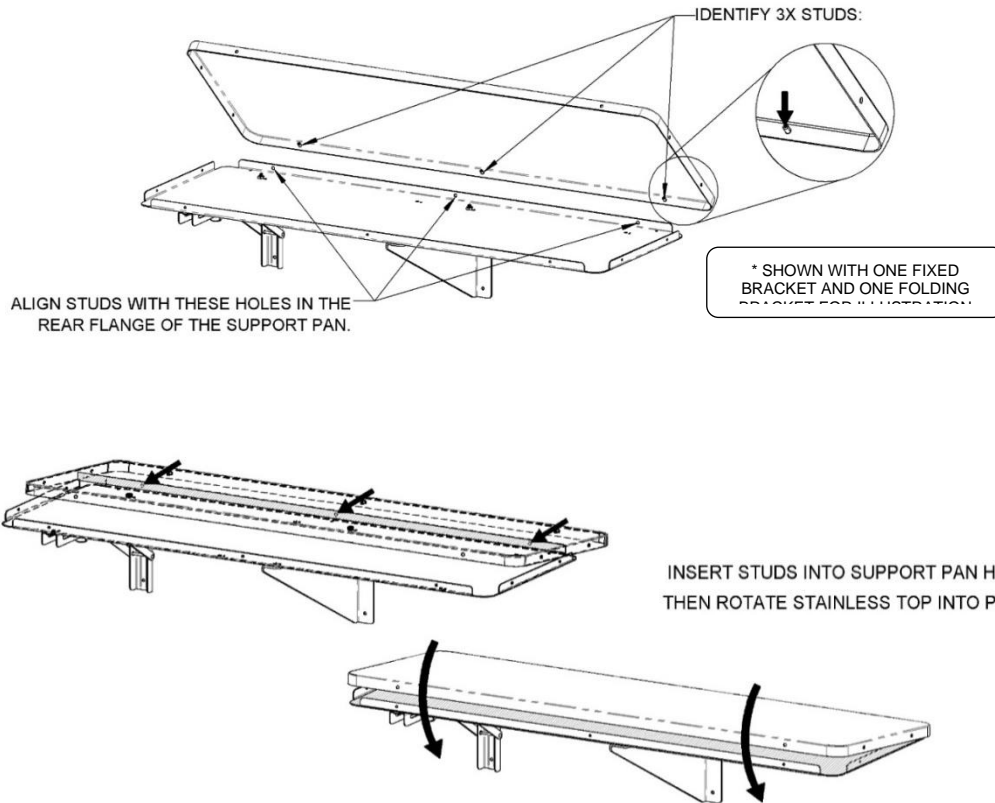
- 1.3 Hold the longer edge of the shelf mounting bracket against the bottom support section on the side opposite to the direction of the side flanges, align the two mounting holes in the shelf bracket with the two mounting holes in the bottom section, install the 10-32 screws through each hole in the shelf bracket, through the bottom section, and install the 10-32 nuts onto the ends of both screws; then tighten the screws securely.



**Important note:** if you are installing 12X36 shelves on your cabinet; you must install the support latches before proceeding; refer to section: **Installing and operating the support latch on a 12X36 Side Table**

**Assembling a 12X36 side table with fixed or folding shelf brackets Part 2 of 2**

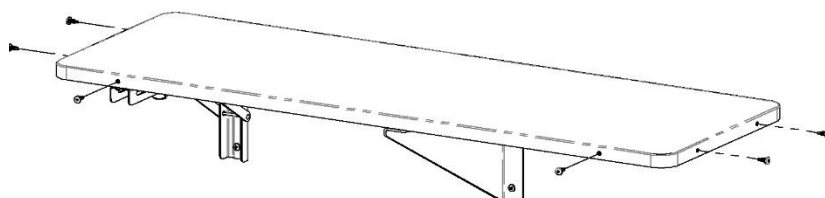
1.4 Examine the 12X24 stainless table top and note the two #10 size un-threaded studs located on the inside edge of one of the 24” long sides. Lift the 12X24 side table top and align the two studs with the two holes on the rear side of the 24” long side of the galvanized bottom section that will be against the cabinet denoted by a “C” stamped into the support pan. With the studs aligned, carefully guide the top down onto the bottom section so that all of the flanges on the table top are outside of the flanges of the bottom section.



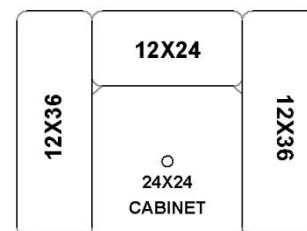
1.5 When the 12X24 stainless table top is correctly mated with the bottom section; insert two to six 10-32 screws on each of the three accessible edges of the 24” table top.

**Important note:** if a 12X24 Side Table will be installed adjacent to the 12X36 Side Table; do NOT install screws on the adjacent edge of the 12X24 Table.

INSTALL 2X #10-32 SCREWS THROUGH THE FRONT AND TWO SIDES OF THE STAINLESS TOP INTO THE SUPPORT PAN



IF A 12X24 SIDE TABLE WILL BE INSTALLED IN ADJACENT POSITION(S); DO NOT INSTALL THE SCREWS ON THAT SIDE OF THE 12X24 TABLE

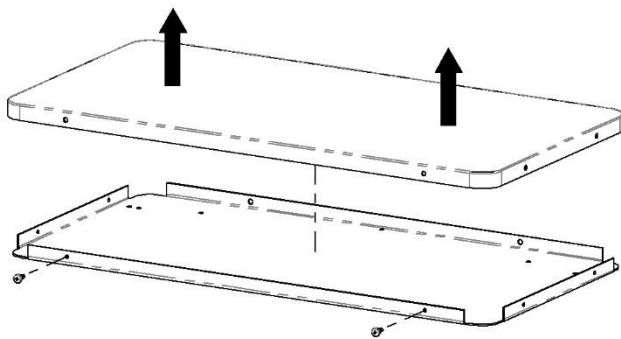


## Assembling a 12X24 side table with fixed or folding shelf brackets Part 1 of 2

**Important note:** do not attach the shelf mounting brackets to the cabinet yet; first attach the mounting brackets to the bottom section of the side table, top section of the side table to the bottom support section; then attach the assembled side table with the brackets to the cabinet.

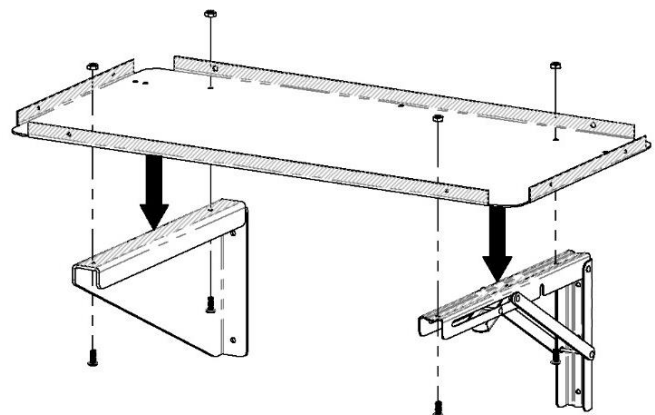
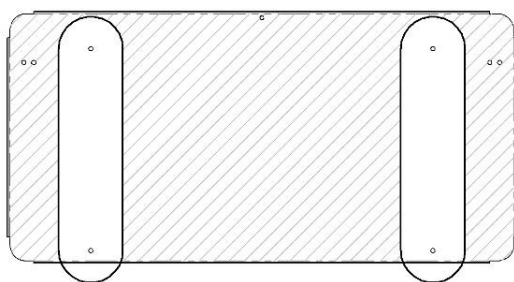
- 1.1 Examine the 12X24 stainless table top and note the two 10-32 threaded studs located on the inside edge of one of the 24" long sides and know that these studs must be inserted into the two #10 through holes on one of the 24" long sides of the galvanized bottom section.
- 1.2 Remove the stainless-steel table top from the bottom support section. Take note of the two sets of holes for attaching the side table to the long edge of the fixed or folding mounting brackets.

**Important notes:** the side of the top section with the two threaded studs should be oriented to be next to the side of the cabinet and that the side of the bottom section with the two sets of support latch brackets should be oriented away from the side of the cabinet.



- 1.3 Hold the longer edge of the shelf mounting bracket against the bottom support section on the side opposite to the direction of the side flanges, align the two mounting holes in the shelf bracket with the two mounting holes in the bottom section, install the #10-32 X 1/2" L screws through each hole in the shelf bracket, through the bottom section, and install the 10-32 nylon lock nuts onto the ends of both screws; then tighten the screws securely.

### TABLE SUPPORT BRACKET MOUNTING HOLES

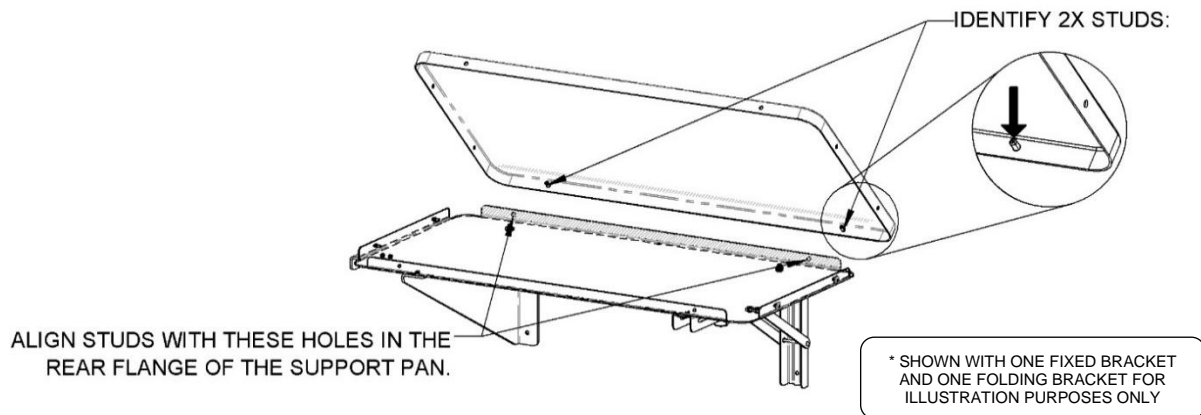


\* SHOWN WITH ONE FIXED BRACKET AND ONE FOLDING BRACKET FOR ILLUSTRATION PURPOSES ONLY

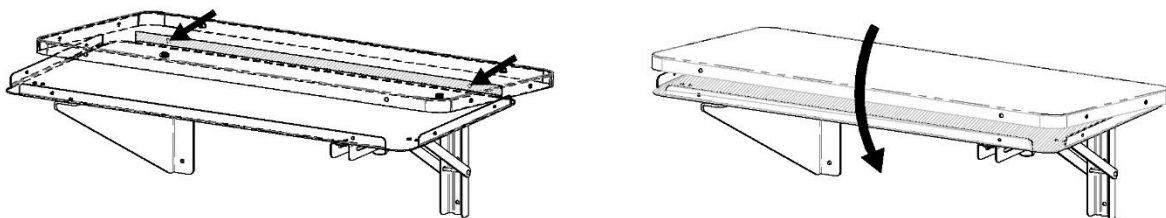
**Important note:** if you are installing 12X36 shelves on your cabinet; you must install the support latches before proceeding; refer to section: **Installing and operating the support latch on a 12X36 Side Table**

## Assembling a 12X24 side table with fixed or folding shelf brackets Part 2 of 2

- 1.4 Examine the 12X24 stainless table top and note the two #10 size un-threaded studs located on the inside edge of one of the 24" long sides. Lift the 12X24 side table top and align the two studs with the two holes on the rear side of the 24" long side of the galvanized bottom section that will be against the cabinet denoted by a "C" stamped into the support pan. With the studs aligned, carefully guide the top down onto the bottom section so that all of the flanges on the table top are outside of the flanges of the bottom section.



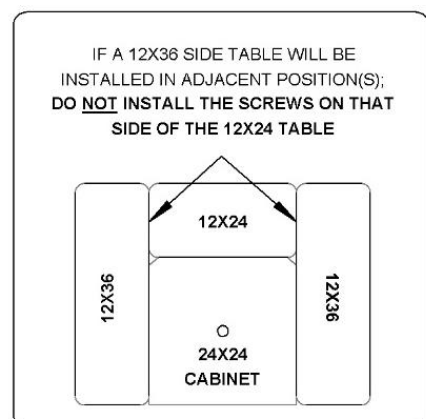
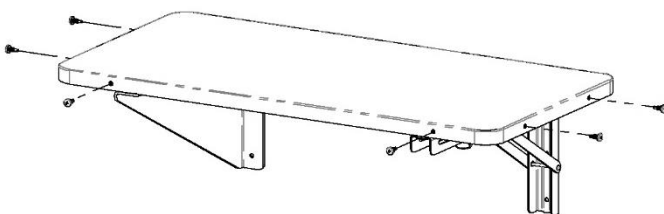
INSERT STUDS INTO SUPPORT PAN HOLES, THEN ROTATE STAINLESS TOP INTO PLACE.



- 1.5 When the 12X24 stainless table top is correctly mated with the bottom section; insert two to six 10-32 screws on each of the three accessible edges of the 24" table top.

**Important note:** if there is a 12X36 Side table adjacent to one or both ends of the 12X24 side table; do NOT install screws on the edges of that end.

INSTALL 2X #10-32 SCREWS THROUGH EACH THE FRONT AND TWO SIDES OF THE STAINLESS TOP INTO THE SUPPORT PAN



## Installing and operating the support latch on a 12X36 Side Table

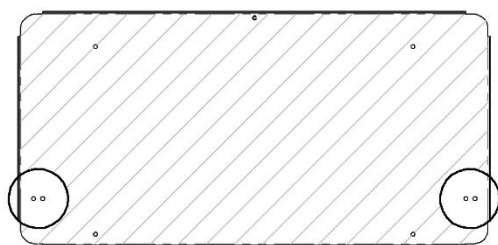
1.1 The 12X36 Side tables includes a support latch that bridges across the underside of an adjacent 12X24 side table to provide additional rigidity at the end of the 36" side table.

**Important note:** if you are using a mobile cabinet; All support latches must be retracted BEFORE attempting to fold down any of the side tables. When used on stationary cabinets with fixed side tables; the latch is permanently attached to both side tables.

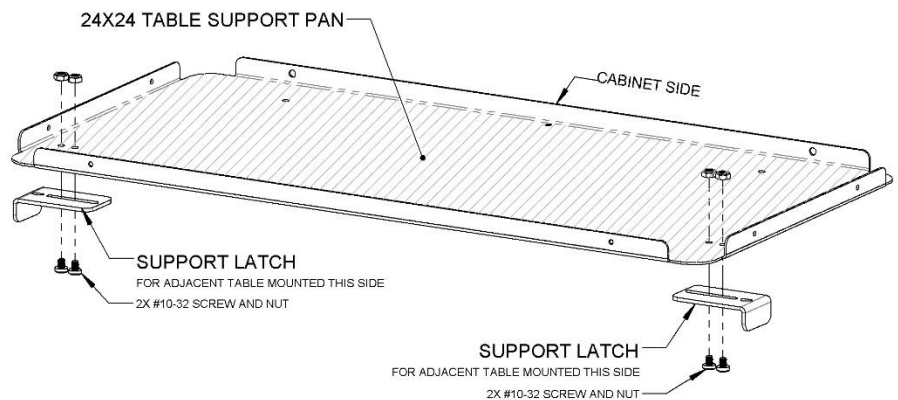
**Important note:** the support latches must be installed prior to installation of the 12X24 table top on the 12X24 bottom support panel.

1.2 **Installing the support latch:** Locate the support latch and #10-32 mounting screws and nuts in the 12X36 Side Table hardware kit. The support latch is installed on either the right or left side of the adjacent 12X24 side table, depending on which side the 12X36 table is located. If you have both right and left 36" side tables; you will have support latches on both sides of the center 12X24 table.

### SUPPORT LATCH MOUNTING HOLES

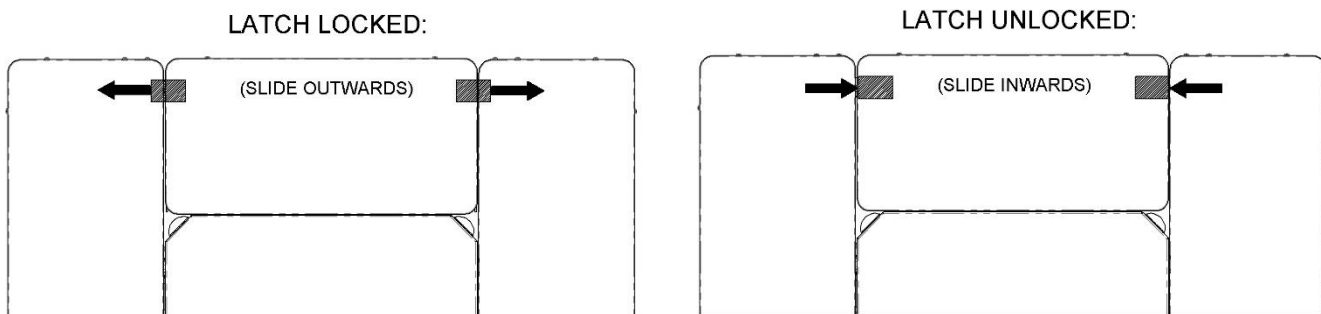


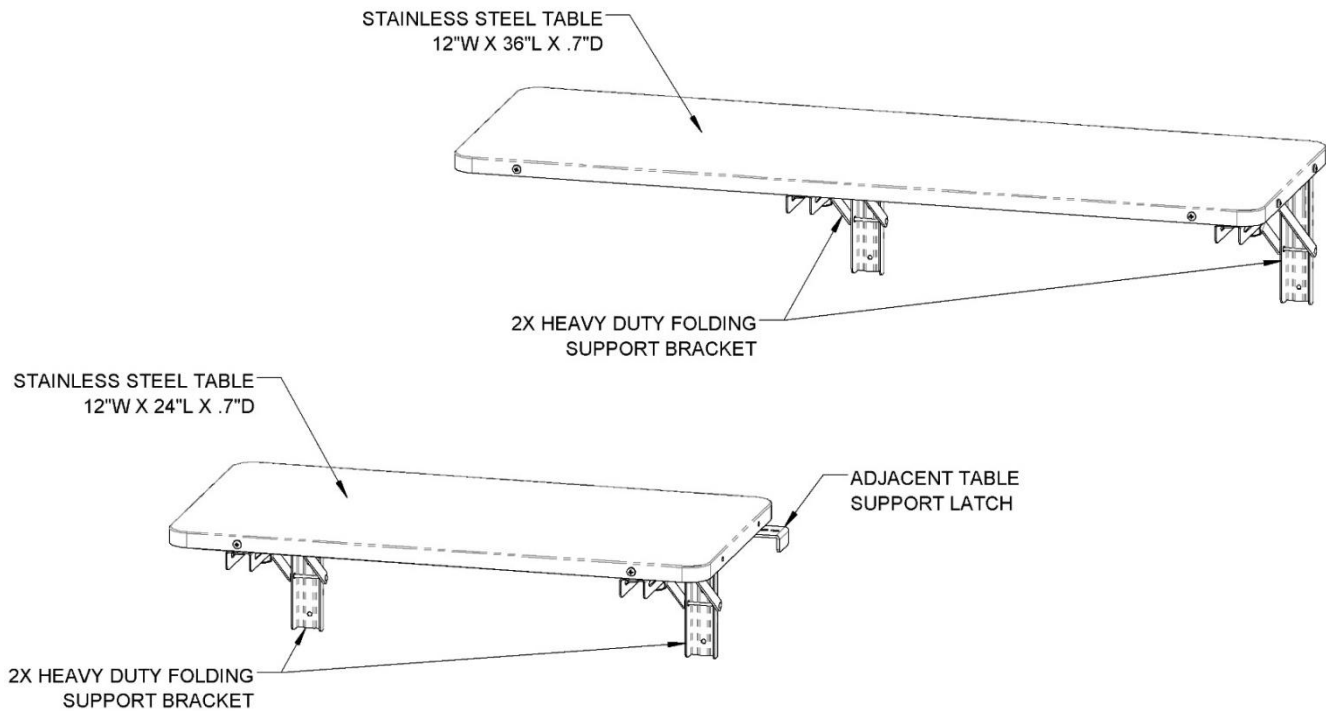
^ 12X24, FRONT SIDE ^



1.3 Locate the two #10 through holes on the bottom panel of the 12X24 side table, hold the latch so that the tab is facing away from the underside of the bottom panel; insert two #10-32 screws up through the longer slot in the latch, through the bottom panel and then install #10-32 lock nuts onto the ends of both screws. Carefully tighten the screws only enough so that the latch is flush against the underside of the 12X24 bottom panel, but still able to be moved side to side.

1.4 **Operating the latch to the locked or unlocked positions:** Grasp the vertical tab and slide the latch across the gap between the sides of the 12X24 and 12X36 tables; the latch will stop when the mounting screws reach the end of the latch limit slot. Slide the tab towards the 12X36 side table to lock; slide the tab away from the 12X36 side table to unlock.





### Attaching a Folding or Fixed Side Table to a 24X24 Cabinet, Part 1 of 3

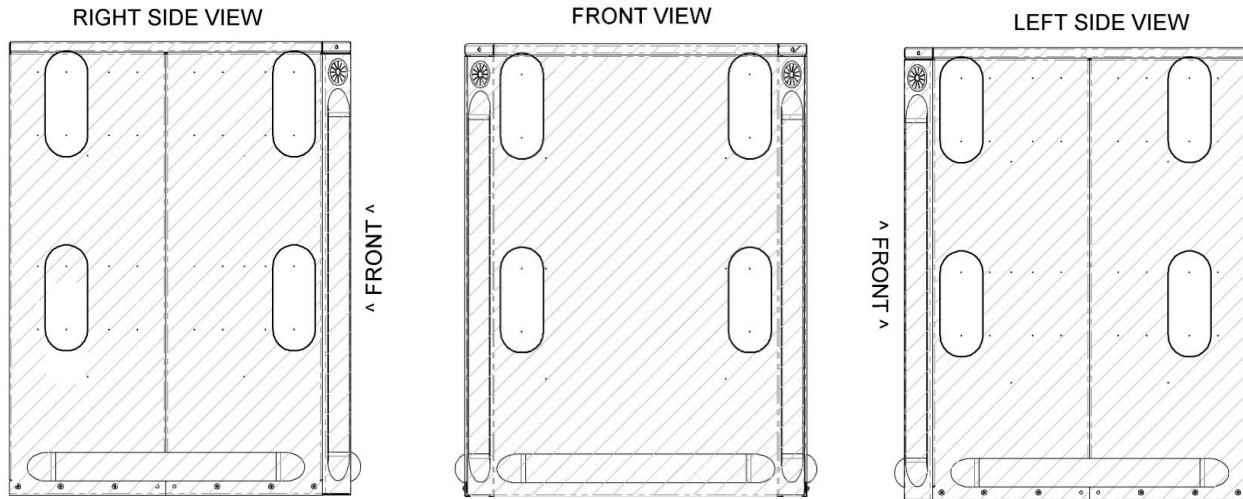
**Overview:** Depending on the type of cabinet assembly that you are using, Side Tables may have been installed at the factory. When side tables are installed at the top position, they align with the 24" W x 24" D Top Panel of the cabinet to extend the work surface 12" with each side table. When the side tables are installed at the middle position; they create sections of 12" deep shelving around the sides of the cabinet.

**12"x 36" Side Table** - The 12"x 36" side table is attached to a 24X24 cabinet with a pair of either fixed or folding brackets. The 12"x 36" side table is usually attached at the top position on the right, left or both sides, but can also be installed at the middle position of a 24X24 cabinet.

**12"x 24" Side Table** - The 12"x 24" side table is attached to a 24X24 cabinet with a pair of either fixed or folding brackets. The 12"x 24" side table is usually attached to the front of cabinets at either the top or middle position, however it can also be attached on the right, left or both sides at the top and middle positions of a 24X24 cabinet.

**Important note:** all interior shelves should be installed BEFORE the side tables are installed to prevent the ends of the fasteners that support the side table brackets which protrude on the inside of the cabinet from complicating the fitment of the interior shelves.

**Important note:** If you are also installing one or more 36" L Side Tables adjacent to a 12X24 table, the installation instructions are slightly different and are covered in separate sections. Also, important to remember; you must install the support latches before installing the 12X24 table top on the 12X24 bottom panel. Refer to section: **Installing and operating the support latch on a 12X36 Side Table**

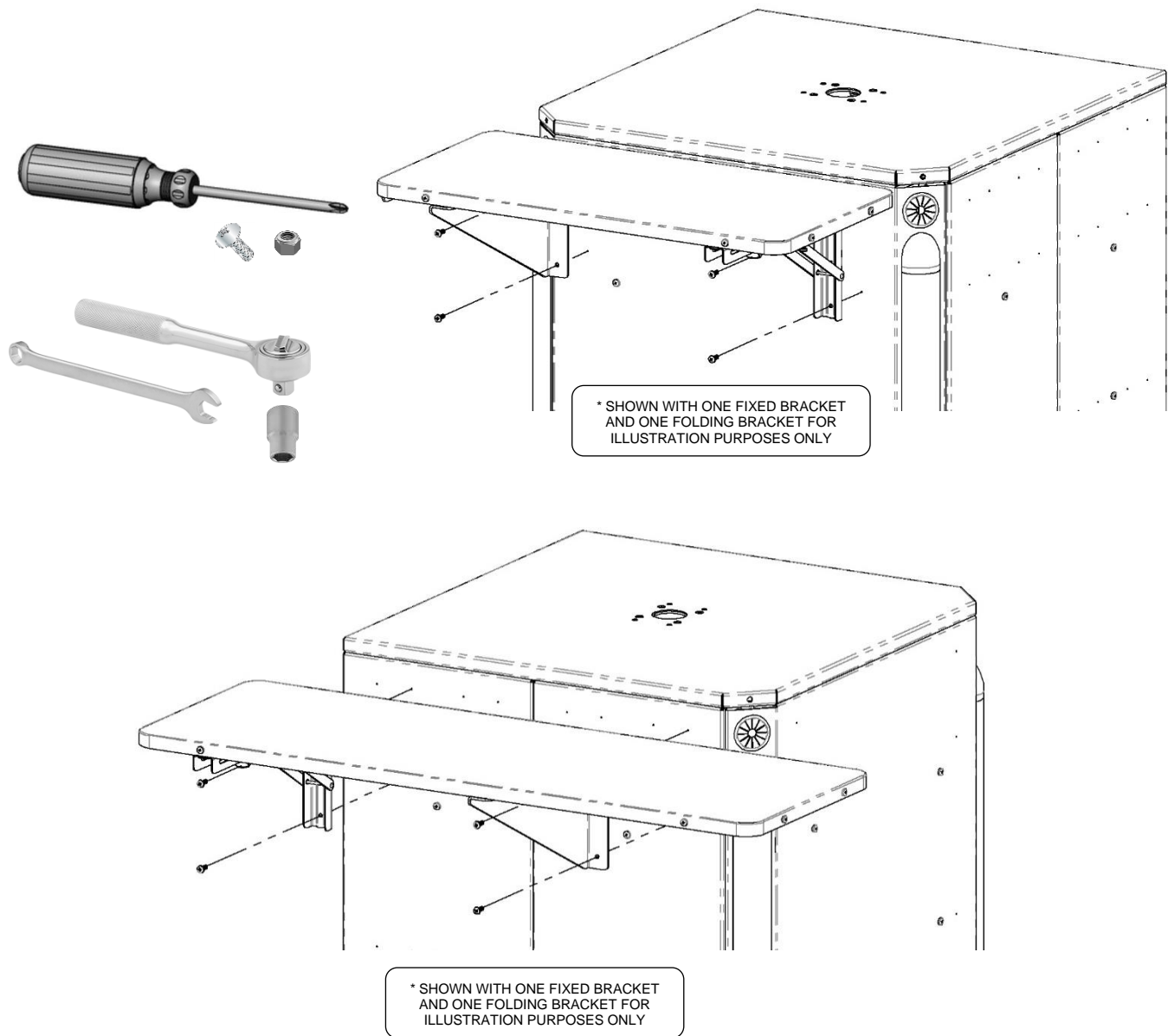
EXTERNAL STAINLESS TABLE / SHELF MOUNTING HOLES**Attaching a Folding or Fixed Side Table to a 24X24 Cabinet, Part 2 of 3**

- 1.1 Locate the table assembly with installed mounting brackets and cabinet mounting hardware kit. Examine the mounting brackets and note that the brackets have two edges with sets of mounting holes; the longer edge attaches to the bottom of the table and the shorter edge attaches to the side of the cabinet. If you are using folding brackets; lock them in the extended position for installation.
- 1.2 Inspect the sides of the cabinet where you will be attaching the side tables and note that there are two positions; the top position that aligns the side tables with the top of the cabinet and a middle position that is located half way down the side of the cabinet.

**Important note:** the cabinet front and side panels have multiple arrays of small "pilot" holes which indicate the locations where the holes must be drilled to install internal and external side tables and shelves.

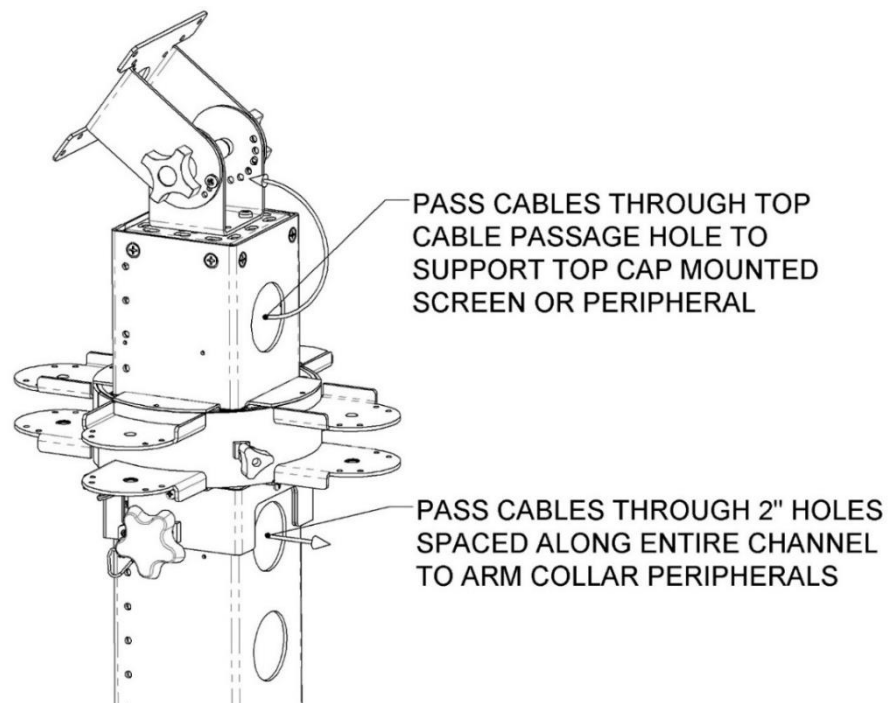
- 1.3 Once you have determined the shelf position you will be using, identify the sets of two pilot holes located on the sides and front of the cabinet.

You will need a cordless drill and a No.9 (.1960) OR No.7 (.2010) OR 13/64" drill bit to create the holes for the #10-32 screws.



### Attaching a Folding or Fixed Side Table to a 24X24 Cabinet, Part 3 of 3

- 1.4 Have an assistant lift the assembled 12X24 side table with the shelf brackets into place, align the two holes in each shelf bracket with the drilled holes in the side of the cabinet. Install two #10-32 screws through each bracket and through the side of the cabinet, then loosely install #10-32 nylon lock nuts onto the ends of each screw inside the cabinet
- 1.5 Ensure table is level and properly aligned with the cabinet top and adjacent cabinet sides, then return to each screw and tighten securely. A 3/8" size box or open-end wrench or a ratchet with a 3/8" socket can be used to prevent the #10-32 lock nuts from turning when tightening the screws.



### Installing and routing cabling from inside a Pedestal Channel to the Arms on an arm collar or to a Top Cap mounted Pan and Tilt head

1. Install the arm collar assembly on the pedestal channel and move it to its final height position.
  2. Install the equipment onto the ends of the arms and the top cap.
  3. Route the associated cabling up into pedestal channel and out through of the series of 2" diameter holes to the equipment onto the ends of the arms and the top cap. Be sure to leave enough slack cable so that the equipment on the ends of the arms can be adjusted without binding on the cables.
- All Channel Extension Sections and Couplers have an internal vertical cable pathway that is approximately 3 3/4" W X 3 3/4" D square.
  - Pedestal Channel sections include two separate sets of cable management tie points located at 6" intervals on opposite sides of the channel interior for securing the cabling with the included hook and loop strapping.

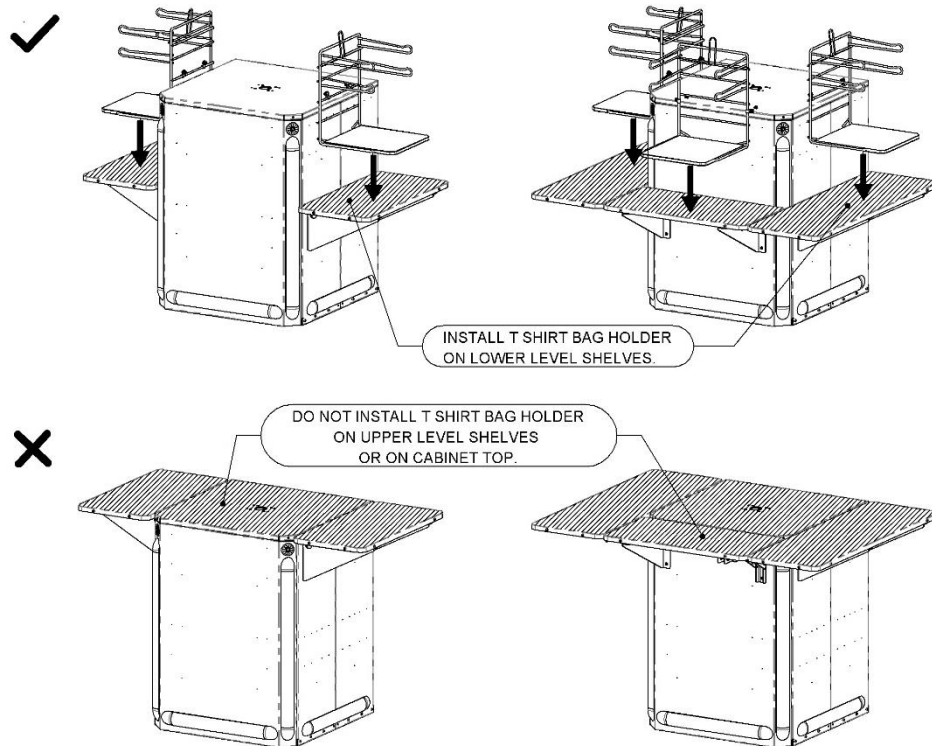
**Recommendation:** Route and bundle all high voltage power cabling on one side of the channel and all low voltage cabling in a separate bundle on the other side.

- Use the materials included in the PN 21284 Pedestal Channel Cable Management Kit to protect and secure the cabling.
- Move each piece of equipment to discover the desired full range movement; tie off the cabling and then feed any excess cabling back into the Pedestal Channel.
- When all of the cables have been connected, perform power up and operational tests on all of the installed equipment. When you are satisfied that all of the equipment is operating correctly; secure all of the cabling inside of the Pedestal Channel using the two sets of hook and loop straps which are located on two opposite sides of the channel interior. We recommend that all high voltage power cabling be kept in one bundle on one side of the pedestal channel and all low voltage cabling be kept in a separate bundle on the other side.

## Installing a T Shirt Bag Holder on a 12X24 or 12X36 Stainless Side Table or Shelf Part 1 of 2

1.1 A T shirt bag holder can be mounted on the front or sides of cabinet assemblies with stainless site tables. The steel rod frame of the T shirt bag holder is secured to the cabinet with single hole clamps that are secured to holes in the side panels of the cabinet assembly.

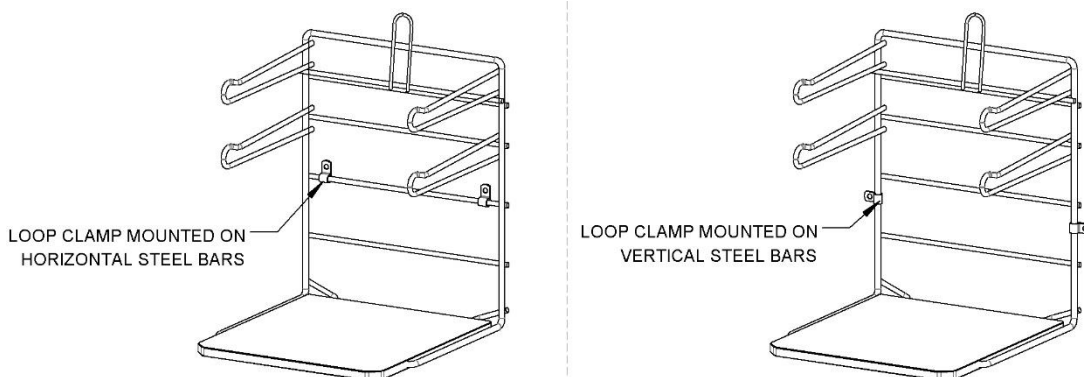
**Important Note:** a T Shirt Bag Holder should ONLY be installed on lower-level stainless side tables. DO NOT install the T Shirt Bag Holder on upper-level shelves or on the stainless cabinet top surface.



1.2 Locate the mounting hardware kit for the T Shirt bag holder. It should contain four single hole clamps, four 10-32 X 1/2" L screws and four 10-32 nylon lock nuts.

1.3 Take note of the single hole clamps and understand that they can be mounted on both the horizontal and vertical steel rods of the T Shirt Bag Holder assembly.

**Important Note:** typically, T Shirt Bag Holders mounted on the FRONT of Cabinet assemblies should secure clamps to the vertical rods; T Shirt Bag Holders mounted on the SIDES of Cabinet assemblies should secure clamps to the horizontal rods.

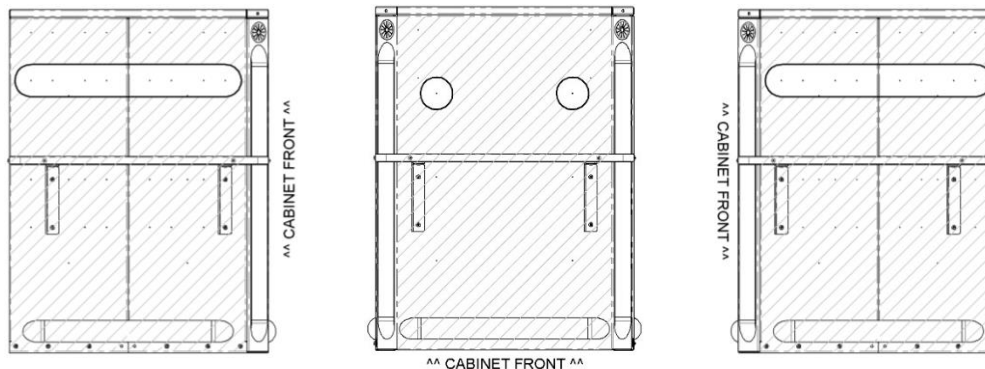


## Installing a T Shirt Bag Holder on a 12X24 or 12X36 Stainless Side Table or Shelf Part 2 of 2

- 1.4 Note that there are tiny pilot holes located on right, left and front side panels of the cabinet. These holes are used for attaching both internal shelves and an external T shirt bag holder. If the holes have already been drilled out and have screws installed; you will first have to remove these screws and then re-install then through the single hole clamps to secure the bag holder.

If the pilot holes have not been drilled out to insert screws to support an internal shelf; they will need to be drilled out, you will need a cordless drill and a No.9 (.1960) OR No.7 (.2010) OR 13/64" to create the holes for the #10-32 screws.

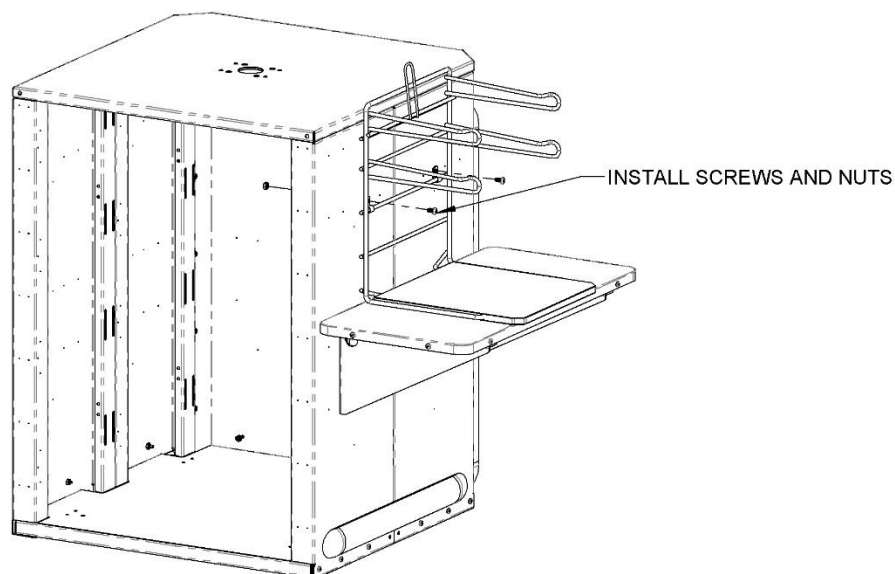
### T SHIRT BAG HOLDER LOOP CLAMP MOUNTING HOLES



- 1.5 Place the bag holder assembly onto the stainless shelf assembly. Center the bag holder on the shelf so that the steel rod frame is positioned next to at least two of the mounting holes. Temporarily install 2-4 single hole clamps around the bag holder steel frame to identify which holes should be used, adjusting if necessary. Mark these holes to be drilled, place the bag holder assembly aside and return to drill the marked holes.

- 1.6 Again, place the bag holder assembly onto the shelf assembly. Align the holes in the loop clamps with the drilled holes in the cabinet assembly.

- 1.7 Insert the 10-32 screws through the holes in the clamps and through the drilled holes in the cabinet, then thread a lock nut loosely onto the end of each screw. When all nuts have been installed; return to each screw and tighten securely. A 3/8" size box or open-end wrench or a ratchet with a 3/8" socket can be used to prevent the #10-32 lock nuts from turning when tightening the screws.



**Interactive Catalog of Product Sub Groups**

There are many individual products included in the various product sub groups featured on these pages.  
Click on the images or descriptions to visit the individual product sub group pages on our website.  
For Information about individual products; click on the "Product Attachments" tab on each of the individual product pages.

[Practical Quality Systems Home Page](#)



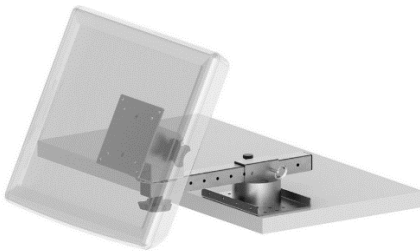
[Wall Mounts for Screens](#)



[Wall Mounts for POS Printers](#)



[Wall Mounts for Screens and POS Printers](#)



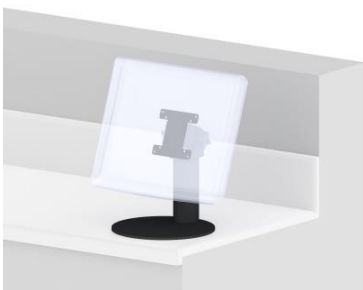
[Shelf Edge Mounts for Screens](#)



[Shelf Edge Mounts for POS Printers](#)



[Shelf Edge Mounts for Screens and POS Printers](#)



[Counter Top Mounts for Screens](#)



[Counter Top Mounts for POS Printers](#)

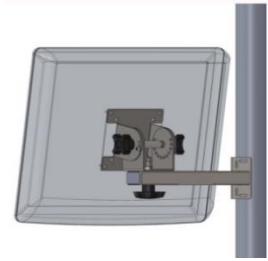
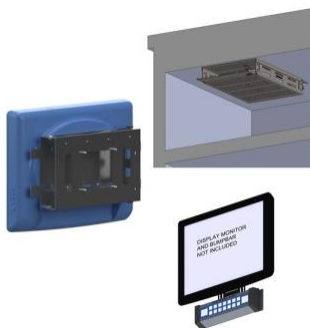
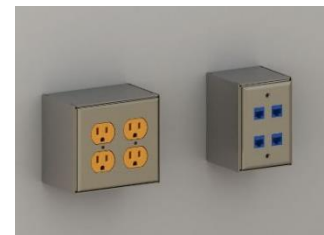


[Counter Top Mounts for Screens and POS Printers](#)

## Interactive Catalog of Product Sub Groups

Page 2

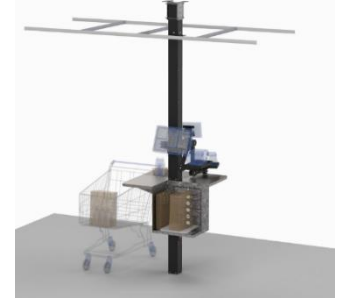
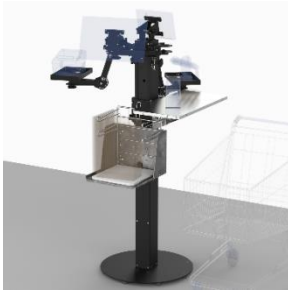
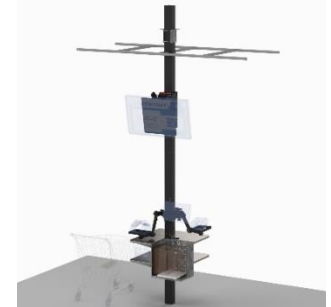
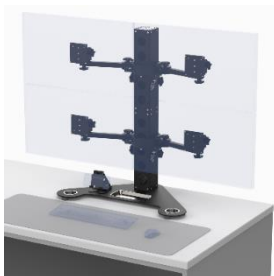
There are many individual products included in the various product sub groups featured on these pages.  
[Click on the images or descriptions to visit the individual product sub group pages on our website.](#)  
 For Information about individual products; click on the "Product Attachments" tab on each of the individual product pages.

[Practical Quality Systems Home Page](#)[Pole Mounts for Screens](#)[Pole Mounts for POS Printers](#)[Ceiling Mounts for Screens](#)[Oracle MICROS Mounting Systems](#)[NCR Aloha KDS Mounting Solutions](#)[QSR KDS Mounting Solutions](#)[Logic Controls Bematech KDS Mounting Solutions](#)[Universal Kitchen Display System Mounting Packages](#)[Enclosures for Touchscreen, Monitors and Thin Clients](#)[Back Of Screen VESA Mounts for Controllers, Thin Clients, Bump Bars, Tap+ Touch + EMV Readers](#)[Stainless Steel Wireways](#)[Stainless Steel Power and Data Outlet Monuments](#)

## Interactive Catalog of Product Sub Groups

Page 3

There are many individual products included in the various product sub groups featured on these pages.  
[Click on the images or descriptions to visit the individual product sub group pages on our website.](#)  
 For Information about individual products; click on the "Product Attachments" tab on each of the individual product pages.

[Practical Quality Systems Home Page](#)[Movable Countertop POS Stands](#)[Direct Mount Countertop POS Stands](#)[POS Cashier Pole Stands](#)[POS Cashier Floor Stands](#)[POS Self-Check Out Kiosk Floor Stands](#)[POS Self-Check Out Kiosk Pole Stands](#)[Take Out Pickup Pole Stands](#)[Take Out Pickup Floor Stands](#)[Information Kiosk Floor Stands](#)[Desktop Multi-Screen Pedestal Stands](#)[4X4 Pole Clamp on Mounts](#)[Mobile Cashier Stands](#)

**Interactive Catalog of Product Sub Groups**

There are many individual products included in the various product sub groups featured on these pages.

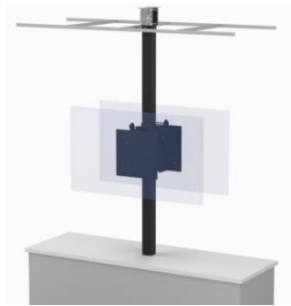
Click on the images or descriptions to visit the individual product sub group pages on our website.

For Information about individual products; click on the "Product Attachments" tab on each of the individual product pages.

[Practical Quality Systems Home Page](#)



[Mobile Self-Check Out Stands](#)



[Digital Signage Pole Stands](#)



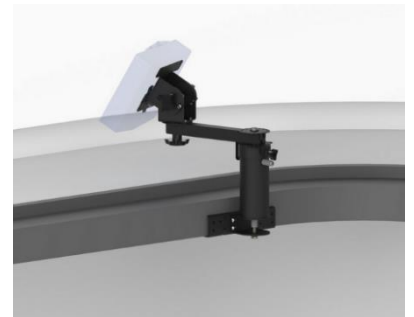
[Stationary Podiums](#)



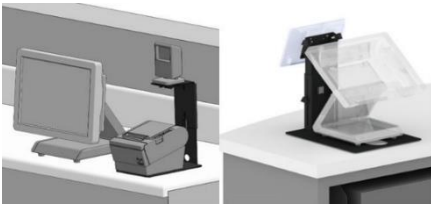
[Stationary Podiums with Ceiling Feed Pole](#)



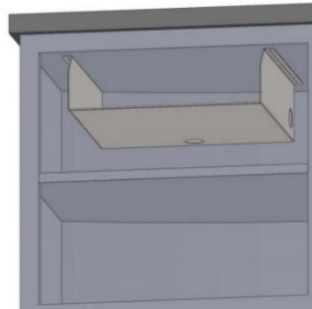
[Mobile Podiums](#)



[Ingenico Lane Reader Mounting Systems](#)



[Other Counter Top Mounts](#)



[Cash Drawer Mounting Solutions](#)



[Stainless Steel Wireway Accessories](#)

[24X24 Kiosk Cabinet Accessories](#)

[4X4 Pole Assemblies Accessories](#)

[Toast Mounting Systems](#)

**We believe in ethical SEO relevancy. The following sections were included to assist the all-knowing algorithms in locating this page. However; some humans like it too.**

**Compatible POS Systems:**

MICROS ORACLE, Lightspeed, Logic Controls, Bematech, NCR, Aloha, elotouch, posiflex, Poster POS, ehopper, Beetronics, Tyso, Favpng, Touch Dynamic, FastSpring, CAKE, Erply, Sapaad, Upserve, Salesforce Commerce Cloud, Block, Miva Merchant, Epos Now, QuickBooks POS, Shopify, VEND, Revel, Clover, CovaPOS, Oracle NETSUITE, GoDaddy, Helcim, Epos Now, Upserve POS, Elo, CardConnect, ALOHA, SQUARE, Posnation, KORONA POS, BEMETECH, Toast, Touchbistro, LAVU, Partnertech, and any system with a 50mm, 75mm or 100mm VESA compatible mounting standard.

**Partial List of compatible printers that fit the interior dimensions of our Printer Trays: 6½" W X 10¼" L X 1" D:**

Anser U2, Brother QL 800, Brother PTP700, Citizen CT-E351, Clover P500, Clover Mini, Custom America CT-E351, Dymo LabelWriter 450, Dymo LabelWriter Wireless, Dymo LabelManager PnP, Epson TM-T88V/VI, Epson TM-T20II, Epson TM-U220 Type B & D, POS-X Evo HiSpeed, Rollo Printer, Sato FX3-LX, Sato WS2, Square Terminal, Star Micronics mC-Print3, Toast Printer, Elo Pay.

**Movable Countertop Point of Sale Stands, Direct Mount Countertop Point of Sale Stands**

Point of Sale countertop kiosk, POS terminal Display Stand with arms, Countertop Point of sale support system, Cashier countertop stand with arms, VESA POS Mounting Solution with arms for printer and Pin pad holder, Cashier countertop stand for POS terminal, printer, customer display, Rear marketing display and Pin pad or payment terminal. Through countertop POS Cashier mount with arms.

**Cashier Pole Stands, Cashier Floor Stands, Mobile Cashier Stands:**

Point of Sale floor stand kiosk, POS terminal Display floor stand with arms, Floor stand Point of sale support system, Cashier floor stand with arms, VESA POS Mounting Solution with arms for printer and Pin pad holder, Cashier floor stand for POS terminal, printer, customer display, Rear marketing display and Pin pad or payment terminal.

**Self-Check Out Kiosk Pole Stands, Self-Check Out Kiosk Floor Stands, Mobile Self-Check Out Kiosks:**

Point of Sale Self-service floor stand kiosk, Self-service POS terminal Display floor stand with arms, Floor stand Point of sale Self-Check Out support system, Self-service floor stand with arms, VESA Self-service POS Mounting Solution with arms for printer and Pin pad holder, Self-service floor stand for POS terminal, printer, customer display, Rear marketing display and Pin pad or payment terminal, SCO solution, Interactive Kiosk, Self-Ordering, Self-Checkout, Self Service, Service Point Kiosk, Ticketing solutions.

**Take Out Pickup Pole Stands, Take Out Pickup Floor Stands:**

Food Delivery Pickup Stand, Food Delivery Pickup Stand Screen, Mobile Order Pick up Stand, Mobile Order Pick up shelves with screen. Pick up orders station, Pick up orders station screen, Online Order Pickup stand, Online Order Pickup shelves with screen, Digital Order Pickup stand, Digital Order Pickup Stand with Shelves and screen, To Go Order Pickup stand, To Go Order Pickup stand with Shelves and Screen, Food Delivery Pickup Stand Shelving, Food Delivery Pickup Stand with Shelves and Screen, Mobile Order Pick up Stand Shelving, Mobile Order Pick up Stand with Shelves and Screen.

**Digital Signage Pole Stands, Information Kiosk Floor Stands:**

Information directory stand, Information directory Kiosk, Information Kiosk Floor Stand, Information touchscreen stand, Self-service touchscreen stand, digital media player stand, Freestanding touch screen stand. Digital signage floor stand, Universal Kiosk Floor Stand, Touchscreen Kiosk, Interactive Kiosk, Digital Kiosk, Interactive Information Kiosk, Touch screen stand, Promotional Interactive Kiosk, Digital Signage floor stand, Freestanding Kiosk, Digital Signage Pole stand.

**Desk Top Multi-Screen Pedestal Stands:**

These are super heavy-duty systems that support up to four 32" screens with not one; but TWO cup holders, a nifty organizer tray, power outlet and dual USB changing ports, whoa!