

PQS

PRACTICAL QUALITY SYSTEMS

Fast Custom Manufacturing - Nationwide Installation Services



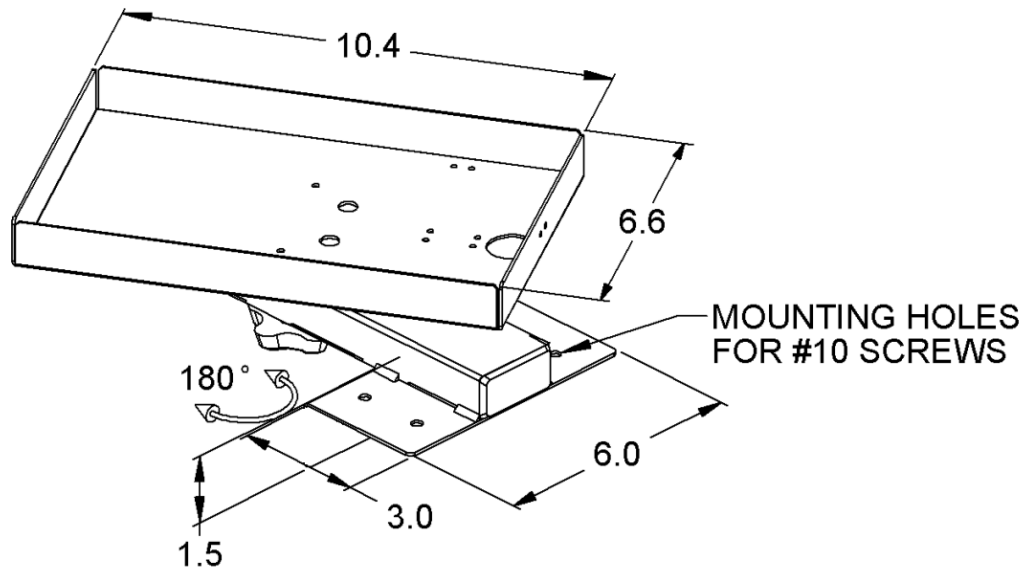
Printer not included

info@practicalqualitysystems.com

WWW.PRACTICALQUALITYSYSTEMS.COM

(818) 993-1022

ALL PRODUCTS PATENT PENDING



General Features

- This shelf edge mounts can be used as a universal printer support system for Point of Sale / POS, Kitchen Display Systems / KDS in commercial kitchens, retail, restaurants, offices, industry, shops, medical, maritime, schools, laboratory and many other applications.
- This assembly supports up to 25 lbs., the arm and mounting plate are made of stainless steel. The printer tray is made from steel and finished with a durable, black, semi-gloss, powder coat that resists fingerprints.
- Visit kitchendisplaysystems.com for a free, easy to understand tutorial that covers all aspects of Kitchen Display Systems knowledge!
- For more information on the individual components included in this package please refer to the assembly sketches in this document and the downloadable product information sheets available on our website for each of the product pages for each part number.

Partial List of compatible printers that will fit the interior dimensions of the Flat Printer Tray:

That measure: 6½" W X 10¼" L X 1" D.

Anser U2.

Brother QL 800, Brother PTP700.

Citizen CT-E351.

Clover P500, Clover Mini.

Custom America CT-E351.

Dymo LabelWriter 450, Dymo LabelWriter Wireless, Dymo LabelManager PnP.

Epson TM-T88V/VI, Epson TM- T20II, Epson TM - L90, EpsonTM-U220 Type B & D.

POS-X Evo HiSpeed.

Rollo Printer.

Sato FX3-LX, Sato WS2.

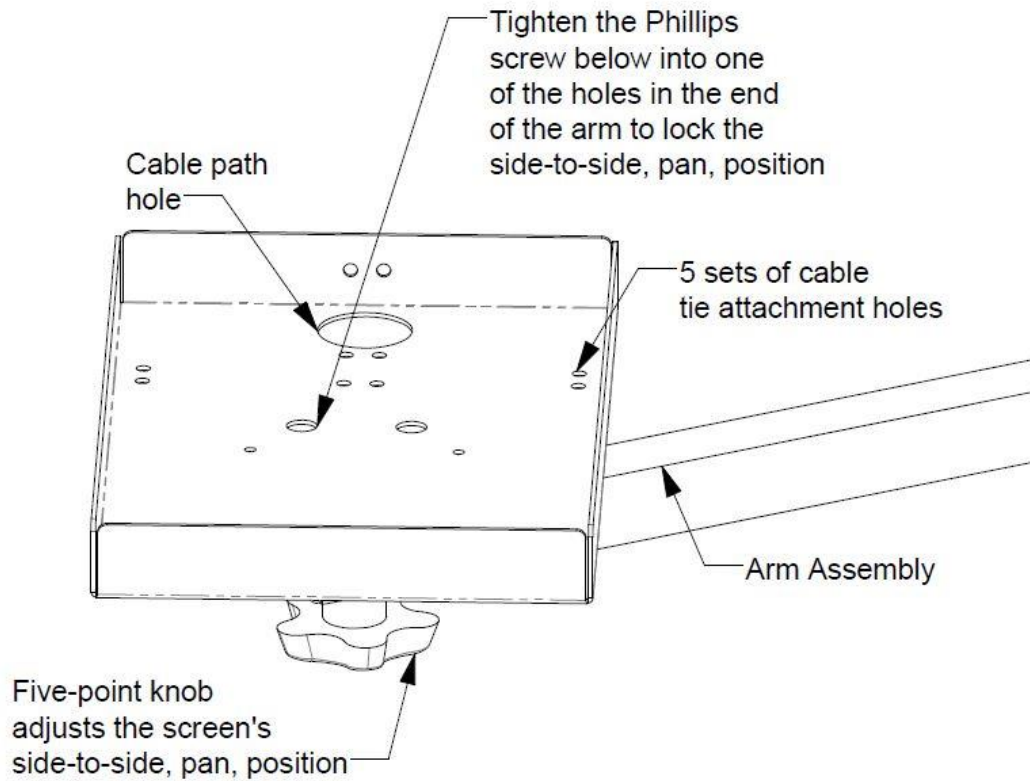
Square Terminal.

Star Micronics mC-Print3.

info@practicalqualitysystems.com

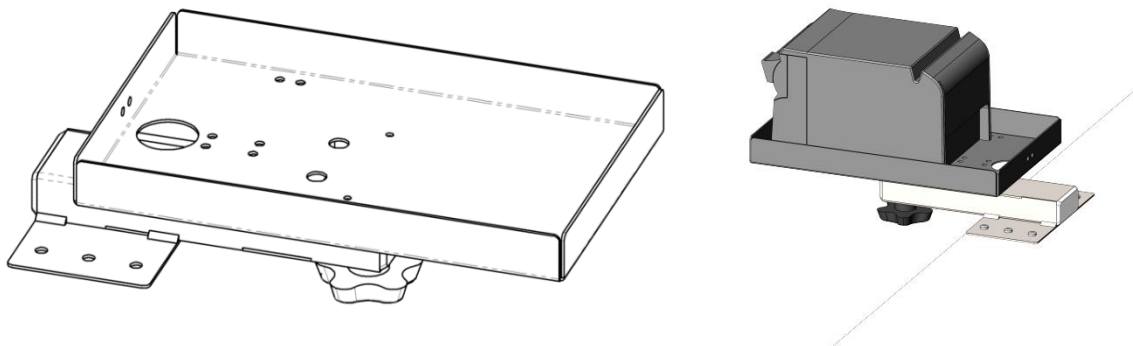
WWW.PRACTICALQUALITYSYSTEMS.COM

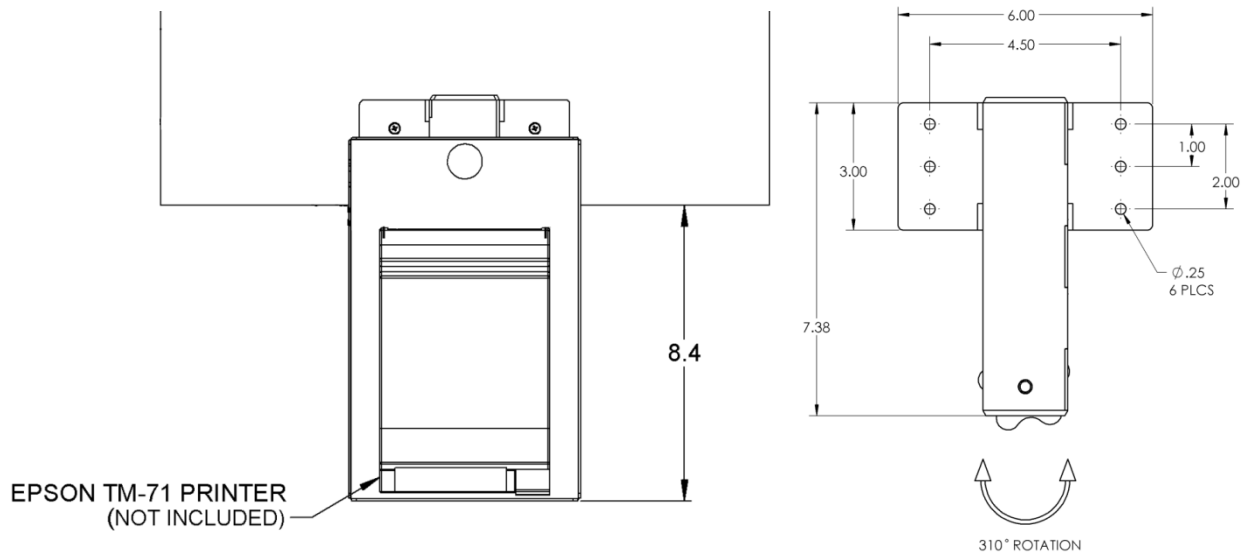
(818) 993-1022



Flat Printer Tray on a Fixed Arm

- A universal mount that works with most POS printers.
- The interior dimensions of the Flat Printer Tray are 6½" W X 10¼" L X 1" D.
- Includes a 1¼" diameter hole on one end for routing the power and data cables below the tray if desired.
- Includes multiple sets of tie point holes for inserting cable ties to secure the power and data cables if desired.
- Tightening the five-point knob below the end of the Arm applies variable resistance to allow adjustment of the side-to-side pan position of the Tray. A 10-32 Phillips head screw in one of the center holes can be tightened into one of the holes on the end of the arm to permanently secure the side-to-side pan position.





Locating a Screen or Printer mount and examining the range of Motion of the arm(s).

1.1 Cut a section of blue painter's tape that is the same width as the mounting plate and keep this handy.

1.2 Carefully Lift the mounting system, and place the mounting plate in contact with the mounting surface at the proposed mounting location; then consider if the location of the VESA pan and tilt head or printer tray are accessible; but also not creating any conflicts with other items in the work area. If the system has movable arm(s) move these through their entire range of motion and look for conflicts. If conflicts are found; adjust the proposed location of the mounting plate as needed. When the optimum location is discovered; apply the tape to the spot on the mounting surface.

1.3 An alternate method that can be used as an aid in determining the best location for screens or printers is to make a cardboard cut out that has been shaped to closely match the overall dimensions of the intended screen or printer tray. (In a pinch you can also use a tray or a pizza box as a stand in for a screen.) Use these cardboard models as stand in for the actual equipment to assist in demonstrating the best positions of screens or printers.

3.4 If the screen or printer is supported by an arm; locate the pivot points of the arm and then carefully guide the VESA head or printer tray horizontally through the entire range of movement to determine optimum location for the mounting plate. When this location is discovered; apply the tape to the spot on the mounting surface.

We believe in ethical SEO relevancy; the following section was included to assist the all-knowing algorithms in locating this page; however, some humans like it too.

Printer shelf bracket, printer shelf mount, printer shelf mount bracket, printer shelf mounting bracket, Printer shelf Tray, Printer Shelf, Kitchen printer, restaurant printer, POS printer, Point of Sale printer, Epson Printer shelf, Healthcare printer, Industrial printer, ID printer, Office printer, Manufacturing printer.

Interactive Catalog of Counter Top Mounts for POS Printers

These mounts are included in the ["Counter Top Mounts for POS Printers"](#) product group pages on our website.

For more information; click on the images or descriptions to visit the individual product pages on our website.

PDF Product Information Sheets are available at the Product Attachments tab on each product page.

[Practical Quality Systems Home Page](#)



[PN 80084 - Countertop Fixed Pedestal Mount with a 6" Riser, an 8" Arm, and a Flat Printer Tray](#)



[PN 80085 - Countertop Fixed Pedestal Mount with a 3" Riser, an 8" Arm, and a Flat Printer Tray](#)



[PN 80129 - Shelf Edge Mount with a 4" Stainless Steel Arm and Mounting Plate and a Flat Printer Tray](#)

Interactive Catalog of Product Sub Groups

There are many individual products included in the various product sub groups featured on these pages.

Click on the images or descriptions to visit the individual product sub group pages on our website.

For Information about individual products; click on the "Product Attachments" tab on each of the individual product pages.

[Practical Quality Systems Home Page](#)



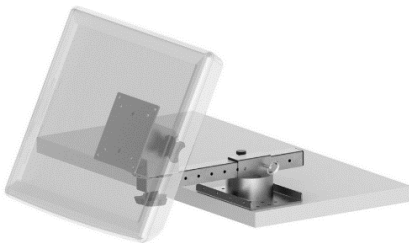
[Wall Mounts for Screens](#)



[Wall Mounts for POS Printers](#)



[Wall Mounts for Screens and POS Printers](#)



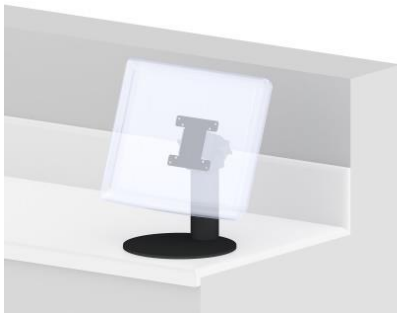
[Shelf Edge Mounts for Screens](#)



[Shelf Edge Mounts for POS Printers](#)



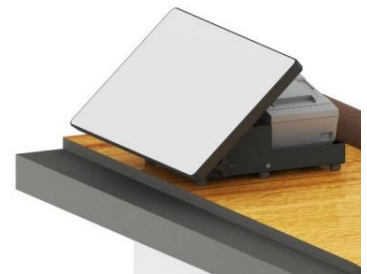
[Shelf Edge Mounts for Screens and POS Printers](#)



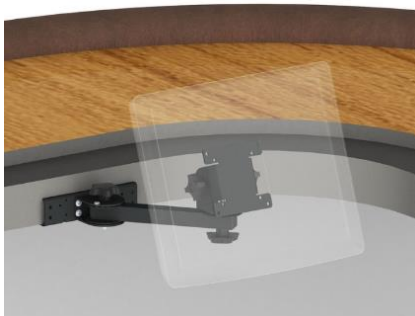
[Counter Top Mounts for Screens](#)



[Counter Top Mounts for POS Printers](#)



[Counter Top Mounts for Screens and POS Printers](#)



[Under Counter Mounts for Screens](#)



[Under Counter Mounts for POS Printers](#)



[Under Counter Mounts for Screens and POS Printers](#)

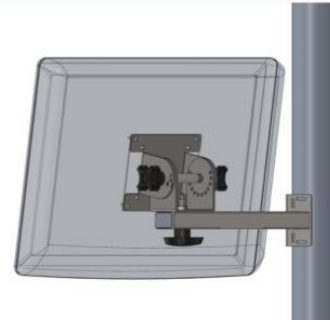
Interactive Catalog of Product Sub Groups

There are many individual products included in the various product sub groups featured on these pages.

Click on the images or descriptions to visit the individual product sub group pages on our website.

For Information about individual products; click on the "Product Attachments" tab on each of the individual product pages.

[Practical Quality Systems Home Page](#)



[Pole Mounts for Screens](#)



[Pole Mounts for POS Printers](#)



[Ceiling Mounts for Screens](#)



[Oracle MICROS Mounting Systems](#)



[NCR Aloha KDS Mounting Solutions](#)



[QSR KDS Mounting Solutions](#)



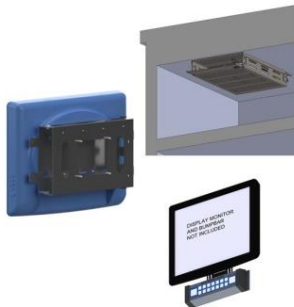
[Logic Controls Bematech KDS Mounting Solutions](#)



[Universal Kitchen Display System Mounting Packages](#)



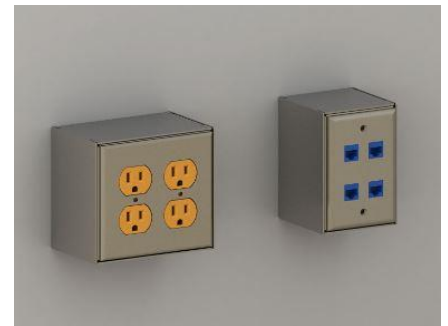
[Enclosures for Touchscreen, Monitors and Thin Clients](#)



[Back Of Screen VESA Mounts for Controllers, Thin Clients, Bump Bars, Tap+ Touch + EMV Readers](#)



[Stainless Steel Wireways](#)



[Stainless Steel Power and Data Outlet Monuments](#)

Interactive Catalog of Product Sub Groups

There are many individual products included in the various product sub groups featured on these pages.

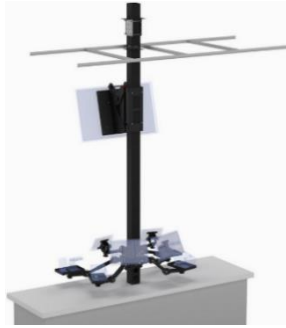
Click on the images or descriptions to visit the individual product sub group pages on our website.

For Information about individual products; click on the "Product Attachments" tab on each of the individual product pages.

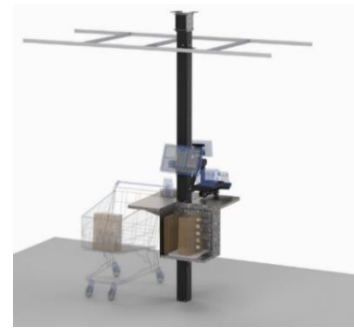
[Practical Quality Systems Home Page](#)



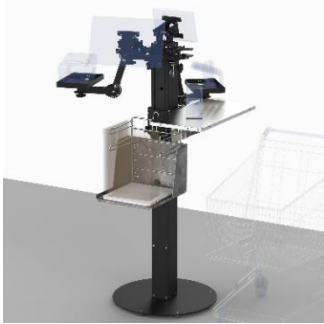
[Movable Countertop POS Stands](#)



[Direct Mount Countertop POS Stands](#)



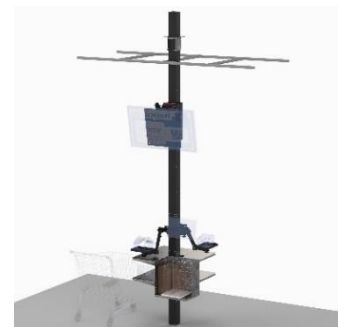
[POS Cashier Pole Stands](#)



[POS Cashier Floor Stands](#)



[POS Self-Check Out Kiosk Floor Stands](#)



[POS Self-Check Out Kiosk Pole Stands](#)



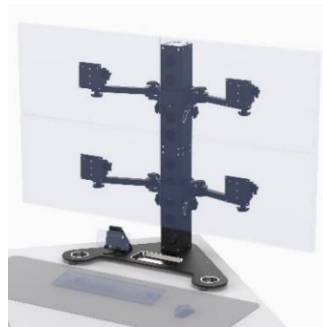
[Take Out Pickup Pole Stands](#)



[Take Out Pickup Floor Stands](#)



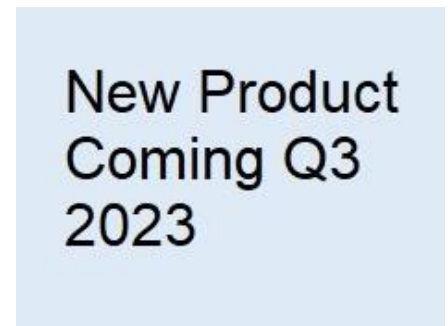
[Information Kiosk Floor Stands](#)



[Desktop Multi-Screen Pedestal Stands](#)



[4X4 Pole Clamp on Mounts](#)



[Mobile Cashier Stands](#)

Interactive Catalog of Product Sub Groups

There are many individual products included in the various product sub groups featured on these pages.

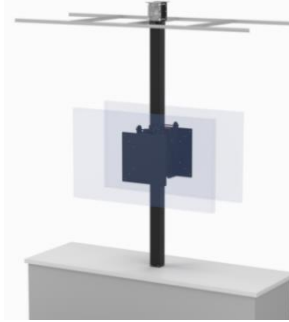
Click on the images or descriptions to visit the individual product sub group pages on our website.

For Information about individual products; click on the "Product Attachments" tab on each of the individual product pages.

[Practical Quality Systems Home Page](#)

New Product
Coming Q3
2023

Mobile Self-Check Out Stands



[Digital Signage Pole Stands](#)

New Product
Coming Q3
2023

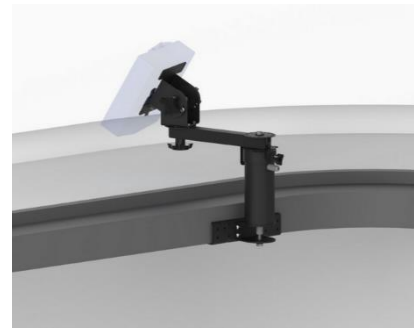
Stationary Podiums

New Product
Coming Q3
2023

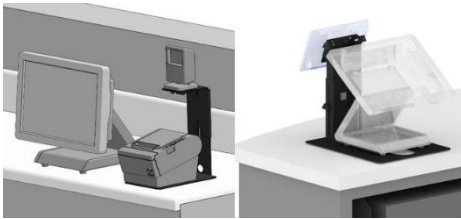
Stationary Podiums with Ceiling Feed Pole

New Product
Coming Q3
2023

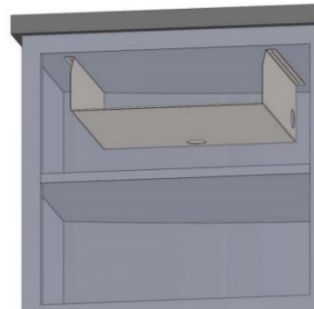
Mobile Podiums



[Ingenico Lane Reader Mounting Systems](#)



[Other Counter Top Mounts](#)



[Cash Drawer Mounting Solutions](#)