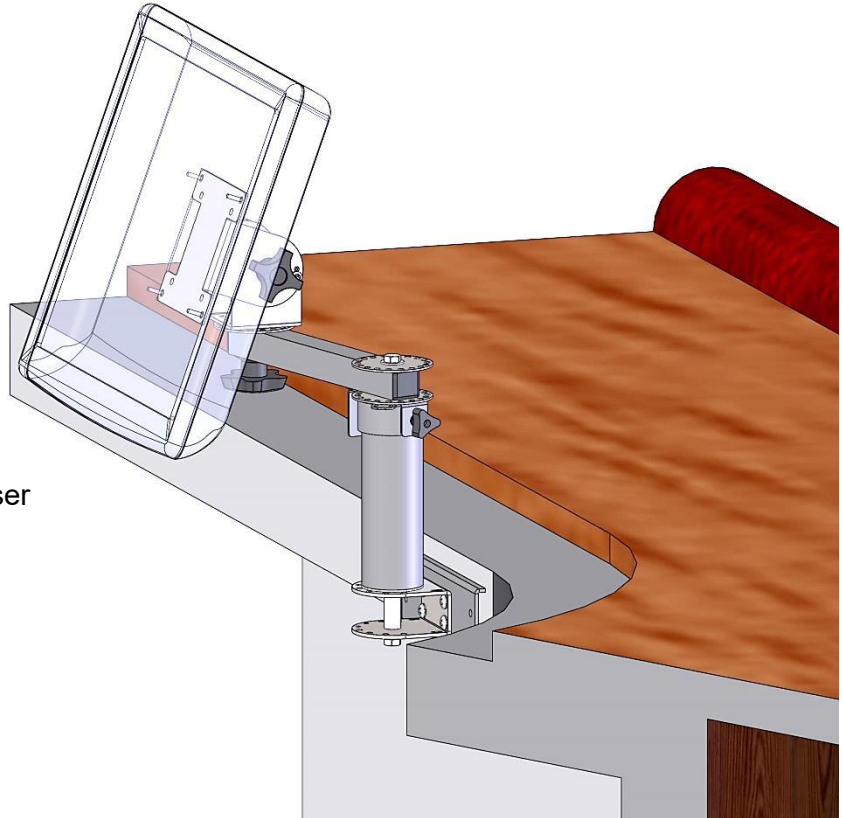


PQS

PRACTICAL QUALITY SYSTEMS
Fast Custom Manufacturing - Nationwide Installation Services



PN 80240 TOAST 6" Riser

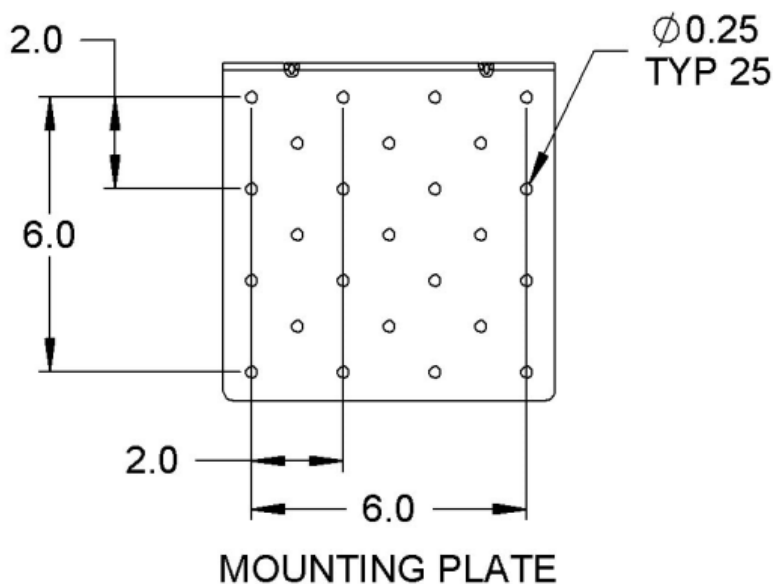


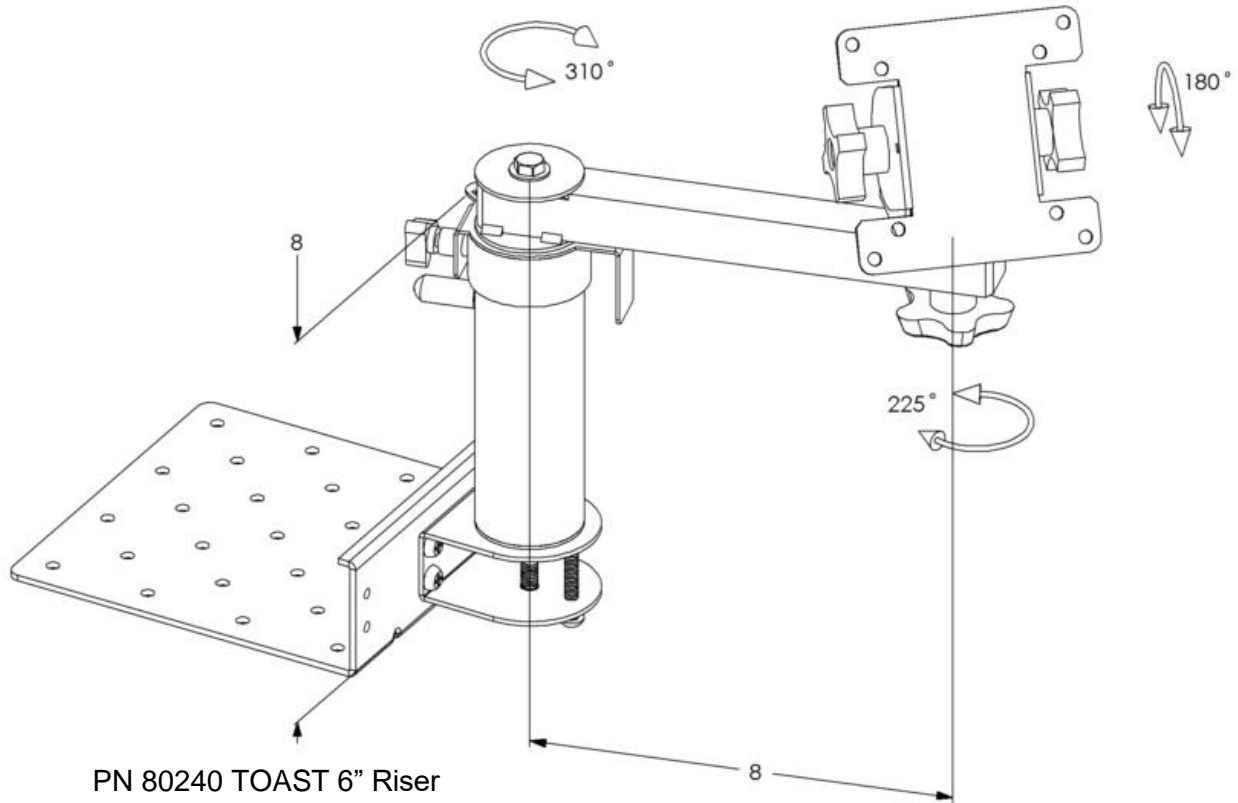
PN 80241 TOAST 3" Riser

Page	Table of Contents
1	Cover page
2	Table of Contents + Overview of TOAST compatible Terminal mounting systems+ mounting plate dimensions
3	PN 80240 TOAST Under counter mount General Features
4	Standard VESA 50, 75, 100mm Pan and Tilt Head on an Adjustable Arm
5	Riser, Riser Cap and Arm + partial list of compatible Toast and Elo terminals
6	Under counter Mounting Plate with Stand- off Bracket, Riser, Riser Cap and Arm
7	Tips for locating KDS or POS Screen Mounting Systems
8	Locating a Screen or Printer mount and examining the range of Motion of the arm(s).
9	Installation Tips - How to Attach the VESA Pan and Tilt Head assembly to the back of a screen
10	Interactive Catalog of Shelf Edge Mounts for POS Printers
11	Interactive Catalog of Product Sub Groups
12	Interactive Catalog of Product Sub Groups
13	Interactive Catalog of Product Sub Groups

Overview of TOAST compatible Terminal mounting systems

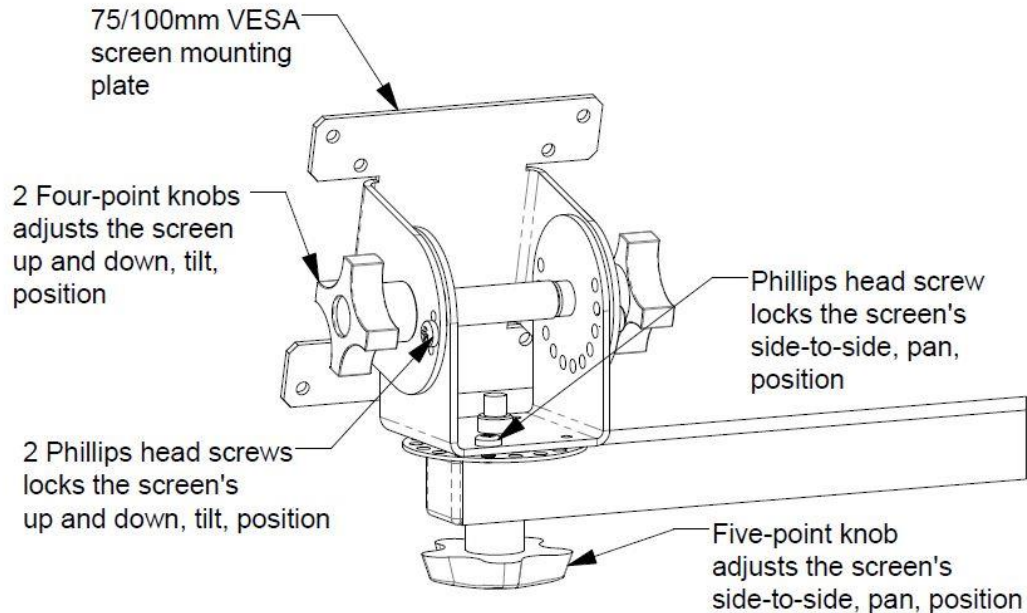
- Know that most of the terminal mounting systems available on our website are compatible with TOAST and Elo Terminals. The lists of specific mounting systems that are described as “compatible” were compiled as a convenient way to locate compatible mounts and simplify the selection process.
- This terminal mounting system is compatible with Toast, Elo and other terminals that feature the 50mm, 75mm and 100mm VESA mounting standard; many more systems are available for other mounting scenarios across a wide variety of environments.
- Custom product designs and custom product finish colors are available for quantity orders.
- If you are implementing a quantity of systems; know that we offer free systems design consultation; nationwide installation services are also available.
- [Toast Compatible Mounting Systems](#)





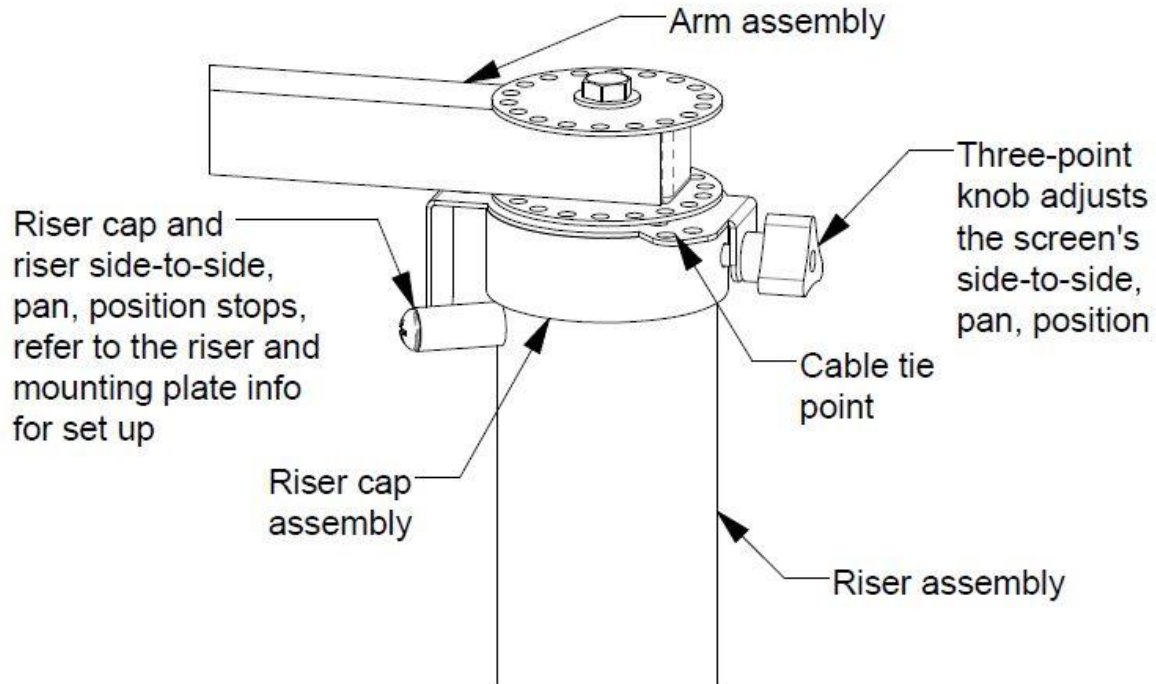
General Features

- This under counter mount can be used as a universal support system for all VESA compatible monitors, touchscreens and terminals for Point of Sale / POS, Kitchen Display Systems / KDS in commercial kitchens, retail, restaurants, offices, industry, shops, medical, maritime, schools, laboratory and many other applications.
- An innovative set of joint assemblies allow three axis of position adjustment on each arm when attached to the underside of a countertop or other horizontal surface.
- Beyond having flexible articulation; this mount has the key feature of being easily LOCKED in any desired screen position; this ability is VERY important when using touch screen equipment as it PREVENTS the screen from moving away from the user each time a touch is input.
- This arm of this assembly supports up to 15 lbs. This assembly is made of steel and is finished with a durable, black, low gloss, micro wrinkle powder coat that resists fingerprints.
- Visit kitchendisplay systems.com for a free, easy to understand tutorial that covers all aspects of Kitchen Display Systems knowledge!
- For more information on the individual components included in this package please refer to the assembly sketches in this document and the downloadable product information sheets available on our website for each of the product pages for each part number.



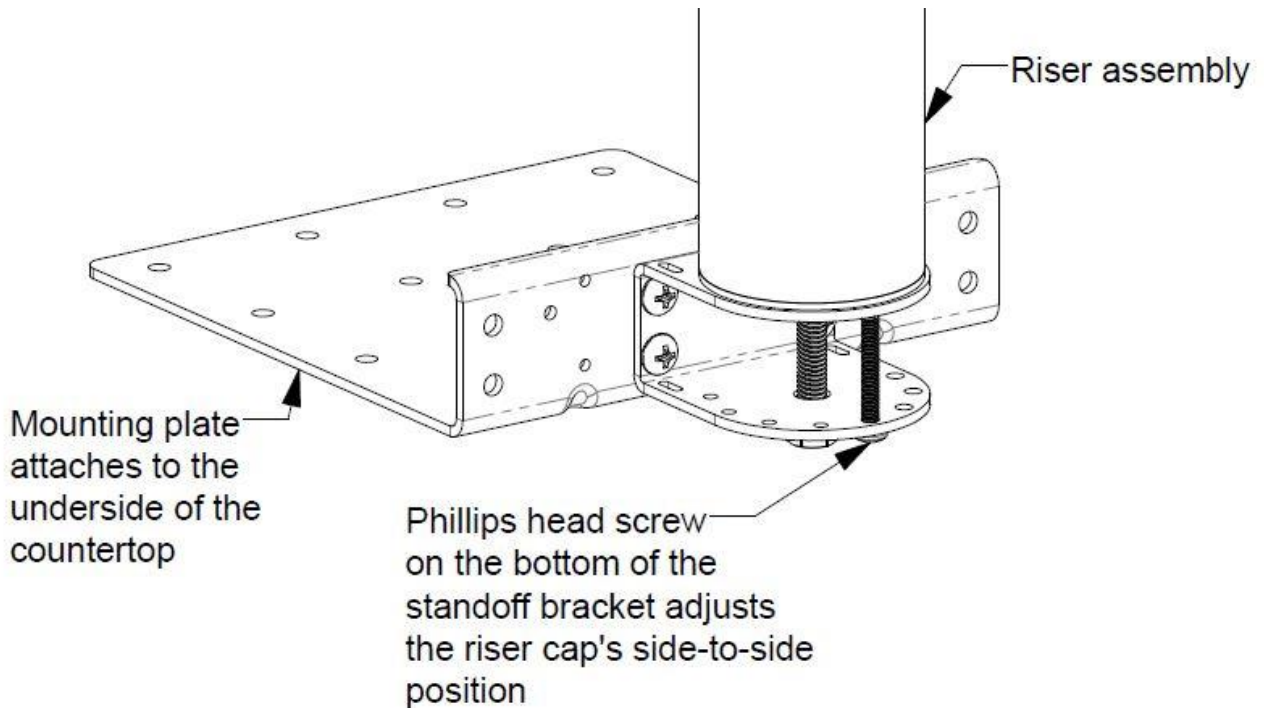
Standard VESA 75-100mm Pan and Tilt Head on an Adjustable Arm

- A universal mount that works with any 75mm or 100mm VESA compatible screen.
- Tightening the 2 four-point knobs applies variable clutching resistance to allow adjustment of the up and down tilt position of the screen. Tighten either of the two 10-32 Phillips head screws adjacent to the four-point knobs to permanently secure the tilt position.
- Tightening the five-point knob below the end of the Arm applies variable clutching resistance to allow adjustment of the side-to-side pan position of the screen.
- Tighten the 10-32 Phillips head screw on the lower Panning plate into one of the holes in the end of the arm to permanently secure the pan position.
- Includes 4 pieces of M4 Phillips head screws to attach the VESA mounting plate to the back of the screen.



Riser, Riser Cap and Arm

- The Riser Cap allows an arm to rotate around the top of a Riser assembly.
- Loosening the three - point knob on the side of the Riser Cap allows adjustment of the side-to-side pan position of the arm around the riser assembly. Tightening the knob locks the position of the arm.
- The Riser cap incorporates a cable tie point to secure the cables so that they will travel safely as the arm is rotated.
- The Riser Cap interacts with the Riser Cap Stop on the side of the Riser to prevent the arm from making a full rotation around the riser. Refer to the Riser and mounting plate section for instructions on setting the position of the Riser Cap Stop.



Under counter Mounting Plate with Stand off Bracket, Riser, Riser Cap and Arm

- The Riser section elevates the arm above the mounting surface and permits the screen pan and tilt head, or printer tray, to travel horizontally allowing a wide range of positioning options.
- Attach the mounting plate to the underside of the counter top or other flat horizontal surface with appropriate fasteners.
- Evaluate the side-to-side range of motion of the arm that are attached to the Riser Cap.
- The Riser Cap Stop prevents the Riser cap and arm from rotating a full 360 degrees around the Riser. It may be advantageous to relocate the stop position to optimize the side-to-side range of motion of the arm for your application.
- To reset the position of the Riser Cap Stop; Turn the mount so that you can access the bottom of the mounting plate, slightly loosen the 5/16-18 bolt with a 1/2" wrench, slightly loosen the 10-32 Phillips head riser lock screw on the underside of the mounting plate; carefully rotate the riser to locate the stop at the new desired position; then retighten the bolt and screw.
- The Riser Cap incorporates a cable tie point to secure the cables so that they will travel safely as the arms are rotated.



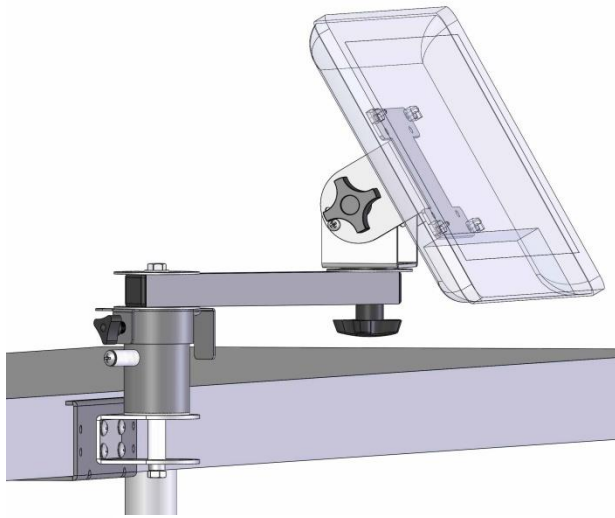
PN 80241 3" Riser

Installation Tips for Screen Mounting Systems

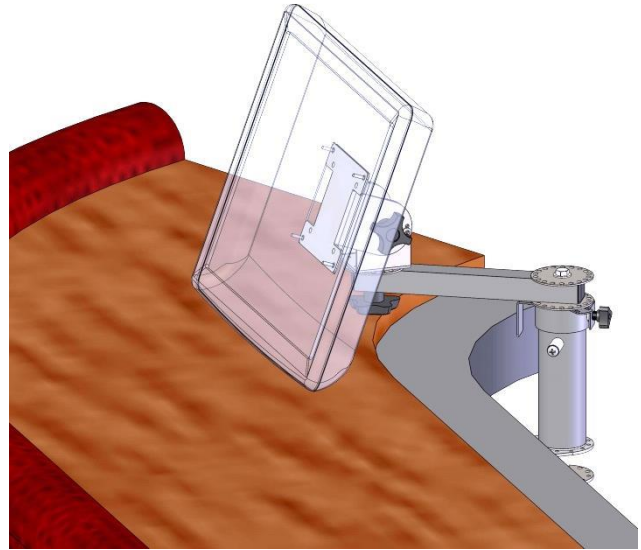
1. 1 Installation of this assembly must be performed by qualified persons.
- 1.2 Use fasteners that are appropriate for the materials and structure of the mounting surface.

Tips for locating KDS or POS Screen Mounting Systems

- 1.1 Care must be taken when locating KDS or POS Screens so that the display can be easily seen by the users (and in some cases touched); and also so that the screen does NOT block access to the pass through window or items such as ingredients, plates, microwaves, etc. that are located on the adjacent shelves.
- 1.2 As a general rule of thumb KDS and POS screens should be located to place the center of the display at, or just above, eye level.
- 1.3 Most KDS screens are supported by mounting systems that are attached directly to the edge of existing kitchen shelves above a production work station or expo area. POS Screens are most often attached to counter tops, Under counter, shelf edges or walls.
- 1.4 Conduct a careful survey of each POS station, Kitchen work station or expo area. Stand where the users will be standing at their work stations and consider all possible screen locations. Again ; the screens should be located where they are readily accessible; but also where they do not limit access to other important items in the work area.



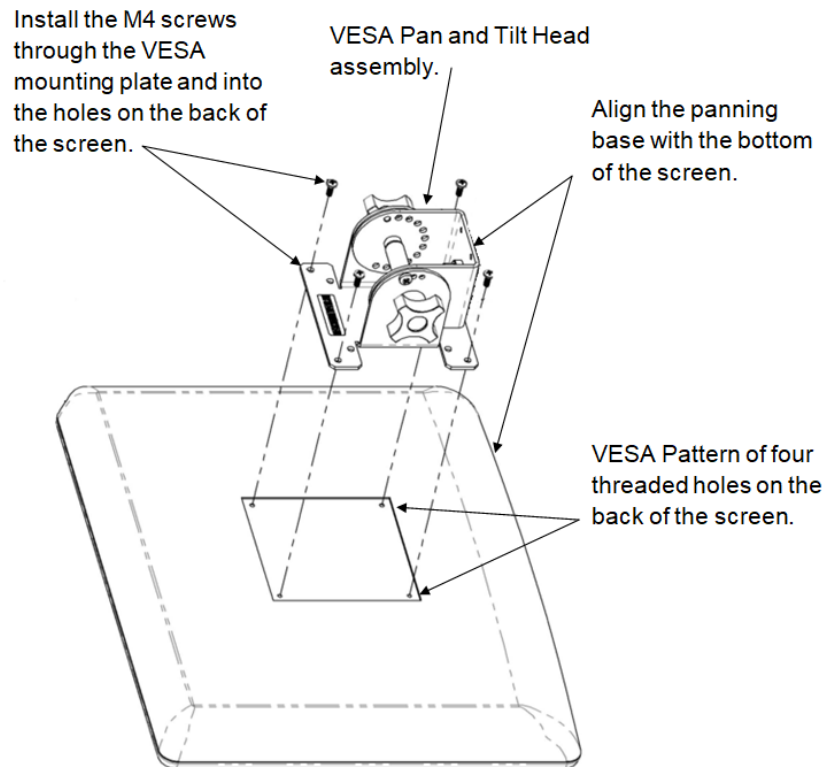
PN 80241 3" Riser



PN 80240 6" Riser

Locating a Screen or Printer mount and examining the range of Motion of the arm(s).

- 1.1 Cut a section of blue painter's tape that is the same width as the mounting plate and keep this handy.
- 1.2 Carefully Lift the mounting system, and place the mounting plate in contact with the mounting surface at the proposed mounting location; then consider if the location of the VESA pan and tilt head or printer tray are accessible; but also not creating any conflicts with other items in the work area. If the system has movable arm(s) move these through their entire range of motion and look for conflicts. If conflicts are found; adjust the proposed location of the mounting plate as needed. When the optimum location is discovered; apply the tape to the spot on the mounting surface.
- 1.3 An alternate method that can be used as an aid in determining the best location for screens or printers is to make a cardboard cut out that has been shaped to closely match the overall dimensions of the intended screen or printer tray. (In a pinch you can also use a tray or a pizza box as a stand in for a screen.) Use these cardboard models as stand in for the actual equipment to assist in demonstrating the best positions of screens or printers.
- 1.4 If the screen or printer is supported by an arm; locate the pivot points of the arm and then carefully guide the VESA head or printer tray horizontally through the entire range of movement to determine optimum location for the mounting plate. When this location is discovered; apply the tape to the spot on the mounting surface.



Installation Tips - How to Attach the VESA Pan and Tilt Head assembly to the back of a screen:

1. Lay the screen face down on a flat, smooth surface.
2. Hold the VESA Pan and Tilt Head assembly securely, remove the five-point hand knob, lift off the VESA Pan and Tilt Head assembly, and remove the rubber clutch washer from the top of the end of the arm.
3. Orient the flat bottom of the panning base of the VESA Pan and Tilt Head assembly with the bottom of the screen.
4. Set the VESA Pan and Tilt Head assembly with the VESA mounting plate facing down on the back of the screen.
4. Align the square pattern of either 75mm or 100mm spaced holes in the VESA mounting plate with the pattern of four tapped holes on the back of the screen.
5. Carefully install the four supplied M4 screws through the holes in the VESA mounting plate and into the tapped holes on the back of the screen.

This mounting system is compatible with the following Toast and Elo terminals:

Toast Terminal, Toast Flex POS 14, Toast Flex for Guest 8, Elo Guest-Facing Display, Toast Flex for Kitchen 14, Toast Flex for Kitchen 22, Toast Kitchen Display System, Toast KDS 14, Toast KDS 22, Toast Kiosk 22, Elo I-Series Terminals, Elo E-Series Terminals, Elo 90-Series Terminals, Elo Kitchen Display System, Elo KDS, Elo POS Terminals, Elo Medical Screens, Elo Touchscreens, Elo Interactive Displays

We believe in ethical SEO relevancy; the following section was included to assist the all-knowing algorithms in locating this page; however, some humans like it too.

Wall Mounts for Toast Terminals, Wall Mounts for Epson Terminals, Shelf edge mounts for Toast Terminals, Shelf edge mounts for Elo Terminals, Pole mounts for Toast Terminals, Pole mounts for Elo Terminals, Under counter mounts for Toast Terminals, Under counter mounts for Elo Terminals, Counter top mounts for Toast Terminals, Counter top mounts for Elo Terminals, Ceiling Mounts for Toast Terminals, Ceiling Mounts for Elo Terminals, Floor stands for Toast printers, Floor stands for Elo Terminals, Pole stands for Toast Terminals, Pole stands for Elo Terminals, Kiosks for Toast Terminals, Kiosks for Elo Terminals.

Interactive Catalog of Product Sub Groups

Click on the images or descriptions to visit the individual product sub group pages on our website.

For Information about individual products; click on the "Product Attachments" tab on each of the individual product pages.

[Practical Quality Systems Home Page](#)



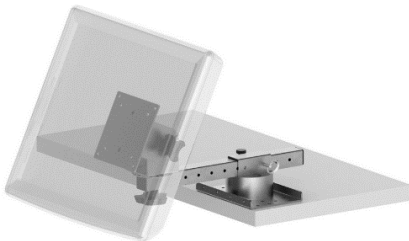
[Wall Mounts for Screens](#)



[Wall Mounts for POS Printers](#)



[Wall Mounts for Screens and POS Printers](#)



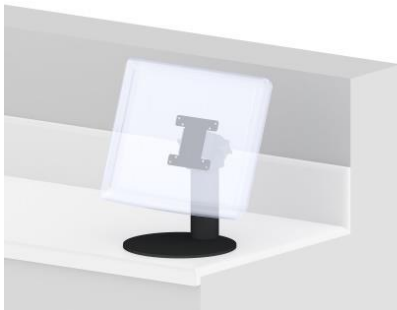
[Shelf Edge Mounts for Screens](#)



[Shelf Edge Mounts for POS Printers](#)



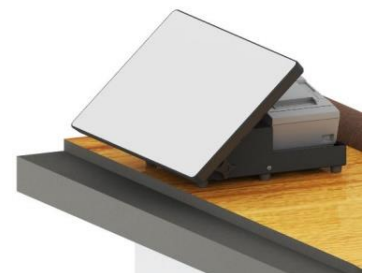
[Shelf Edge Mounts for Screens and POS Printers](#)



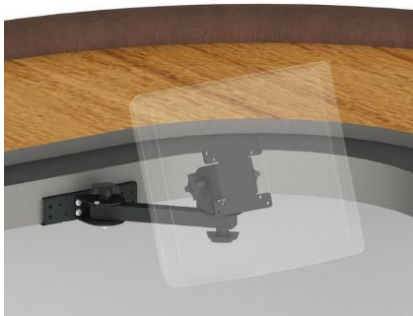
[Counter Top Mounts for Screens](#)



[Counter Top Mounts for POS Printers](#)



[Counter Top Mounts for Screens and POS Printers](#)



[Under Counter Mounts for Screens](#)



[Under Counter Mounts for POS Printers](#)



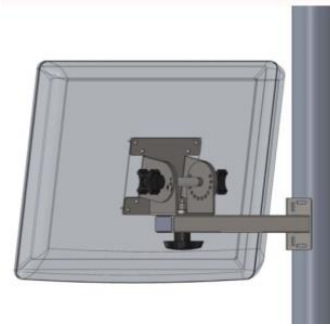
[Under Counter Mounts for Screens and POS Printers](#)

Interactive Catalog of Product Sub Groups

Click on the images or descriptions to visit the individual product sub group pages on our website.

For Information about individual products; click on the "Product Attachments" tab on each of the individual product pages.

[Practical Quality Systems Home Page](#)



[Pole Mounts for Screens](#)



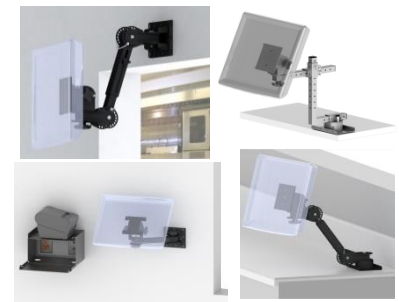
[Pole Mounts for POS Printers](#)



[Ceiling Mounts for Screens](#)



[Oracle MICROS Mounting Systems](#)



[Toast Compatible Mounting Systems](#)



[Logic Controls Bematech KDS Mounting Solutions](#)



[NCR Aloha KDS Mounting Solutions](#)



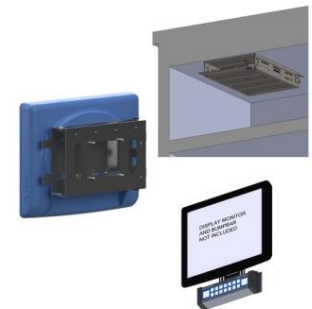
[QSR KDS Mounting Solutions](#)



[Universal Kitchen Display System Mounting Packages](#)



[Enclosures for Touchscreen, Monitors and Thin Clients](#)



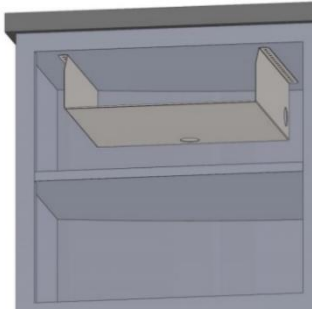
[Back Of Screen VESA Mounts for Controllers, Thin Clients, Bump Bars, Tap+ Touch + EMV Readers](#)

Interactive Catalog of Product Sub Groups

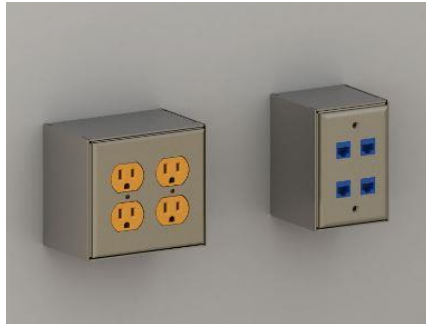
Click on the images or descriptions to visit the individual product sub group pages on our website.

For Information about individual products; click on the "Product Attachments" tab on each of the individual product pages.

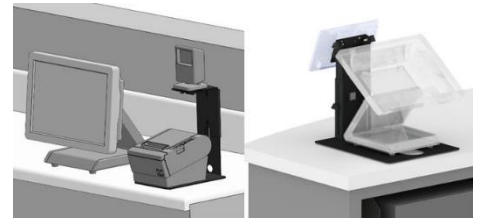
[Practical Quality Systems Home Page](#)



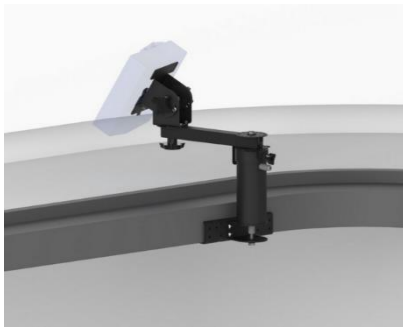
[Cash Drawer Mounting Solutions](#)



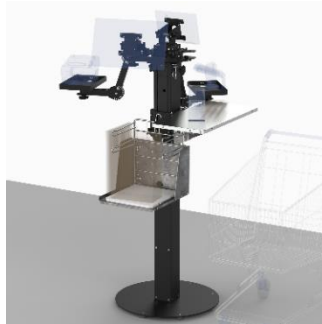
[Stainless Steel Power and Data Outlet Monuments](#)



[Other Counter Top Mounts](#)



[Ingenico Lane Reader Mounting Systems](#)



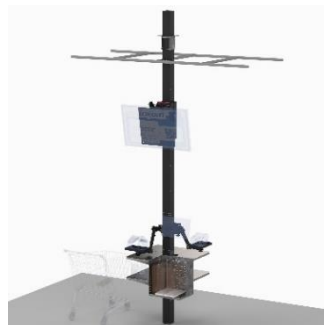
[POS Cashier Floor Stands](#)



[Movable Countertop POS Stands](#)



[POS Self-Check Out Kiosk Floor](#)



[POS Self-Check Out Kiosk Pole](#)



[Take Out Pickup Pole Stands](#)



[Take Out Pickup Floor Stands](#)



[Information Kiosk Floor Stands](#)



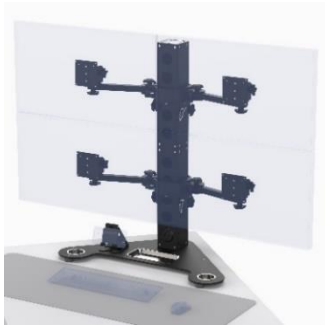
[4X4 Pole Clamp on Mounts](#)

Interactive Catalog of Product Sub Groups

Click on the images or descriptions to visit the individual product sub group pages on our website.

For Information about individual products; click on the "Product Attachments" tab on each of the individual product pages.

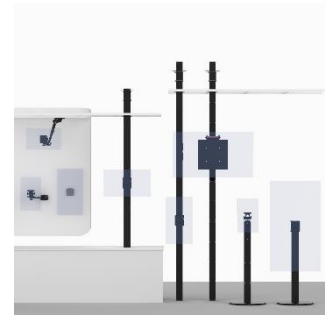
[Practical Quality Systems Home Page](#)



[Desktop Multi-Screen Pedestal Stands](#)



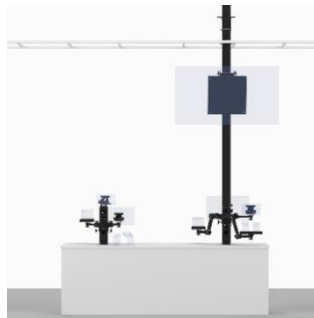
[Mobile Cashier Stands](#)



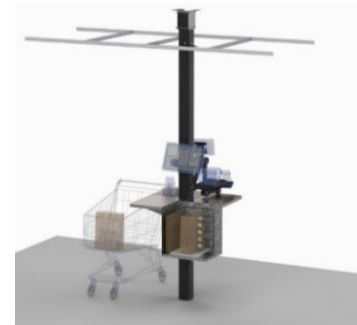
[Digital Signage Pole Stands](#)



[Mobile Self-Check Out Stands](#)



[Direct Mount Countertop POS Stands](#)



[POS Cashier Pole Stands](#)



[Mobile Podiums](#)



[Stationary Podiums with Ceiling Feed Pole](#)



[Stationary Podiums](#)



[Stainless Steel Wireways](#)



[Self-Check Out Kiosk Floor Stands with Cabinet](#)



24X24 Kiosk Cabinet - Podium Accessories , 4X4 Pedestal-Pole Accessories