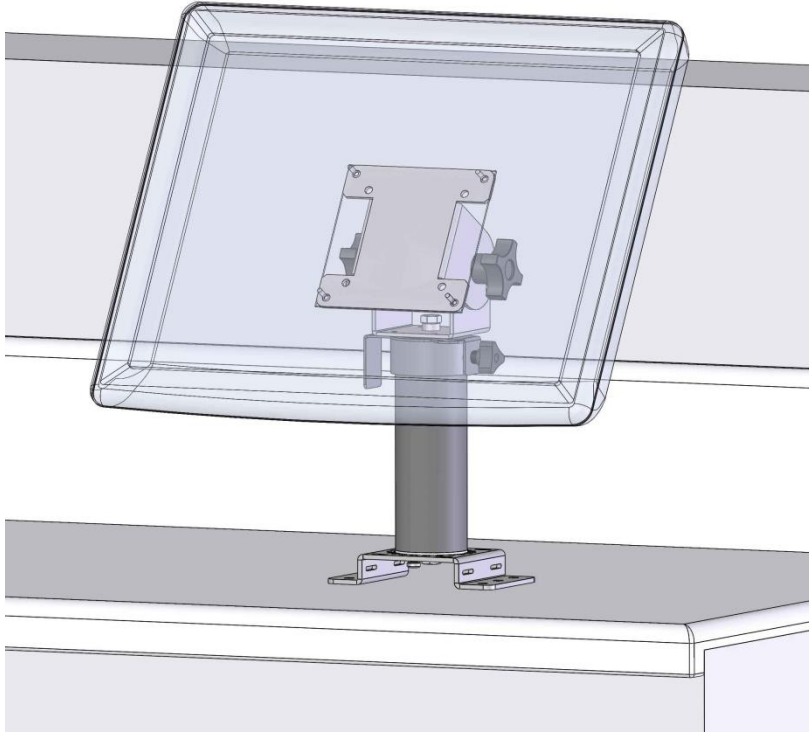
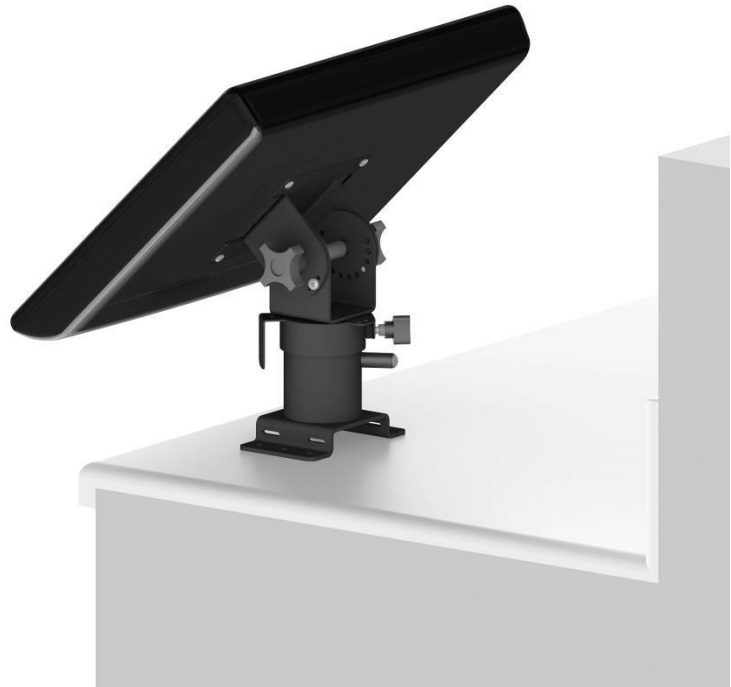


# PQS

**PRACTICAL QUALITY SYSTEMS**  
*Fast Custom Manufacturing - Nationwide Installation Services*



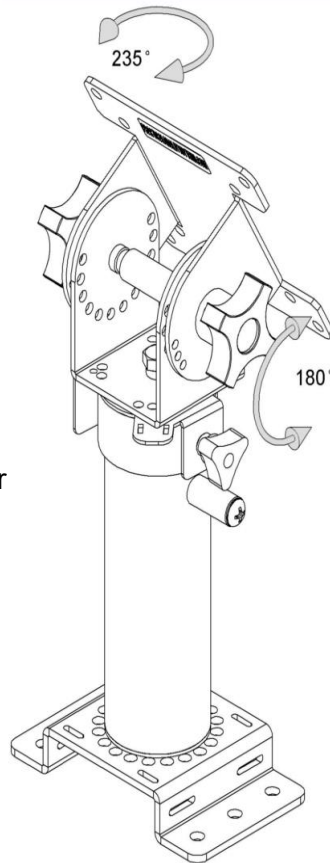
PN 80100 6" Riser



PN 80101 3" Riser

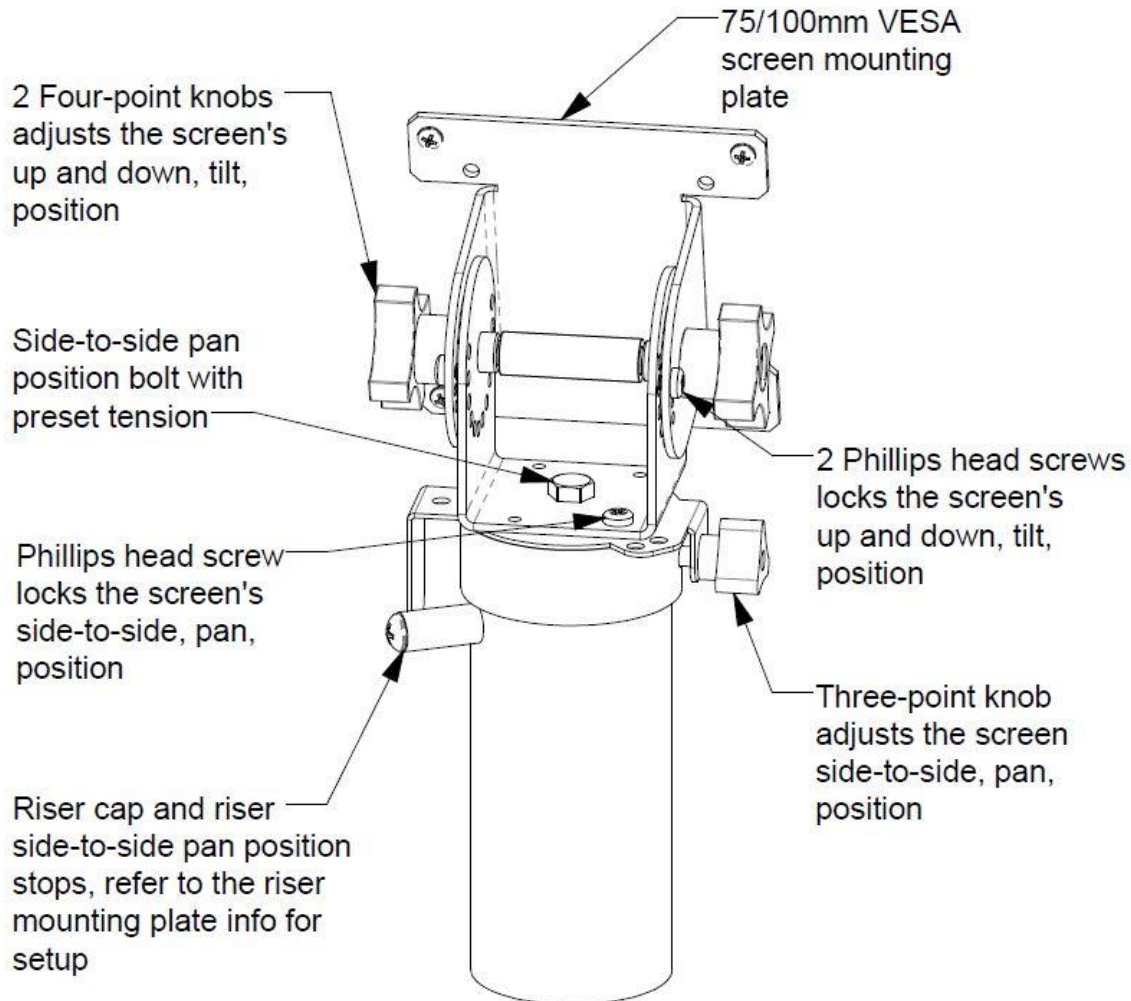
Screen not included

PN 80100 6" Riser



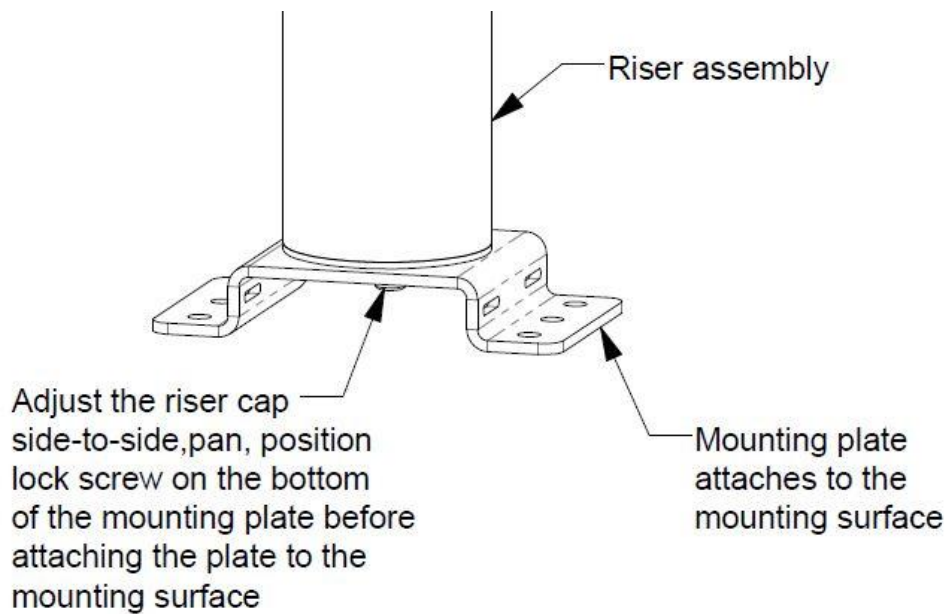
### General Features

- Both of these Countertop mounts can be used as a universal support system for VESA compatible monitors, touchscreens and terminals for Point of Sale / POS, Kitchen Display Systems / KDS in commercial kitchens, retail, restaurants, offices, industry, shops, medical, maritime, schools, laboratory and many other applications.
- An innovative set of joint assemblies allow two axis of position adjustment when attached to a Countertop or other horizontal surface.
- Beyond having flexible articulation; this mount has the key feature of being easily LOCKED in any desired screen position; this ability is VERY important when using touch screen equipment as it PREVENTS the screen from moving away from the user each time a touch is input.
- This assembly supports up to 15 lbs., is made of steel and finished with a durable, black, semi-gloss, powder coat that resists fingerprints.
- Visit [kitchendisplaysystems.com](http://kitchendisplaysystems.com) for a free, easy to understand tutorial that covers all aspects of Kitchen Display Systems knowledge!
- For more information on the individual components included in this package please refer to the assembly sketches in this document and the downloadable product information sheets available on our website for each of the product pages for each part number.



### Standard VESA 75/100mm Pan and Tilt Head on a Riser Cap

- A universal mount that works with any 75mm or 100mm VESA compatible screen.
- Tightening the 2 four-point knobs applies variable clutching resistance to allow adjustment of the up and down tilt position of the screen. Tighten either of the two 10-32 Phillips head screws adjacent to the four-point knobs to permanently secure the tilt position of the screen.
- Tightening the three - point knob on the side of the Riser Cap applies variable resistance to allow adjustment of the side-to-side pan position of the screen. The stop of the Riser Cap interacts with the Riser Cap Stop on the side of the riser to prevent the arm from making a full revolution around the riser. Refer to the Riser section for instructions on setting the position of the Riser Cap Stop.
- Includes 4 pieces of M4 Phillips head screws to attach the VESA mounting plate to the back of the screen.

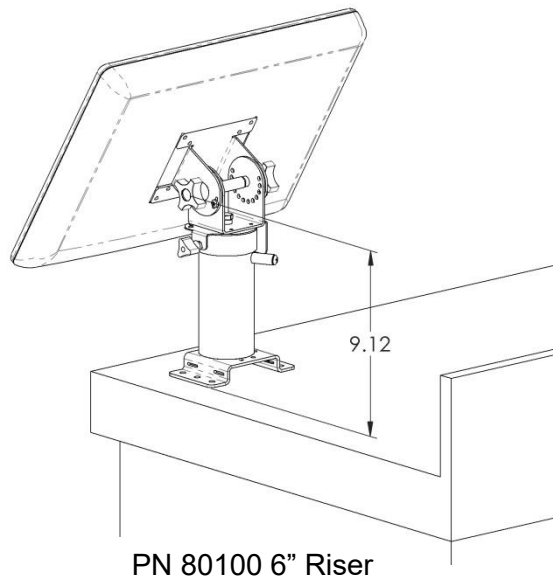


### Single Countertop Mounting Plate with a Riser, Riser Cap and a VESA Pan and Tilt Head

- The Riser elevates the VESA pan and Tilt head above the mounting surface.
- Before attaching the mounting plate to the countertop with appropriate fasteners; evaluate the side-to-side Pan range of motion of the VESA head that is attached to the Riser Cap.
- The Riser Cap Stop prevents the Riser cap and VESA head from rotating a full 360 degrees around the Riser. It may be advantageous to relocate the stop position to optimize the side-to-side range of motion of the VESA head for your application.
- To reset the position of the Riser Cap Stop; Turn the mount so that you can access the bottom of the mounting plate, slightly loosen the 5/16-18 bolt with a 1/2" wrench, slightly loosen the 10-32 Phillips head riser lock screw on the underside of the mounting plate; carefully rotate the riser to locate the stop at the new desired position; then retighten the bolt and screw.

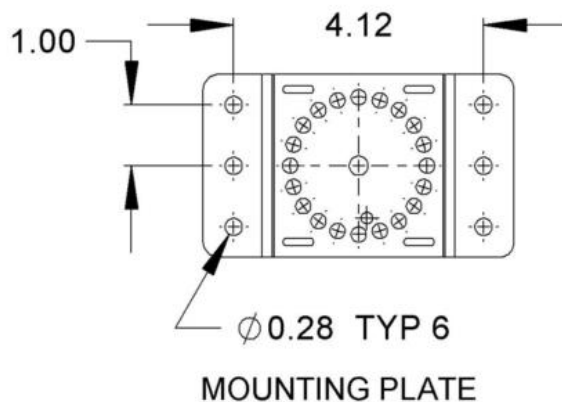
### Partial list of Compatible Touchscreen Monitors

- elo Touchscreen Monitor 0702L, 1002L, 1302L, 1502L, 2002L, 2202L, 2201L, 2402L, 2702L, 1515L, 1517L, 1523L, 1715L, 1717L, 1723L, 1902L, 1915L.
- elo Touchscreen Monitor Medical Grade 1903LM, 2203LM 22", 2403LM 24", 2703LM 27".
- Viewsonic Touch screens TD3207, TD1630-3, TD2223, TD2230, TD2423, TD2430, TD2760.
- Beetrionics Inc. touchscreens 7TS7M, 8TSV7M, 10TS7, 10TSV7M, 10TS7M, 12TS7, 12TSV7M, 12TS7M, 13TS7, 13TS7M, 15TS7, 15TSV7M, 15TS7M, 17TSV7M, 17TS7M, 19TSV7M, 19TS7M, 22TS7M, 24TS7M.
- Planar Touch Screen Monitors Helium PCT2265, PT2245PW, Helium PCT2235, PXL2230MW, PT1945P, PT1945R, PT1745P, PT1545P, PT1545R.



**We believe in ethical SEO relevancy; the following section was included to assist the all-knowing algorithms in locating this page; however, some humans like it too.**

- VESA counter top mount, VESA countertop mounting bracket, VESA countertop mount bracket, Screen countertop mount, screen countertop mounting bracket, screen countertop mount bracket.
- Monitor countertop mount, monitor countertop mounting bracket, monitor countertop mount bracket, POS terminal countertop mount, POS terminal countertop mounting bracket, POS terminal countertop mount bracket.
- Point of Sale POS terminal countertop mount, Point of Sale terminal countertop mounting bracket, Point of Sale terminal countertop mount bracket, KDS countertop mount, KDS countertop mounting bracket, KDS countertop mount bracket, Kitchen Display System countertop mount.
- Kitchen Display System countertop mounting bracket, Kitchen Display System countertop mount bracket, Kitchen production System countertop mount, Kitchen Monitor countertop mount.
- Kitchen video countertop mount. Touchscreen counter top mount, All in One PC counter top mount, Healthcare monitor counter top mount, Industrial process monitor counter top mount, Kiosk counter top mount, Office monitor countertop mount, manufacturing process monitor countertop mount.



**Partial list of Compatible Touchscreen Computers, Interactive displays, All-in-One PCs**

- elo Touchscreen Computer and Interactive displays 10-inch I-Series 4 for Android E389883, E411266, E390647, E411643.
- elo Touchscreen Computer and Interactive displays 15-inch I-Series 4 for Android E390075, E412033, E391032, E412421.
- elo Touchscreen Computer and Interactive displays 22-inch I-Series 4 for Android E390263, E412818, E391414, E413211.
- elo Touchscreen Computer and Interactive displays 15-inch I-Series for Windows (2.0) E691852, E692048, E850204, E850003, E692244, E692448.
- elo Touchscreen Computer and Interactive displays 22-inch I-Series for Windows (2.0) E692640, E692837, E850591, E850387, E693022, E693211.
- elo 15-inch (4:3) EloPOS Systems E931330, E931524, E590979, E494164, E587032, E931706, E931896, E590570, E494361, E932090, E932274, E407443, E485078, E590763.
- elo 15-inch (16:9) EloPOS Systems E440439, E440234, E397891, E441010, E440808, E441385, E441193, E441781, E441575, E262258, E397698, E263402, E442161, E441968, E442550, E442365, E892954, E841559, E877703, E892761, E935572, E935367, E841357, E395937, E935967, E935775, E407627, E880567, E396134, E727037, E936365, E936163, E936750, E936556, E536624, E939305, E939498.
- elo 17-inch (5:4) EloPOS Systems E402183, E401992, E485278, E484096, E491271, E402576, E402382, E484495, E484291, E491458, E402963, E402781, E484700, E484896.
- 22-inch EloPOS Systems E937154, E936953, E413988, E414192, E511988, E937523, E937340, E612017, E375459, E410884, E910541, E397507, E511785, E937919, E937720, E938297, E938113, E560404, E417915.
- Dell All-in-one OptiPlex 3290, OptiPlex 3090, OptiPlex 7490, OptiPlex 7780, OptiPlex 5480, OptiPlex 5490, Inspiron 24 5000, Inspiron 27 7000.
- HP, HP Chromebase, Envy, AIO, Pavilion, Office 365, All-in-One - 2Z1Z3AV\_1, 20W72AA#ABA, 20W60AA#ABA, 3UQ98AA#ABA, 20W59AA#ABA, 20W58AA#ABA, 3UR17AA#ABA, 20W57AA#ABA, 10M73AV\_1, 8AJ56AV\_1, 3UR10AA#ABA, 20W66AA#ABA, 3UQ97AA#ABA, 22\_AiO\_O365P\_Kit, 3UQ96AA#ABA, 8AJ03AV\_1, 3UR18AA#ABA, 3UR02AA#ABA.
- Lenovo IdeaCentre, ThinkCentre F0E5002DUS, F0FQ0008US, F0EX0001US, F0FB001RUS, F0FB0077US, F0FB007FUS.
- Cybernet iOne S24, iOne S22, iOne S20, iOne S19.

**This screen mounting system is compatible with the following POS systems**

- Lightspeed, logic controls, NCR, elotouch, posiflex, Poster POS, ehopper, Beetrionics, Tysso, favpng, Touch Dynamic, FastSpring, CAKE, Erply, Sapaad, Upserve, Salesforce Commerce Cloud, Block, Miva Merchant, Epos Now, QuickBooks POS, Shopify, VEND, Revel, Clover, CovaPOS, Oracle NETSUITE, MICROS, GoDaddy, Helcim, Epos Now, Upserve POS, Elo, CardConnect, NCR, ALOHA, SQUARE, Posnation, KORONA POS, BEMETECH, toast, Touchbistro, LAVU, Partnertech.

### Interactive Catalog of Counter Top Mounts for Screens

These mounts are included in the ["Counter Top Mounts for Screens"](#) product group pages on our website. For more information; click on the images or descriptions to visit the individual product pages on our website.

PDF Product Information Sheets are available at the Product Attachments tab on each product page.

[Practical Quality Systems Home Page](#)



[PN 80080 - Pedestal Mount with a 6" Riser + 8" arm + a 75/100mm VESA Screen Pan and Tilt Head](#)



[PN 80081 - Pedestal Mount with a 3" Riser + an 8" arm + 75/100mm VESA Screen Pan and Tilt Head](#)



[PN 80089 - Countertop Fixed Pedestal Mount with two 6" Risers + two 8" arms + two 75/100mm VESA Screen Pan and Tilt Heads](#)



[PN 80090 - Podium Telescoping Pedestal Mount](#)



[PN 80100 - Countertop Fixed Pedestal Mount with a 6" Riser + 75/100mm VESA Screen Pan and Tilt Head](#)



[PN 80101 - Countertop Fixed Pedestal Mount with a 3" Riser + 75/100mm VESA Screen Pan and Tilt Head](#)



[PN 80102 - 7 axis counter top mount with 8 inch extendable arm + biased pan and tilt head](#)



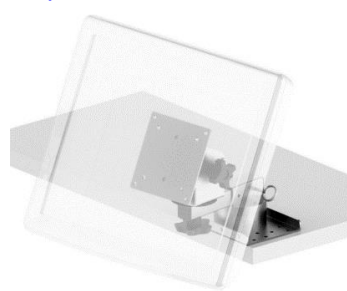
[PN 80102-20 - 7 axis counter top mount with 20 inch extendable arm + biased pan and tilt head](#)



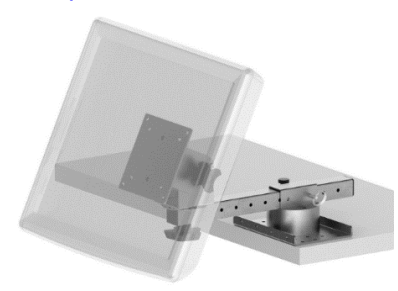
[PN 80102-26 - 7 axis counter top mount with 26 inch extendable arm + biased pan and tilt head](#)



[PN 80105 - 5 Axis Counter Top Mount with a 15" Arm + a Panning Mounting Plate + a VESA Pan & Tilt Head](#)



[PN 80112-CH - Shelf Edge Mount with Panning mounting Plate + Adjustable Short Arm + Biased VESA Pan and Tilt Head](#)



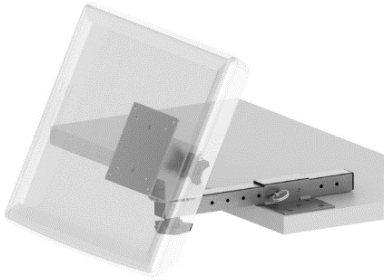
[PN 80113-CH - Shelf Edge Mount with a long Adjustable Arm + a Panning Mounting Plate + a Biased 75/100mm VESA Pan & Tilt Head \(Chrome\)](#)

### Interactive Catalog of Counter Top Mounts for Screens

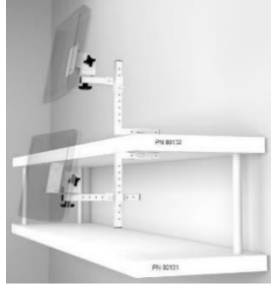
These mounts are included in the ["Counter Top Mounts for Screens"](#) product group pages on our website. For more information; click on the images or descriptions to visit the individual product pages on our website.

PDF Product Information Sheets are available at the Product Attachments tab on each product page.

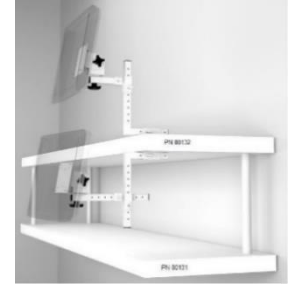
[Practical Quality Systems Home Page](#)



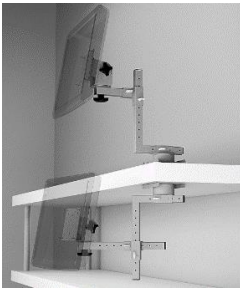
[PN 80117 - Shelf Edge Mount with Fixed Mounting Plate + Adjustable Long Arm + Bias VESA Pan and Tilt Head](#)



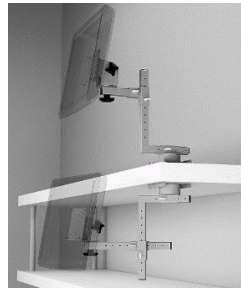
[PN 80131 - Over/Under Shelf Edge Mount or Counter Top Mount with Long Extension Arm](#)



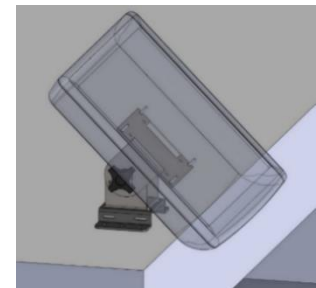
[PN 80132 - Over/Under Shelf edge mount or Counter top mount with short extension arm](#)



[PN 80135-CH - Over/Under Shelf or Counter with Panning Plate Mount and Long Extension Arm](#)



[PN 80136-CH - Over/Under Shelf or Counter with Panning Plate Mount Short Extension Arm](#)



[PN 80140 - Low Profile Tilting Mount with a 75/100mm Screen Pan and Tilt Head](#)



[PN 80177 - VESA Screen Tandem Counter Top Stand](#)



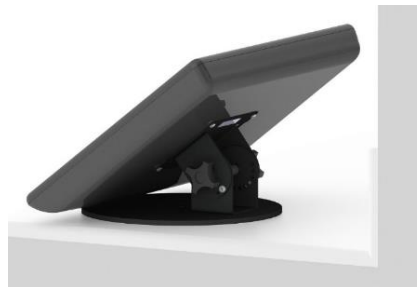
[PN 80177-RMD - Universal VESA POS Rear Marketing Display Counter Top Stand](#)



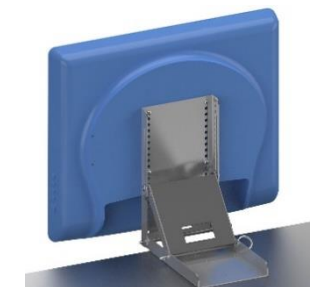
[PN 80620 - Countertop Movable Pedestal Mount with a 3" Riser + a 75/100mm VESA Pan and Tilt Head](#)



[PN 80621 - Countertop Movable Pedestal Mount with a 6" Riser + a 75/100mm VESA Pan and Tilt Head](#)



[PN 80622 - Countertop Movable Pedestal Mount with a 75/100mm VESA Pan and Tilt Head](#)



[PN 80943-SS - Ultra Low Profile Tilting Countertop Mount](#)

### **Interactive Catalog of Counter Top Mounts for Screens**

These mounts are included in the ["Counter Top Mounts for Screens"](#) product group pages on our website. For more information; click on the images or descriptions to visit the individual product pages on our website.

PDF Product Information Sheets are available at the Product Attachments tab on each product page.

[Practical Quality Systems Home Page](#)



[PN 80970-CH - 35LB Over/Under Counter/Shelf Mount with a 100mm VESA Pan & Tilt Head](#)

**Interactive Catalog of Product Sub Groups**

There are many individual products included in the various product sub groups featured on these pages.

Click on the images or descriptions to visit the individual product sub group pages on our website.

For Information about individual products; click on the "Product Attachments" tab on each of the individual product pages.

[Practical Quality Systems Home Page](#)



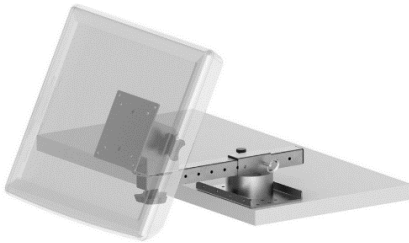
[Wall Mounts for Screens](#)



[Wall Mounts for POS Printers](#)



[Wall Mounts for Screens and POS Printers](#)



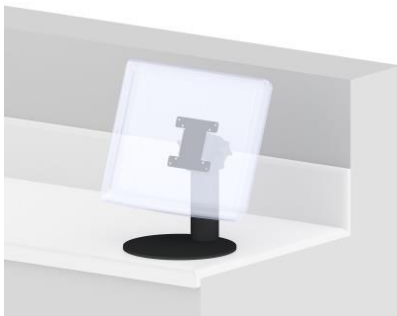
[Shelf Edge Mounts for Screens](#)



[Shelf Edge Mounts for POS Printers](#)



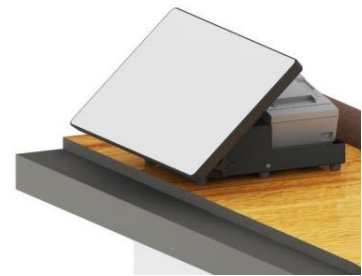
[Shelf Edge Mounts for Screens and POS Printers](#)



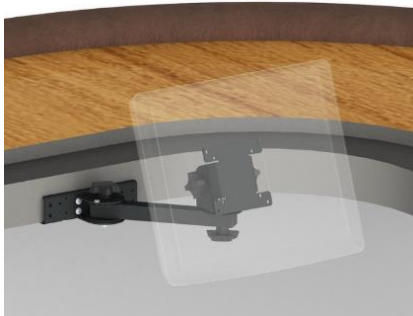
[Counter Top Mounts for Screens](#)



[Counter Top Mounts for POS Printers](#)



[Counter Top Mounts for Screens and POS Printers](#)



[Under Counter Mounts for Screens](#)



[Under Counter Mounts for POS Printers](#)



[Under Counter Mounts for Screens and POS Printers](#)

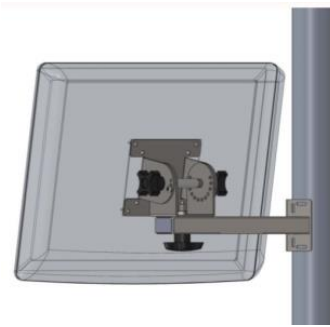
### Interactive Catalog of Product Sub Groups

There are many individual products included in the various product sub groups featured on these pages.

Click on the images or descriptions to visit the individual product sub group pages on our website.

For Information about individual products; click on the "Product Attachments" tab on each of the individual product pages.

[Practical Quality Systems Home Page](#)



[Pole Mounts for Screens](#)



[Pole Mounts for POS Printers](#)



[Ceiling Mounts for Screens](#)



[Oracle MICROS Mounting Systems](#)



[NCR Aloha KDS Mounting Solutions](#)



[QSR KDS Mounting Solutions](#)



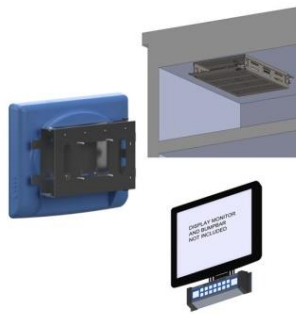
[Logic Controls Bematech KDS Mounting Solutions](#)



[Universal Kitchen Display System Mounting Packages](#)



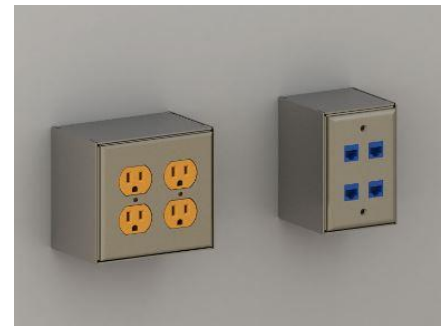
[Enclosures for Touchscreen, Monitors and Thin Clients](#)



[Back Of Screen VESA Mounts for Controllers, Thin Clients, Bump Bars, Tap+ Touch + EMV Readers](#)



[Stainless Steel Wireways](#)



[Stainless Steel Power and Data Outlet Monuments](#)

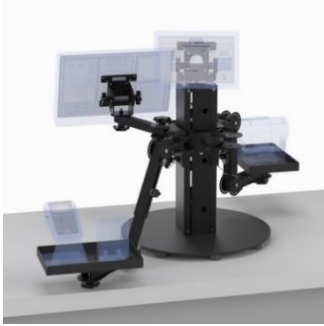
### Interactive Catalog of Product Sub Groups

There are many individual products included in the various product sub groups featured on these pages.

Click on the images or descriptions to visit the individual product sub group pages on our website.

For Information about individual products; click on the "Product Attachments" tab on each of the individual product pages.

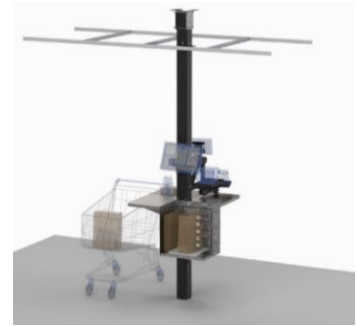
[Practical Quality Systems Home Page](#)



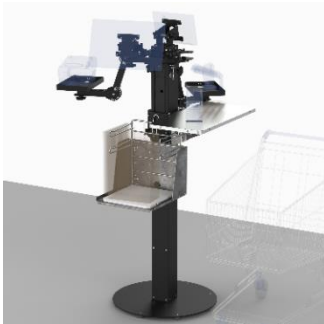
[Movable Countertop POS Stands](#)



[Direct Mount Countertop POS Stands](#)



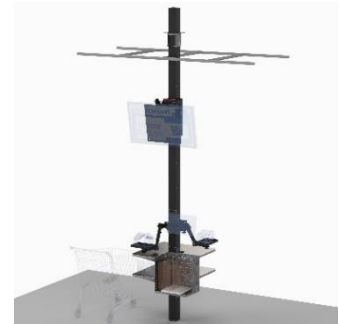
[POS Cashier Pole Stands](#)



[POS Cashier Floor Stands](#)



[POS Self-Check Out Kiosk Floor Stands](#)



[POS Self-Check Out Kiosk Pole Stands](#)



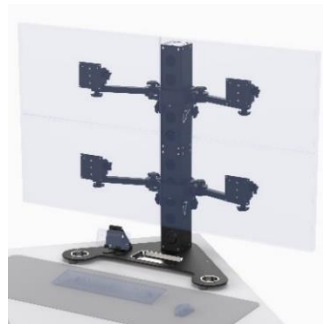
[Take Out Pickup Pole Stands](#)



[Take Out Pickup Floor Stands](#)



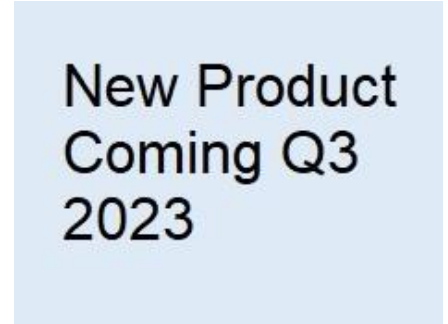
[Information Kiosk Floor Stands](#)



[Desktop Multi-Screen Pedestal Stands](#)



[4X4 Pole Clamp on Mounts](#)



[Mobile Cashier Stands](#)

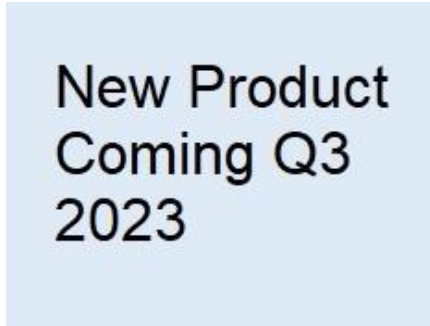
### Interactive Catalog of Product Sub Groups

There are many individual products included in the various product sub groups featured on these pages.

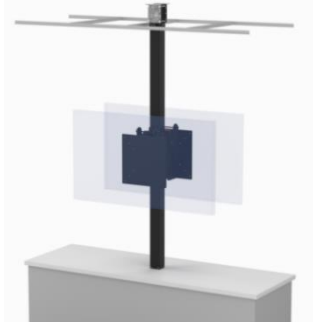
Click on the images or descriptions to visit the individual product sub group pages on our website.

For Information about individual products; click on the "Product Attachments" tab on each of the individual product pages.

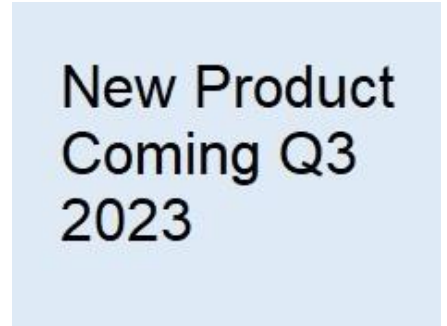
[Practical Quality Systems Home Page](#)



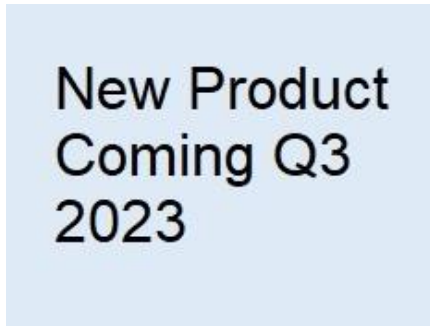
Mobile Self-Check Out Stands



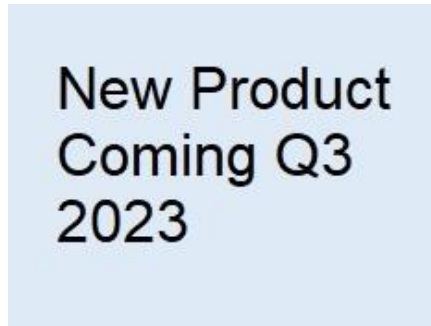
[Digital Signage Pole Stands](#)



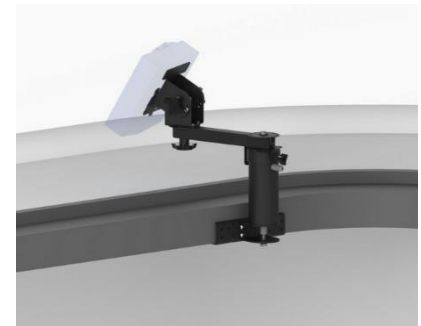
Stationary Podiums



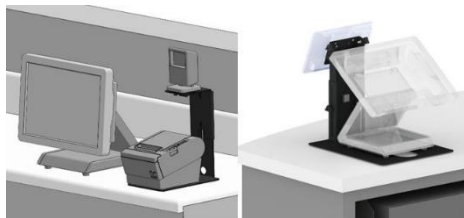
Stationary Podiums with Ceiling Feed Pole



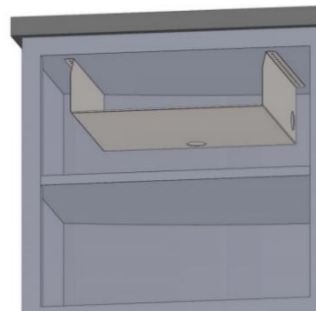
Mobile Podiums



[Ingenico Lane Reader Mounting Systems](#)



[Other Counter Top Mounts](#)



[Cash Drawer Mounting Solutions](#)