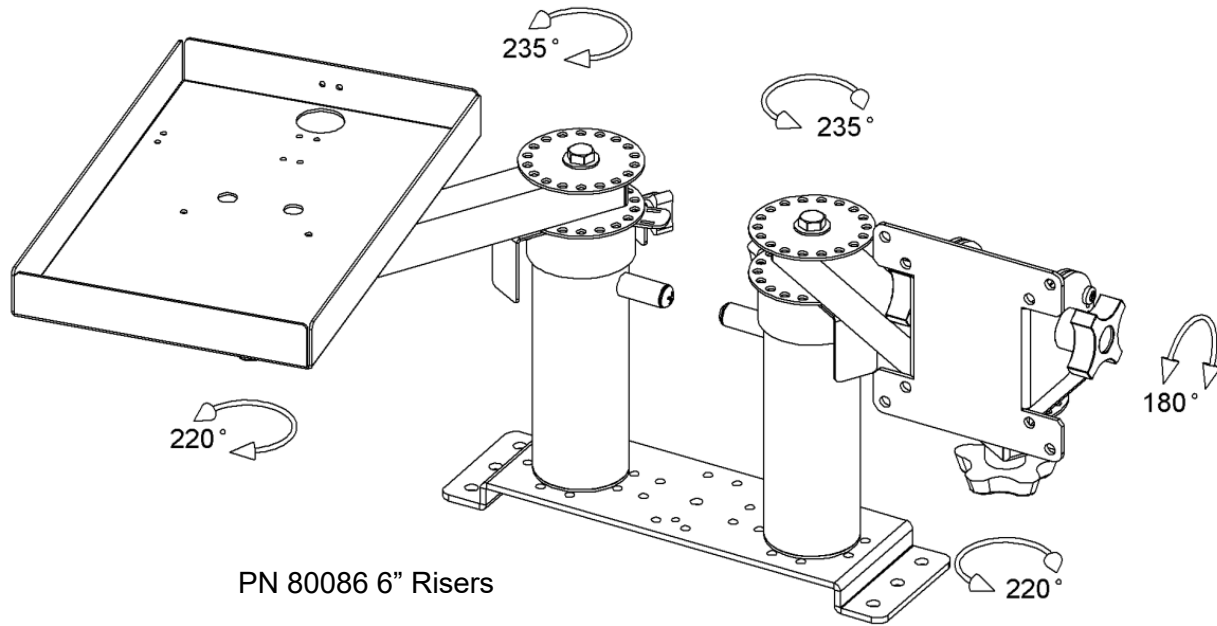


PQS

PRACTICAL QUALITY SYSTEMS
Fast Custom Manufacturing - Nationwide Installation Services

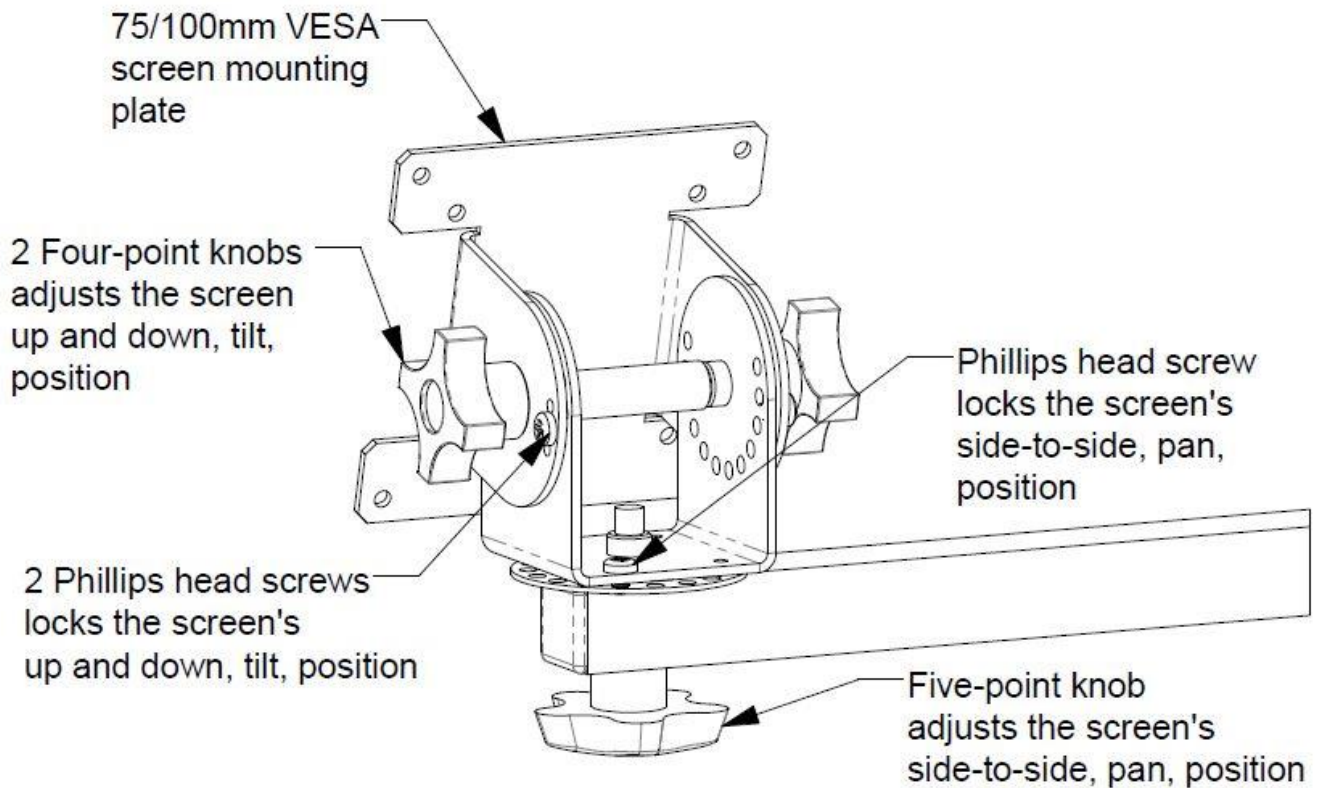


PN 80086 6" Risers: Printer not included



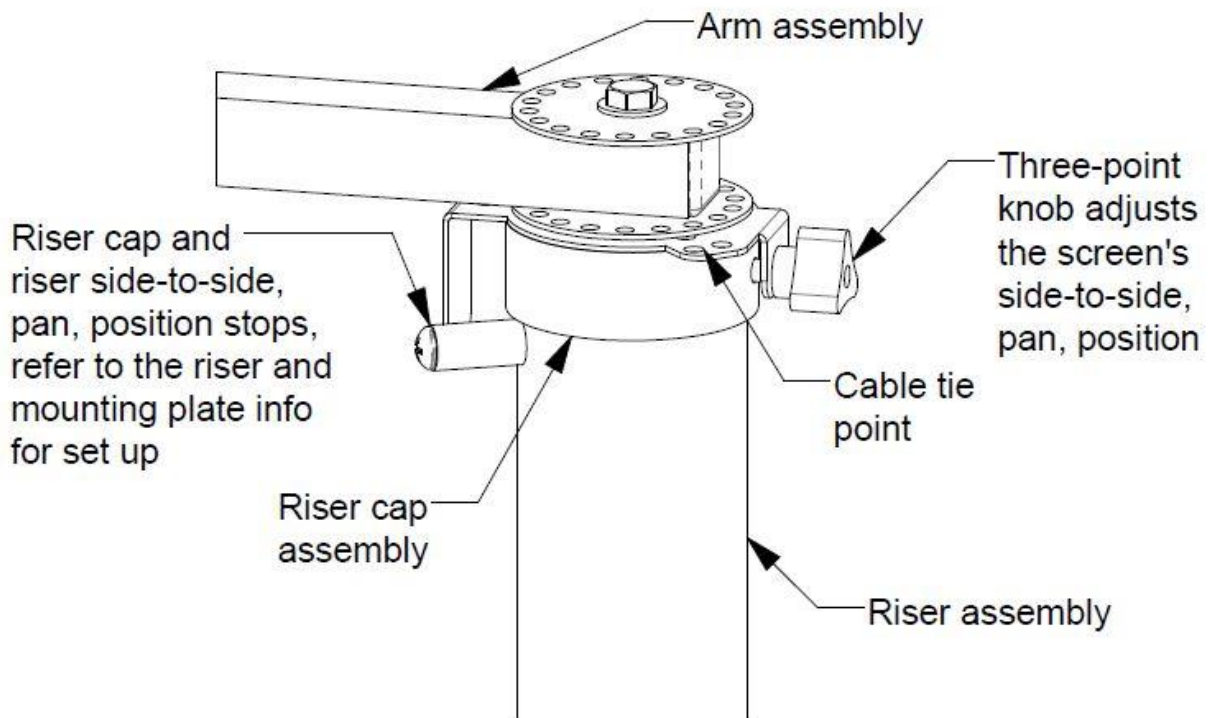
General Features

- All of these Countertop mounts can be used as a universal support system for VESA compatible monitors, touchscreens and terminals and printers for Point of Sale / POS, Kitchen Display Systems / KDS in commercial kitchens, retail, restaurants, offices, industry, shops, medical, maritime, schools, laboratory and many other applications.
- An innovative set of joint assemblies allow two to four axis of position adjustment when attached to a Countertop or other horizontal surface.
- Beyond having flexible articulation; this mount has the key feature of being easily LOCKED in any desired screen position; this ability is VERY important when using touch screen equipment as it PREVENTS the screen from moving away from the user each time a touch is input.
- This assembly supports up to 15 lbs., is made of steel and finished with a durable, black, semi-gloss, powder coat that resists fingerprints.
- Visit kitchendisplaysystems.com for a free, easy to understand tutorial that covers all aspects of Kitchen Display Systems knowledge!
- For more information on the individual components included in this package please refer to the assembly sketches in this document and the downloadable product information sheets available on our website for each of the product pages for each part number.
- To order this mount with two 6" risers, use PN 80086
- To order this mount with two 3" risers, use PN 80087
- To order this mount with one 3" and one 6" Riser, use PN 80088



Standard VESA 75-100mm Pan and Tilt Head on an Adjustable Arm

- A universal mount that works with any 75mm or 100mm VESA compatible screen.
- Tightening the 2 four-point knobs applies variable clutching resistance to allow adjustment of the up and down tilt position of the screen. Tighten either of the two 10-32 Phillips head screws adjacent to the four-point knobs to permanently secure the tilt position.
- Tightening the five- point knob below the end of the Arm applies variable clutching resistance to allow adjustment of the side-to-side pan position of the screen.
- Tighten the 10-32 Phillips head screw on the lower Panning plate into one of the holes in the end of the arm to permanently secure the pan position.
- Includes 4 pieces of M4 Phillips head screws to attach the VESA mounting plate to the back of the screen.

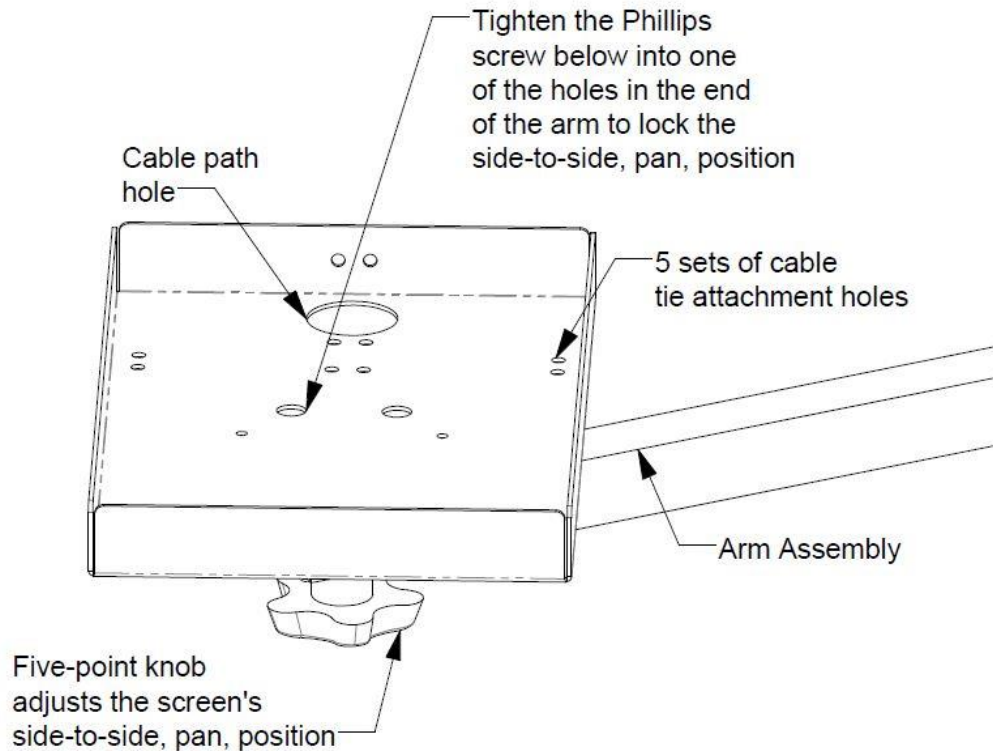


Riser, Riser Cap and Arm

- The Riser Cap allows an arm to rotate around the top of a Riser assembly.
- Loosening the three - point knob on the side of the Riser Cap allows adjustment of the side-to-side pan position of the arm around the riser assembly. Tightening the knob locks the position of the arm.
- The Riser cap incorporates a cable tie point to secure the cables so that they will travel safely as the arm is rotated.
- The Riser Cap interacts with the Riser Cap Stop on the side of the Riser to prevent the arm from making a full rotation around the riser. Refer to the Riser and mounting plate section for instructions on setting the position of the Riser Cap Stop.

Partial list of Compatible Touchscreen Monitors

- elo Touchscreen Monitor 0702L, 1002L, 1302L, 1502L, 2002L, 2202L, 2201L, 2402L, 2702L, 1515L, 1517L, 1523L, 1715L, 1717L, 1723L, 1902L, 1915L.
- elo Touchscreen Monitor Medical Grade 1903LM, 2203LM 22", 2403LM 24", 2703LM 27".
- Viewsonic Touch screens TD3207, TD1630-3, TD2223, TD2230, TD2423, TD2430, TD2760.
- Beetronics Inc. touchscreens 7TS7M, 8TSV7M, 10TS7, 10TSV7M, 10TS7M, 12TS7, 12TSV7M, 12TS7M, 13TS7, 13TS7M, 15TS7, 15TSV7M, 15TS7M, 17TSV7M, 17TS7M, 19TSV7M, 19TS7M, 22TS7M, 24TS7M.
- Planar Touch Screen Monitors Helium PCT2265, PT2245PW, Helium PCT2235, PXL2230MW, PT1945P, PT1945R, PT1745P, PT1545P, PT1545R.



Flat Printer Tray on an Adjustable Arm

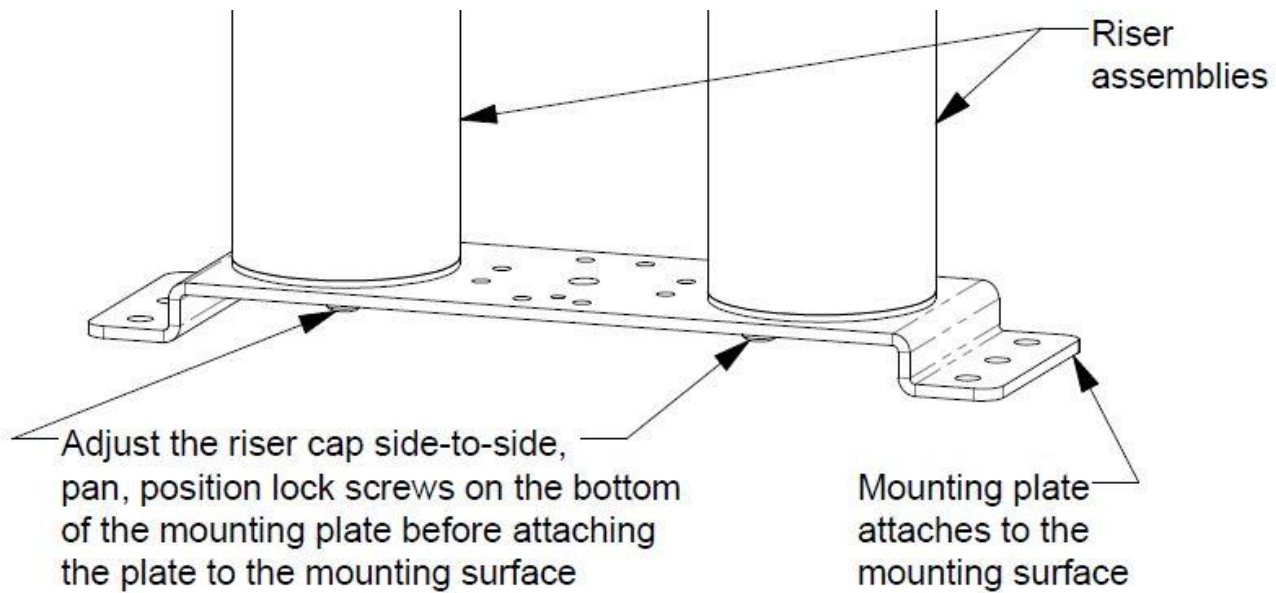
- A universal mount that works with most POS printers.
- The interior dimensions of the Flat Printer Tray are 6½" W X 10¼" L X 1" D.
- Includes a 1¼" diameter hole on one end for routing the power and data cables below the tray if desired.
- Includes multiple sets of tie point holes for inserting cable ties to secure the power and data cables if desired.
- Tightening the five- point knob below the end of the Arm applies variable resistance to allow adjustment of the side-to-side pan position of the Tray. A 10-32 Phillips head screw in one of the center holes can be tightened into one of the holes on the end of the arm to permanently secure the side-to-side pan position.

This printer mounting system is compatible with the following POS Printers:

- Note: interior dimensions of the Printer Tray = 6½" W X 10¼" L X 1" D.
- Anser U2, Brother QL 800, Brother PTP700, Citizen CT-E351, Clover P500, Clover Mini, Custom America CT-E351, Dymo LabelWriter 450, Dymo LabelWriter Wireless, Dymo LabelManager PnP, Epson TM-T88V/VI, Epson TM- T20II, Epson TM - L90, EpsonTM-U220 Type B & D, POS-X Evo HiSpeed, Rollo Printer, Sato FX3-LX, Sato WS2, Square Terminal, Star Micronics mC-Print3.

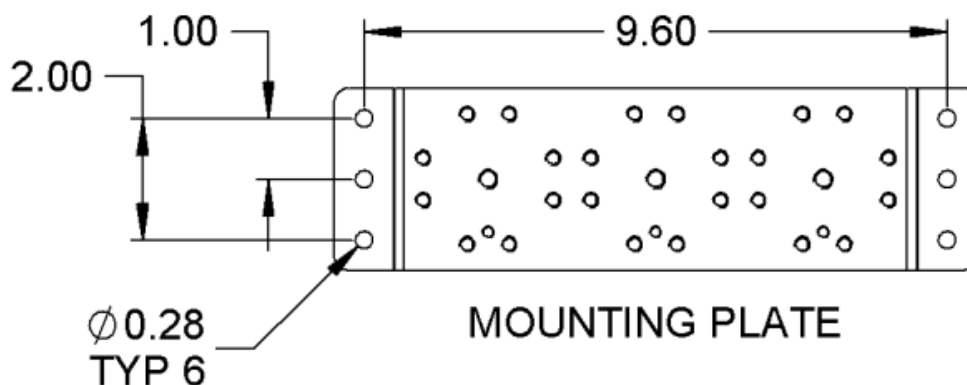
We believe in ethical SEO relevancy; the following section was included to assist the all-knowing algorithms in locating this page; however, some humans like it too.

- Printer Countertop bracket, printer Countertop mount, printer Countertop mount bracket, printer Countertop mounting bracket, Printer Countertop Tray, Printer Shelf, Kitchen printer, restaurant printer, POS printer, Point of Sale printer, Epson Printer shelf, Healthcare printer, Industrial printer, ID printer, Office printer, Manufacturing printer.



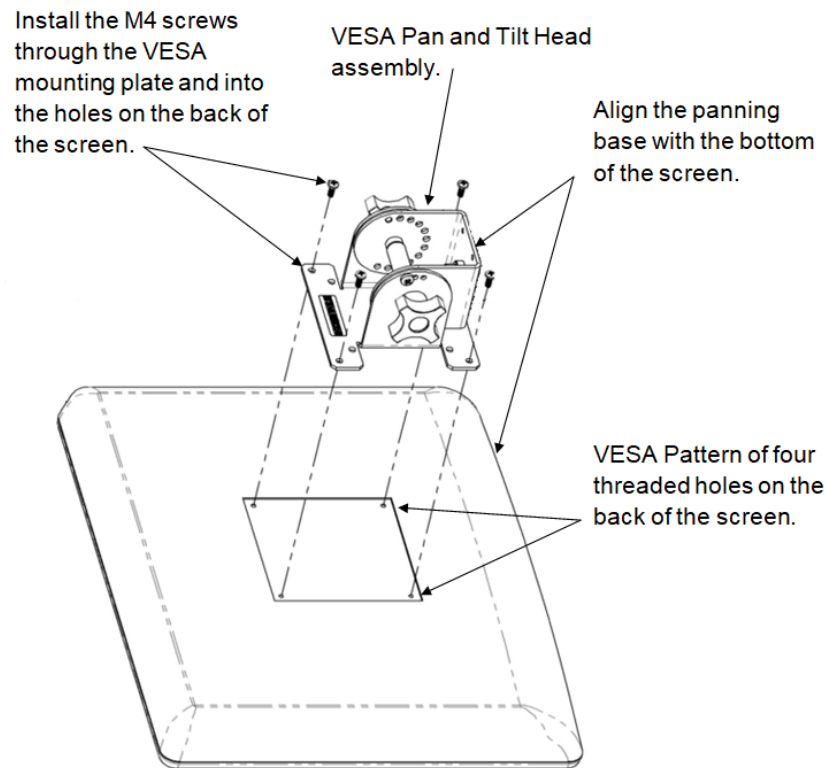
Double Countertop Mounting Plate with 2 Risers, Riser Caps and Arms

- The Riser sections elevate the arms above the mounting surface and permits the screen pan and tilt head, or printer tray, to travel horizontally allowing a wide range of positioning options.
- Before attaching the mounting plate to the mounting surface with appropriate fasteners; evaluate the side-to-side range of motion of the arms that are attached to the Riser Caps.
- The Riser Cap Stop prevents the Riser cap and arm from rotating a full 360 degrees around the Riser. It may be advantageous to relocate the stop position to optimize the side-to-side range of motion of the arms for your application.
- To reset the position of the Riser Cap Stops; Turn the mount so that you can access the bottom of the mounting plate, slightly loosen the 5/16-18 bolts with a 1/2" wrench, slightly loosen the 10-32 Phillips head riser lock screws on the



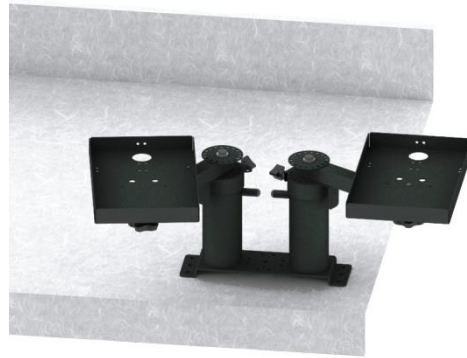
This screen mounting system is compatible with the following POS systems :

- Lightspeed, logic controls, NCR, elotouch, posiflex, Poster POS, ehopper, Beetronics, Tysso, favpng, Touch Dynamic, FastSpring, CAKE, Erply, Sapaad, Upserve, Salesforce Commerce Cloud, Block, Miva Merchant, Epos Now, QuickBooks POS, Shopify, VEND, Revel, Clover, CovaPOS, Oracle NETSUITE, MICROS, GoDaddy, Helcim, Epos Now, Upserve POS, Elo, CardConnect, NCR, ALOHA, SQUARE, Posnation, KORONA POS, BEMETECH, toast, Touchbistro, LAVU, Partnertech.



Installation Tips - How to Attach the VESA Pan and Tilt Head assembly to the back of a screen:

1. Lay the screen face down on a flat, smooth surface.
2. Hold the VESA Pan and Tilt Head assembly securely, remove the five- point hand knob, lift off the VESA Pan and Tilt Head assembly, and remove the rubber clutch washer from the top of the end of the arm.
3. Orient the flat bottom of the panning base of the VESA Pan and Tilt Head assembly with the bottom of the screen.
4. Set the VESA Pan and Tilt Head assembly with the VESA mounting plate facing down on the back of the screen.
4. Align the square pattern of either 75mm or 100mm spaced holes in the VESA mounting plate with the pattern of four tapped holes on the back of the screen.
5. Carefully install the four supplied M4 screws through the holes in the VESA mounting plate and into the tapped holes on the back of the screen.
6. Place the rubber clutch washer on the top of the end of the arm.
7. Carefully lift the Screen with the attached VESA Pan and Tilt Head assembly, align the tapped hole in the panning base with hole in the rubber clutch washer on the top of the end of the arm, reinstall the shaft of the five-point hand knob up through the underside of the arm, through the rubber clutch washer and then carefully thread it into the panning base.



A custom "Unicorn" mounting system with dual printer trays!?

Installation Tips for Screen Mounting Systems

- 1.1 Installation of this assembly must be performed by qualified persons.
- 1.2 Use fasteners that are appropriate for the materials and structure of the mounting surface.

Tips for locating KDS or POS Screen Mounting Systems

- 1.1 Care must be taken when locating KDS or POS Screens so that the display can be easily seen by the users (and in some cases touched); and also so that the screen does NOT block access to the pass through window or items such as ingredients, plates, microwaves, etc. that are located on the adjacent shelves.
- 1.2 As a general rule of thumb KDS and POS screens should be located to place the center of the display at, or just above, eye level.
- 1.3 Most KDS screens are supported by mounting systems that are attached directly to the edge of existing kitchen shelves above a production work station or expo area. POS Screens are most often attached to counter tops, Under counter, shelf edges or walls.
- 1.4 Conduct a careful survey of each POS station, Kitchen work station or expo area. Stand where the users will be standing at their work stations and consider all possible screen locations. Again ; the screens should be located where they are readily accessible; but also where they do not limit access to other important items in the work area.

Locating a Screen or Printer mount and examining the range of Motion of the arm(s).

- 1.1 Cut a section of blue painter's tape that is the same width as the mounting plate and keep this handy.
- 1.2 Carefully Lift the mounting system, and place the mounting plate in contact with the mounting surface at the proposed mounting location; then consider if the location of the VESA pan and tilt head or printer tray are accessible; but also not creating any conflicts with other items in the work area. If the system has movable arm(s) move these through their entire range of motion and look for conflicts. If conflicts are found; adjust the proposed location of the mounting plate as needed. When the optimum location is discovered; apply the tape to the spot on the mounting surface.
- 1.3 An alternate method that can be used as an aid in determining the best location for screens or printers is to make a cardboard cut out that has been shaped to closely match the overall dimensions of the intended screen or printer tray. (In a pinch you can also use a tray or a pizza box as a stand in for a screen.) Use these cardboard models as stand in for the actual equipment to assist in demonstrating the best positions of screens or printers.
- 1.4 If the screen or printer is supported by an arm; locate the pivot points of the arm and then carefully guide the VESA head or printer tray horizontally through the entire range of movement to determine optimum location for the mounting plate. When this location is discovered; apply the tape to the spot on the mounting surface.

We believe in ethical SEO relevancy; the following section was included to assist the all-knowing algorithms in locating this page; however, some humans like it too.

- VESA counter top mount, VESA countertop mounting bracket, VESA countertop mount bracket, Screen countertop mount, screen countertop mounting bracket, screen countertop mount bracket.
- Monitor countertop mount, monitor countertop mounting bracket, monitor countertop mount bracket, POS terminal countertop mount, POS terminal countertop mounting bracket, POS terminal countertop mount bracket.
- Point of Sale POS terminal countertop mount, Point of Sale terminal countertop mounting bracket, Point of Sale terminal countertop mount bracket, KDS countertop mount, KDS countertop mounting bracket, KDS countertop mount bracket, Kitchen Display System countertop mount.
- Kitchen Display System countertop mounting bracket, Kitchen Display System countertop mount bracket, Kitchen production System countertop mount, Kitchen Monitor countertop mount.
- Kitchen video countertop mount. Touchscreen counter top mount, All in One PC counter top mount, Healthcare monitor counter top mount, Industrial process monitor counter top mount, Kiosk counter top mount, Office monitor countertop mount, manufacturing process monitor countertop mount.

Partial list of Compatible Touchscreen Computers, Interactive displays, All-in-One PCs

- elo Touchscreen Computer and Interactive displays 10-inch I-Series 4 for Android E389883, E411266, E390647, E411643.
- elo Touchscreen Computer and Interactive displays 15-inch I-Series 4 for Android E390075, E412033, E391032, E412421.
- elo Touchscreen Computer and Interactive displays 22-inch I-Series 4 for Android E390263, E412818, E391414, E413211.
- elo Touchscreen Computer and Interactive displays 15-inch I-Series for Windows (2.0) E691852, E692048, E850204, E850003, E692244, E692448.
- elo Touchscreen Computer and Interactive displays 22-inch I-Series for Windows (2.0) E692640, E692837, E850591, E850387, E693022, E693211.
- elo 15-inch (4:3) EloPOS Systems E931330, E931524, E590979, E494164, E587032, E931706, E931896, E590570, E494361, E932090, E932274, E407443, E485078, E590763.
- elo 15-inch (16:9) EloPOS Systems E440439, E440234, E397891, E441010, E440808, E441385, E441193, E441781, E441575, E262258, E397698, E263402, E442161, E441968, E442550, E442365, E892954, E841559, E877703, E892761, E935572, E935367, E841357, E395937, E935967, E935775, E407627, E880567, E396134, E727037, E936365, E936163, E936750, E936556, E536624, E939305, E939498.
- elo 17-inch (5:4) EloPOS Systems E402183, E401992, E485278, E484096, E491271, E402576, E402382, E484495, E484291, E491458, E402963, E402781, E484700, E484896.
- 22-inch EloPOS Systems E937154, E936953, E413988, E414192, E511988, E937523, E937340, E612017, E375459, E410884, E910541, E397507, E511785, E937919, E937720, E938297, E938113, E560404, E417915.
- Dell All-in-one OptiPlex 3290, OptiPlex 3090, OptiPlex 7490, OptiPlex 7780, OptiPlex 5480, OptiPlex 5490, Inspiron 24 5000, Inspiron 27 7000.
- HP, HP Chromebase, Envy, AIO, Pavilion, Office 365, All-in-One - 2Z1Z3AV_1, 20W72AA#ABA, 20W60AA#ABA, 3UQ98AA#ABA, 20W59AA#ABA, 20W58AA#ABA, 3UR17AA#ABA, 20W57AA#ABA, 10M73AV_1, 8AJ56AV_1, 3UR10AA#ABA, 20W66AA#ABA, 3UQ97AA#ABA, 22_AiO_O365P_Kit, 3UQ96AA#ABA, 8AJ03AV_1, 3UR18AA#ABA, 3UR02AA#ABA.
- Lenovo IdeaCentre, ThinkCentre F0E5002DUS, F0FQ0008US, F0EX0001US, F0FB001RUS, F0FB0077US, F0FB007FUS.
- Cybernet iOne S24, iOne S22, iOne S20, iOne S19.

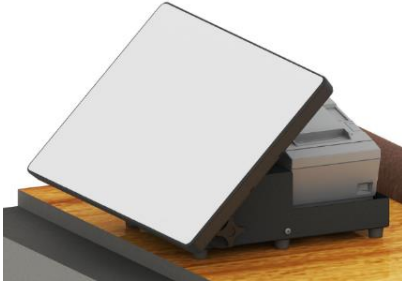
Interactive Catalog of Counter Top Mounts for Screens and POS Printers

These mounts are included in the ["Counter Top Mounts for Screens and POS Printers"](#) product group pages on our website.

For more information; click on the images or descriptions to visit the individual product pages on our website.

PDF Product Information Sheets are available at the Product Attachments tab on each product page.

[Practical Quality Systems Home Page](#)



[PN 80014 - VESA Screen and Printer Countertop Stand](#)



[PN 80086 - Countertop Fixed Pedestal Mount + 6" Risers + two 8" Arms, a 75/100mm VESA Screen Pan-Tilt Head + Flat Printer Tray](#)



[PN 80087 - Countertop Fixed Pedestal Mount + 3" Risers + two 8" Arms + 75/100mm VESA Screen Pan - Tilt Head + Flat Printer Tray](#)



[PN 80088 - Countertop Fixed Pedestal Mount + 3" & one 6" Riser + two 8" Arms + one 75/100mm VESA Screen Pan - Tilt Head + Flat Printer Tray](#)

Interactive Catalog of Product Sub Groups

There are many individual products included in the various product sub groups featured on these pages.

Click on the images or descriptions to visit the individual product sub group pages on our website.

For Information about individual products; click on the "Product Attachments" tab on each of the individual product pages.

[Practical Quality Systems Home Page](#)



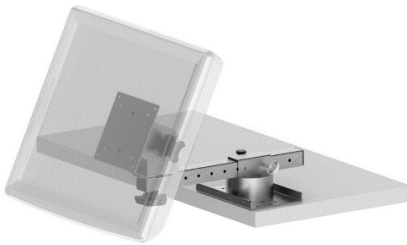
[Wall Mounts for Screens](#)



[Wall Mounts for POS Printers](#)



[Wall Mounts for Screens and POS Printers](#)



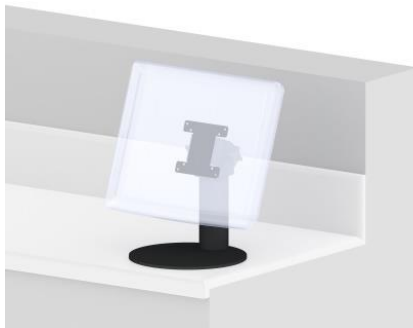
[Shelf Edge Mounts for Screens](#)



[Shelf Edge Mounts for POS Printers](#)



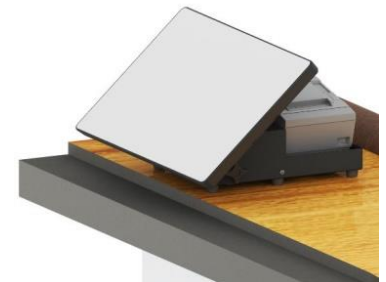
[Shelf Edge Mounts for Screens and POS Printers](#)



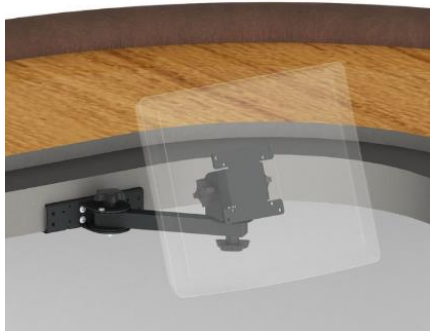
[Counter Top Mounts for Screens](#)



[Counter Top Mounts for POS Printers](#)



[Counter Top Mounts for Screens and POS Printers](#)



[Under Counter Mounts for Screens](#)



[Under Counter Mounts for POS Printers](#)



[Under Counter Mounts for Screens and POS Printers](#)

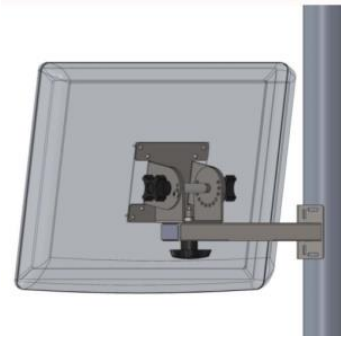
Interactive Catalog of Product Sub Groups

There are many individual products included in the various product sub groups featured on these pages.

Click on the images or descriptions to visit the individual product sub group pages on our website.

For Information about individual products; click on the "Product Attachments" tab on each of the individual product pages.

[Practical Quality Systems Home Page](#)



[Pole Mounts for Screens](#)



[Pole Mounts for POS Printers](#)



[Ceiling Mounts for Screens](#)



[Oracle MICROS Mounting Systems](#)



[NCR Aloha KDS Mounting Solutions](#)



[QSR KDS Mounting Solutions](#)



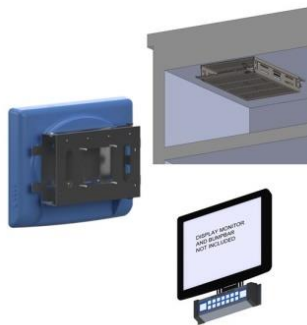
[Logic Controls Bematech KDS Mounting Solutions](#)



[Universal Kitchen Display System Mounting Packages](#)



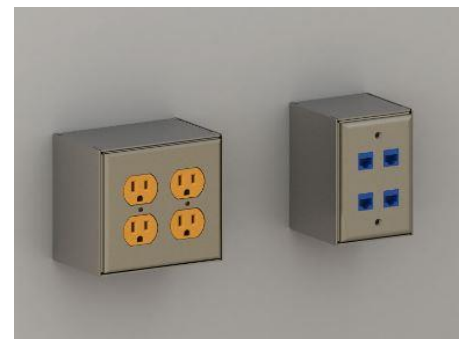
[Enclosures for Touchscreen, Monitors and Thin Clients](#)



[Back Of Screen VESA Mounts for Controllers, Thin Clients, Bump Bars, Tap+ Touch + EMV Readers](#)



[Stainless Steel Wireways](#)



[Stainless Steel Power and Data Outlet Monuments](#)

Interactive Catalog of Product Sub Groups

There are many individual products included in the various product sub groups featured on these pages.

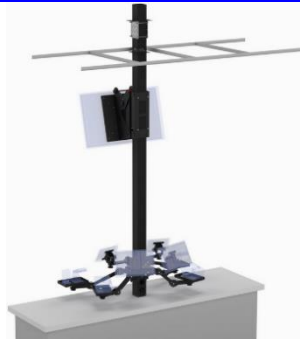
Click on the images or descriptions to visit the individual product sub group pages on our website.

For Information about individual products; click on the "Product Attachments" tab on each of the individual product pages.

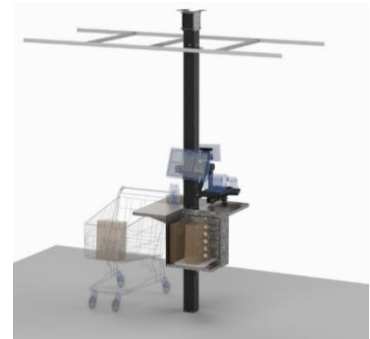
[Practical Quality Systems Home Page](#)



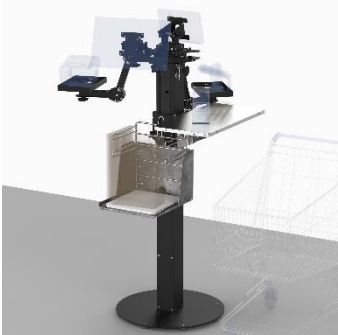
[Movable Countertop POS Stands](#)



[Direct Mount Countertop POS Stands](#)



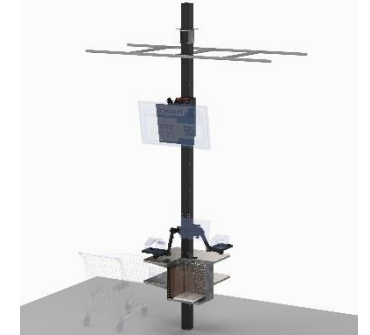
[POS Cashier Pole Stands](#)



[POS Cashier Floor Stands](#)



[POS Self-Check Out Kiosk Floor Stands](#)



[POS Self-Check Out Kiosk Pole Stands](#)



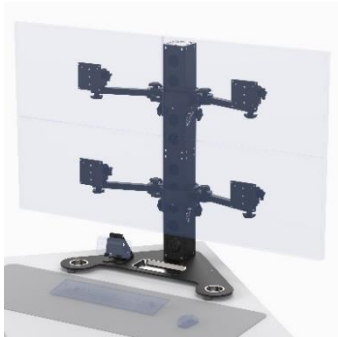
[Take Out Pickup Pole Stands](#)



[Take Out Pickup Floor Stands](#)



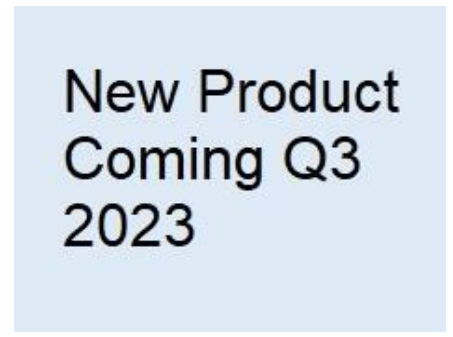
[Information Kiosk Floor Stands](#)



[Desktop Multi-Screen Pedestal Stands](#)



[4X4 Pole Clamp on Mounts](#)



[Mobile Cashier Stands](#)

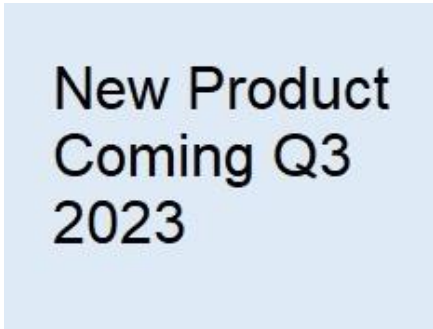
Interactive Catalog of Product Sub Groups

There are many individual products included in the various product sub groups featured on these pages.

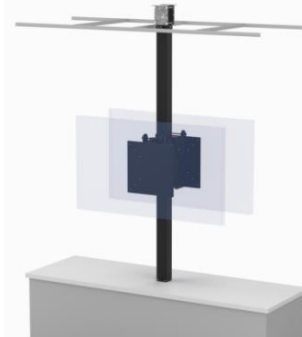
Click on the images or descriptions to visit the individual product sub group pages on our website.

For Information about individual products; click on the "Product Attachments" tab on each of the individual product pages.

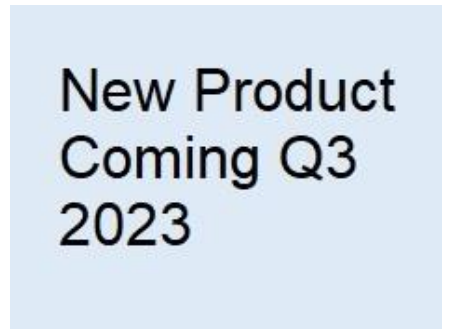
[Practical Quality Systems Home Page](#)



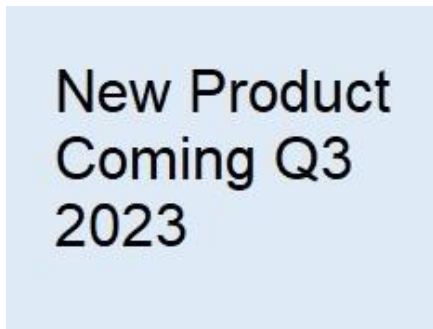
Mobile Self-Check Out Stands



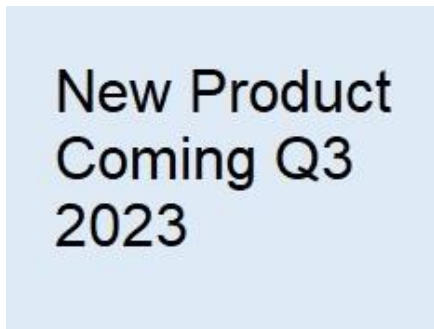
[Digital Signage Pole Stands](#)



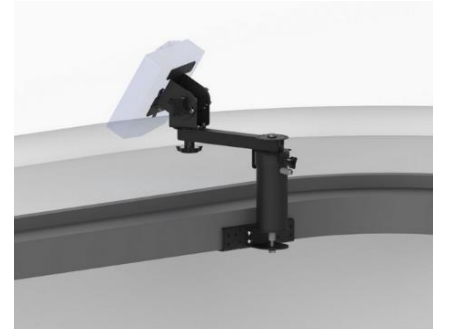
Stationary Podiums



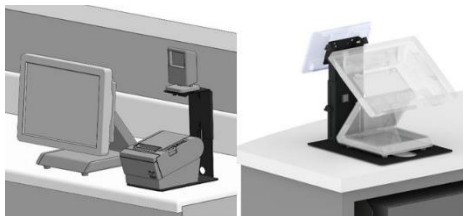
Stationary Podiums with Ceiling Feed Pole



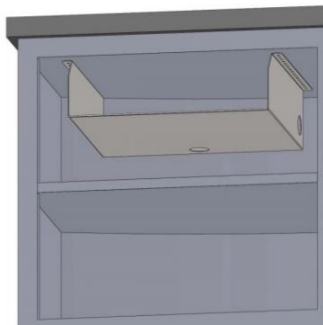
Mobile Podiums



[Ingenico Lane Reader Mounting Systems](#)



[Other Counter Top Mounts](#)



[Cash Drawer Mounting Solutions](#)