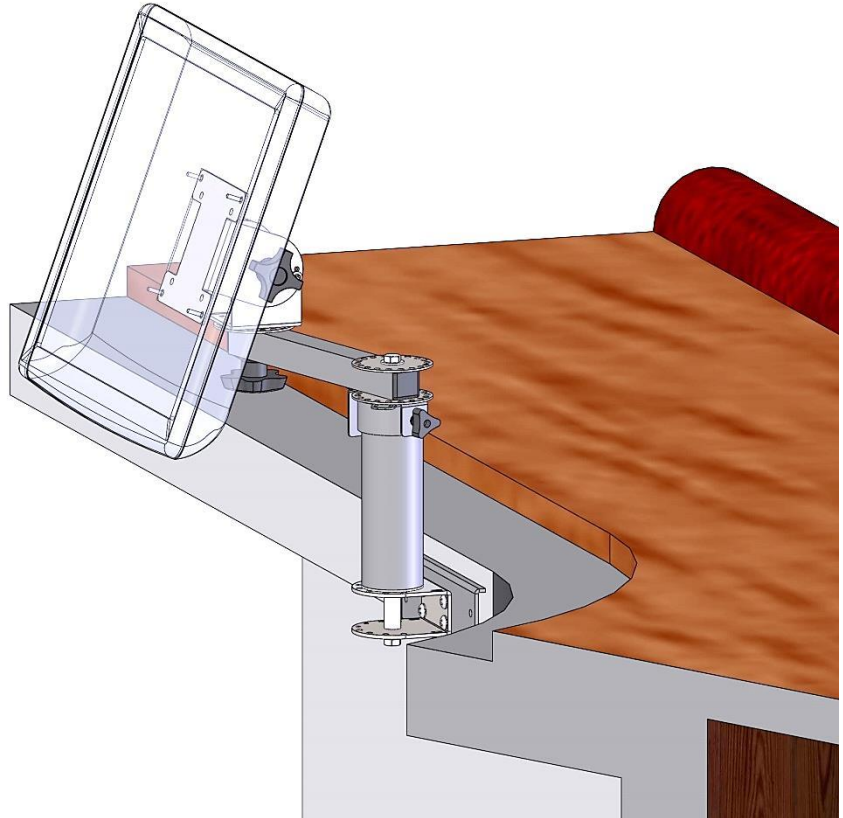


PQS

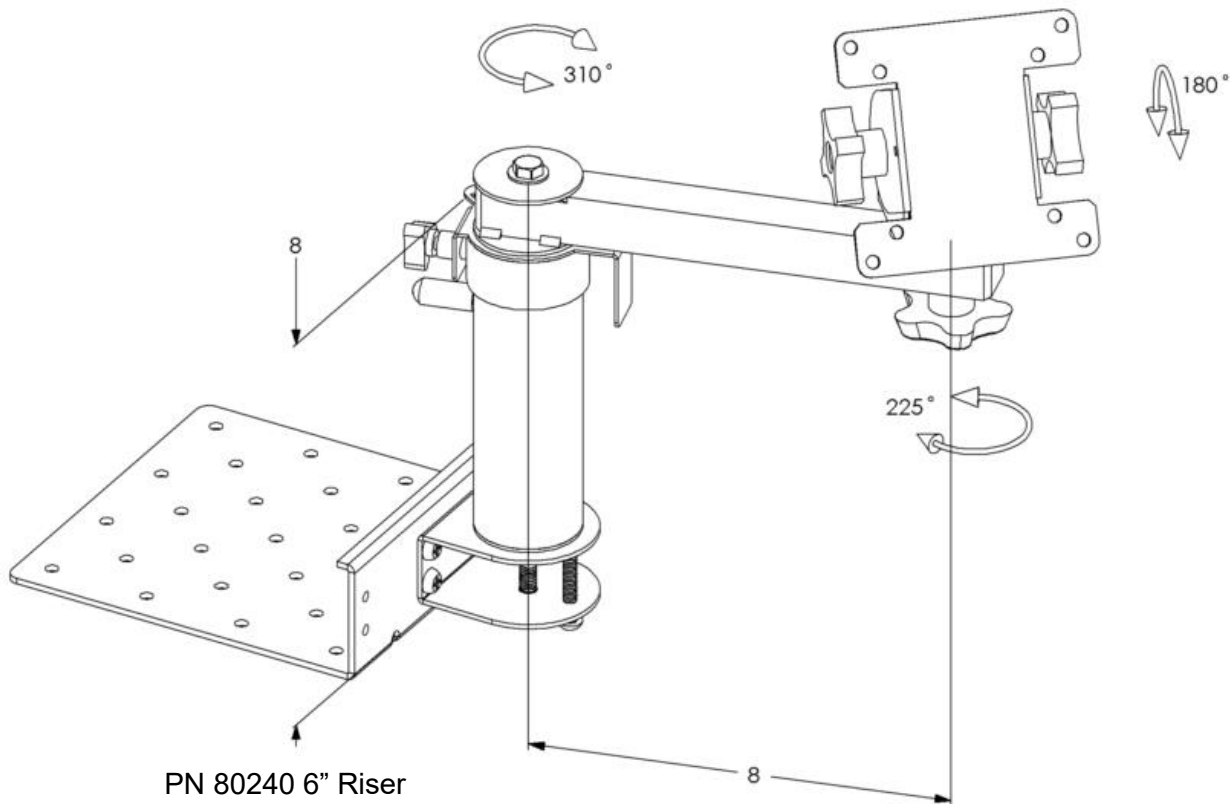
PRACTICAL QUALITY SYSTEMS
Fast Custom Manufacturing - Nationwide Installation Services



PN 80240 6" Riser

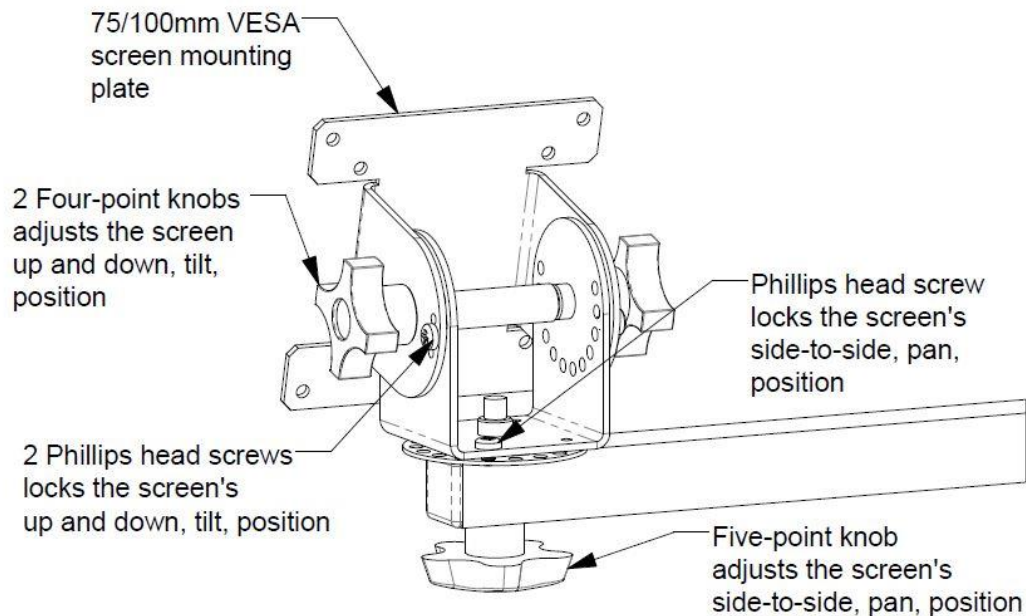


PN 80241 3" Riser



General Features

- This under counter mount can be used as a universal support system for all VESA compatible monitors, touchscreens and terminals for Point of Sale / POS, Kitchen Display Systems / KDS in commercial kitchens, retail, restaurants, offices, industry, shops, medical, maritime, schools, laboratory and many other applications.
- An innovative set of joint assemblies allow three axis of position adjustment on each arm when attached to the underside of a countertop or other horizontal surface.
- Beyond having flexible articulation; this mount has the key feature of being easily LOCKED in any desired screen position; this ability is VERY important when using touch screen equipment as it PREVENTS the screen from moving away from the user each time a touch is input.
- This arm of this assembly supports up to 15 lbs. This assembly is made of steel and is finished with a durable, black, low gloss, micro wrinkle powder coat that resists fingerprints.
- Visit kitchendisplayssystems.com for a free, easy to understand tutorial that covers all aspects of Kitchen Display Systems knowledge!
- For more information on the individual components included in this package please refer to the assembly sketches in this document and the downloadable product information sheets available on our website for each of the product pages for each part number.

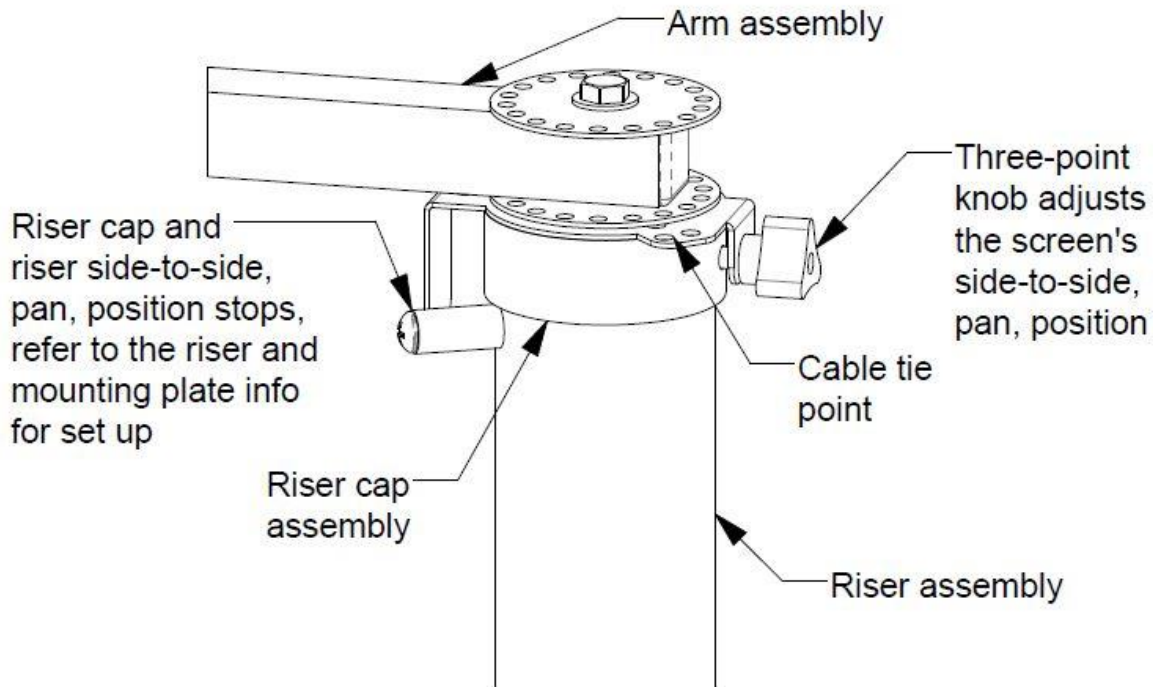


Standard VESA 75-100mm Pan and Tilt Head on an Adjustable Arm

- A universal mount that works with any 75mm or 100mm VESA compatible screen.
- Tightening the 2 four-point knobs applies variable clutching resistance to allow adjustment of the up and down tilt position of the screen. Tighten either of the two 10-32 Phillips head screws adjacent to the four-point knobs to permanently secure the tilt position.
- Tightening the five-point knob below the end of the Arm applies variable clutching resistance to allow adjustment of the side-to-side pan position of the screen.
- Tighten the 10-32 Phillips head screw on the lower Panning plate into one of the holes in the end of the arm to permanently secure the pan position.
- Includes 4 pieces of M4 Phillips head screws to attach the VESA mounting plate to the back of the screen.

We believe in ethical SEO relevancy; the following section was included to assist the all-knowing algorithms in locating this page; however, some humans like it too.

- VESA under counter mount, VESA under counter mounting bracket, VESA under-counter mount bracket, Screen under-counter mount, screen under-counter mounting bracket, screen under-counter mount bracket, monitor under-counter mount, monitor under-counter mounting bracket, monitor under-counter mount bracket, POS terminal under-counter mount, POS terminal under-counter mounting bracket, POS terminal under-counter mount bracket, Point of Sale POS terminal under-counter mount, Point of Sale terminal under-counter mounting bracket, Point of Sale terminal under-counter mount bracket, KDS under-counter mount, KDS under-counter mounting bracket, KDS under-counter mount bracket, Kitchen Display System under-counter mount, Kitchen Display System under-counter mounting bracket, Kitchen Display System under-counter mount bracket, Kitchen production System under-counter mount, Kitchen Monitor under-counter mount, Kitchen video under-counter mount. Touchscreen under-counter mount, All in One PC under-counter mount, Healthcare monitor under-counter mount, Industrial process monitor under-counter mount, Kiosk countertop mount, Office monitor under-counter mount, Manufacturing process monitor under-counter mount.

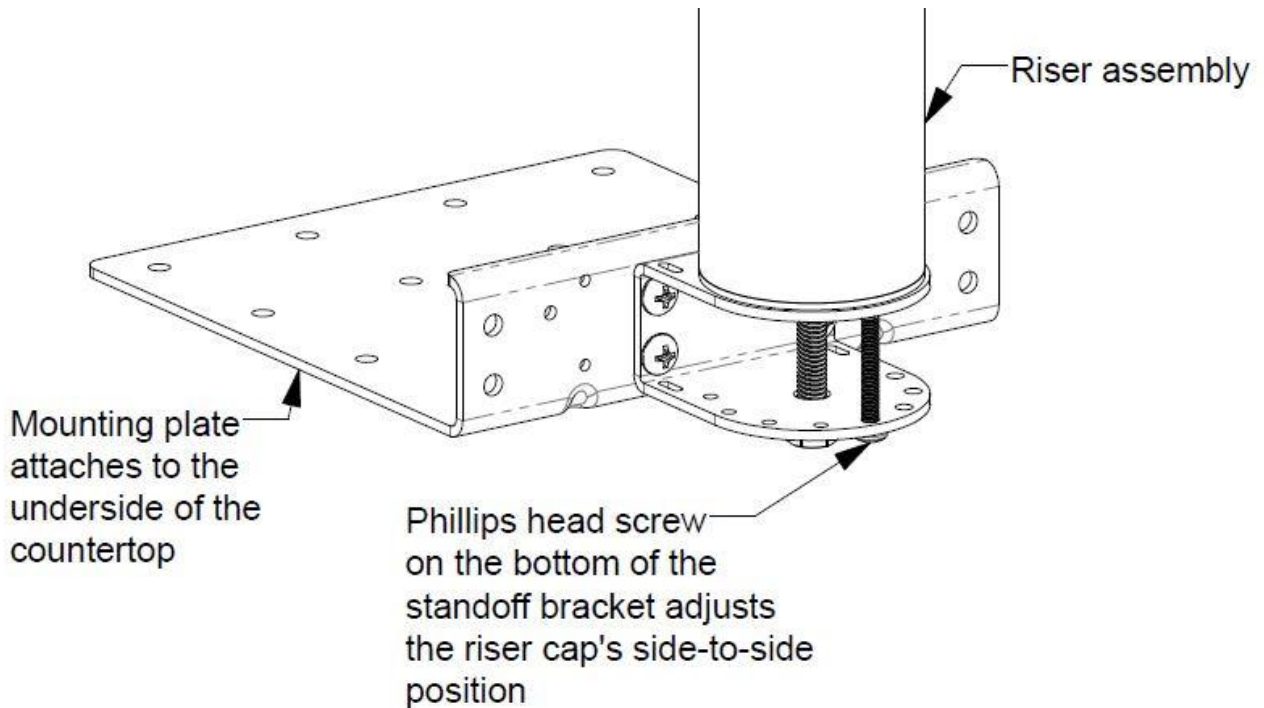


Riser, Riser Cap and Arm

- The Riser Cap allows an arm to rotate around the top of a Riser assembly.
- Loosening the three - point knob on the side of the Riser Cap allows adjustment of the side-to-side pan position of the arm around the riser assembly. Tightening the knob locks the position of the arm.
- The Riser cap incorporates a cable tie point to secure the cables so that they will travel safely as the arm is rotated.
- The Riser Cap interacts with the Riser Cap Stop on the side of the Riser to prevent the arm from making a full rotation around the riser. Refer to the Riser and mounting plate section for instructions on setting the position of the Riser Cap Stop.

Partial list of Compatible Touchscreen Monitors

- elo Touchscreen Monitor 0702L, 1002L, 1302L, 1502L, 2002L, 2202L, 2201L, 2402L, 2702L, 1515L, 1517L, 1523L, 1715L, 1717L, 1723L, 1902L, 1915L.
- elo Touchscreen Monitor Medical Grade 1903LM, 2203LM 22", 2403LM 24", 2703LM 27".
- Viewsonic Touch screens TD3207, TD1630-3, TD2223, TD2230, TD2423, TD2430, TD2760.
- Beetratics Inc. touchscreens 7TS7M, 8TSV7M, 10TS7, 10TSV7M, 10TS7M, 12TS7, 12TSV7M, 12TS7M, 13TS7, 13TS7M, 15TS7, 15TSV7M, 15TS7M, 17TSV7M, 17TS7M, 19TSV7M, 19TS7M, 22TS7M, 24TS7M.
- Planar Touch Screen Monitors Helium PCT2265, PT2245PW, Helium PCT2235, PXL2230MW, PT1945P, PT1945R, PT1745P, PT1545P, PT1545R.



Under counter Mounting Plate with Stand off Bracket, Riser, Riser Cap and Arm

- The Riser section elevates the arm above the mounting surface and permits the screen pan and tilt head, or printer tray, to travel horizontally allowing a wide range of positioning options.
- Attach the mounting plate to the underside of the counter top or other flat horizontal surface with appropriate fasteners.
- Evaluate the side-to-side range of motion of the arm that are attached to the Riser Cap.
- The Riser Cap Stop prevents the Riser cap and arm from rotating a full 360 degrees around the Riser. It may be advantageous to relocate the stop position to optimize the side-to-side range of motion of the arm for your application.
- To reset the position of the Riser Cap Stop; Turn the mount so that you can access the bottom of the mounting plate, slightly loosen the 5/16-18 bolt with a 1/2" wrench, slightly loosen the 10-32 Phillips head riser lock screw on the underside of the mounting plate; carefully rotate the riser to locate the stop at the new desired position; then retighten the bolt and screw.
- The Riser Cap incorporates a cable tie point to secure the cables so that they will travel safely as the arms are rotated.



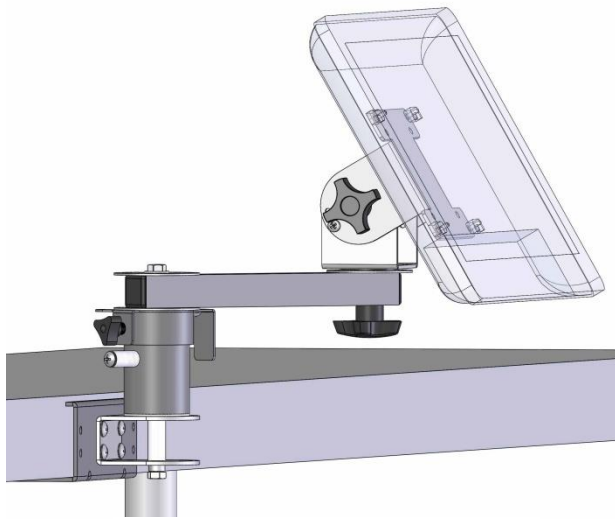
PN 80241 3" Riser

Installation Tips for Screen Mounting Systems

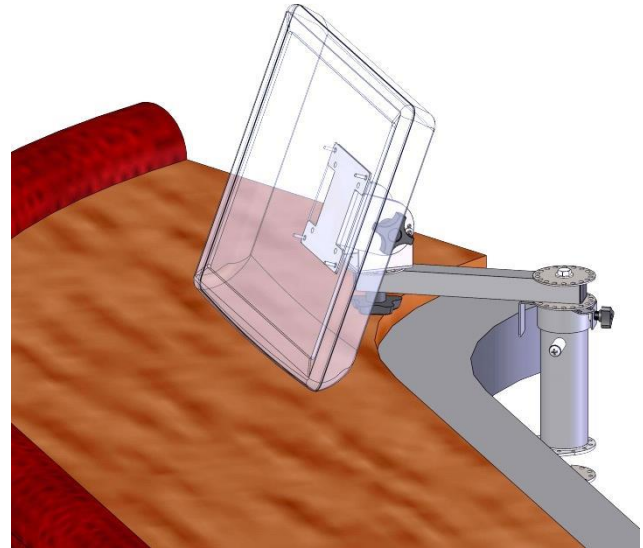
1. 1 Installation of this assembly must be performed by qualified persons.
- 1.2 Use fasteners that are appropriate for the materials and structure of the mounting surface.

Tips for locating KDS or POS Screen Mounting Systems

- 1.1 Care must be taken when locating KDS or POS Screens so that the display can be easily seen by the users (and in some cases touched); and also so that the screen does NOT block access to the pass through window or items such as ingredients, plates, microwaves, etc. that are located on the adjacent shelves.
- 1.2 As a general rule of thumb KDS and POS screens should be located to place the center of the display at, or just above, eye level.
- 1.3 Most KDS screens are supported by mounting systems that are attached directly to the edge of existing kitchen shelves above a production work station or expo area. POS Screens are most often attached to counter tops, Under counter, shelf edges or walls.
- 1.4 Conduct a careful survey of each POS station, Kitchen work station or expo area. Stand where the users will be standing at their work stations and consider all possible screen locations. Again ; the screens should be located where they are readily accessible; but also where they do not limit access to other important items in the work area.



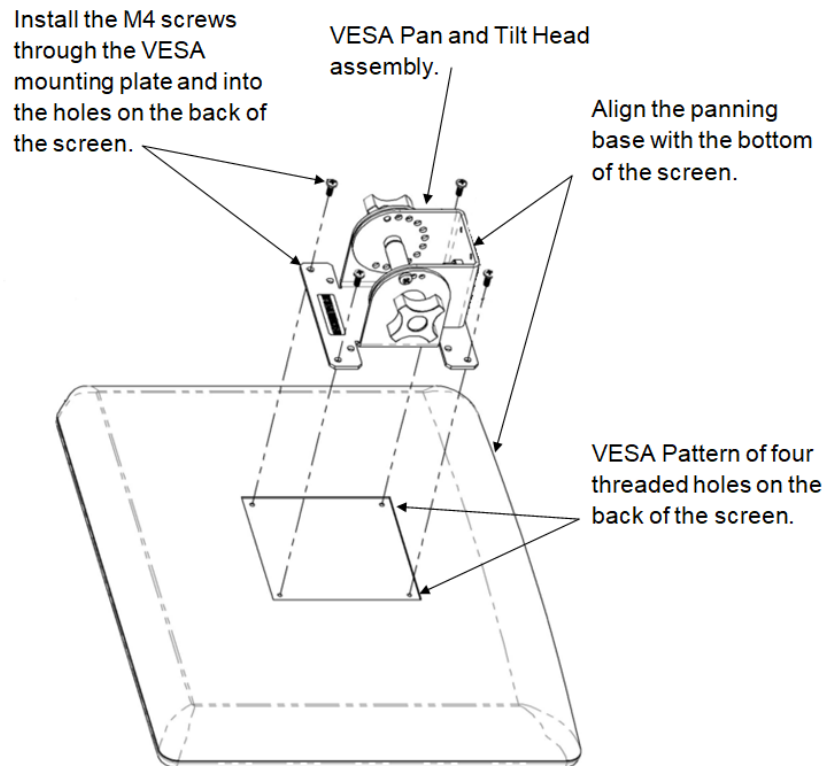
PN 80241 3" Riser



PN 80240 6" Riser

Locating a Screen or Printer mount and examining the range of Motion of the arm(s).

- 1.1 Cut a section of blue painter's tape that is the same width as the mounting plate and keep this handy.
- 1.2 Carefully Lift the mounting system, and place the mounting plate in contact with the mounting surface at the proposed mounting location; then consider if the location of the VESA pan and tilt head or printer tray are accessible; but also not creating any conflicts with other items in the work area. If the system has movable arm(s) move these through their entire range of motion and look for conflicts. If conflicts are found; adjust the proposed location of the mounting plate as needed. When the optimum location is discovered; apply the tape to the spot on the mounting surface.
- 1.3 An alternate method that can be used as an aid in determining the best location for screens or printers is to make a cardboard cut out that has been shaped to closely match the overall dimensions of the intended screen or printer tray. (In a pinch you can also use a tray or a pizza box as a stand in for a screen.) Use these cardboard models as stand in for the actual equipment to assist in demonstrating the best positions of screens or printers.
- 1.4 If the screen or printer is supported by an arm; locate the pivot points of the arm and then carefully guide the VESA head or printer tray horizontally through the entire range of movement to determine optimum location for the mounting plate. When this location is discovered; apply the tape to the spot on the mounting surface.

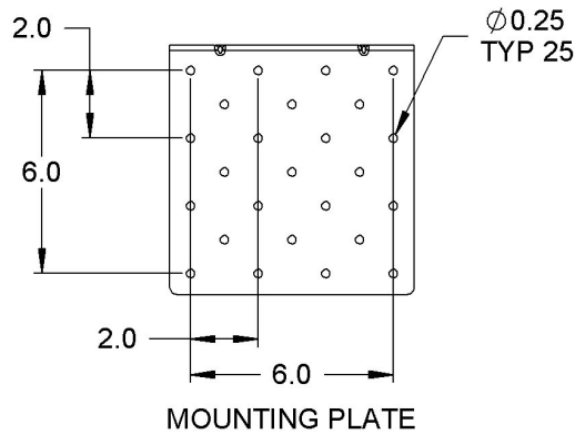


Installation Tips - How to Attach the VESA Pan and Tilt Head assembly to the back of a screen:

1. Lay the screen face down on a flat, smooth surface.
2. Hold the VESA Pan and Tilt Head assembly securely, remove the five-point hand knob, lift off the VESA Pan and Tilt Head assembly, and remove the rubber clutch washer from the top of the end of the arm.
3. Orient the flat bottom of the panning base of the VESA Pan and Tilt Head assembly with the bottom of the screen.
4. Set the VESA Pan and Tilt Head assembly with the VESA mounting plate facing down on the back of the screen.
4. Align the square pattern of either 75mm or 100mm spaced holes in the VESA mounting plate with the pattern of four tapped holes on the back of the screen.
5. Carefully install the four supplied M4 screws through the holes in the VESA mounting plate and into the tapped holes on the back of the screen.

This screen mounting system is compatible with the following POS systems :

Lightspeed, logic controls, NCR, elotouch, posiflex, Poster POS, ehopper, Beetrionics, Tysso, favpng, Touch Dynamic, FastSpring, CAKE, Erply, Sapaad, Upserve, Salesforce Commerce Cloud, Block, Miva Merchant, Epos Now, QuickBooks POS, Shopify, VEND, Revel, Clover, CovaPOS, Oracle NETSUITE, MICROS, GoDaddy, Helcim, Epos Now, Upserve POS, Elo, CardConnect, NCR, ALOHA, SQUARE, Posnation, KORONA POS, BEMETECH, toast, Touchbistro, LAVU, Partnertech.



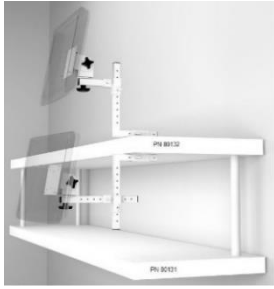
Partial list of Compatible Touchscreen Computers, Interactive displays, All-in-One PCs

- elo Touchscreen Computer and Interactive displays 10-inch I-Series 4 for Android E389883, E411266, E390647, E411643.
- elo Touchscreen Computer and Interactive displays 15-inch I-Series 4 for Android E390075, E412033, E391032, E412421.
- elo Touchscreen Computer and Interactive displays 22-inch I-Series 4 for Android E390263, E412818, E391414, E413211.
- elo Touchscreen Computer and Interactive displays 15-inch I-Series for Windows (2.0) E691852, E692048, E850204, E850003, E692244, E692448.
- elo Touchscreen Computer and Interactive displays 22-inch I-Series for Windows (2.0) E692640, E692837, E850591, E850387, E693022, E693211.
- elo 15-inch (4:3) EloPOS Systems E931330, E931524, E590979, E494164, E587032, E931706, E931896, E590570, E494361, E932090, E932274, E407443, E485078, E590763.
- elo 15-inch (16:9) EloPOS Systems E440439, E440234, E397891, E441010, E440808, E441385, E441193, E441781, E441575, E262258, E397698, E263402, E442161, E441968, E442550, E442365, E892954, E841559, E877703, E892761, E935572, E935367, E841357, E395937, E935967, E935775, E407627, E880567, E396134, E727037, E936365, E936163, E936750, E936556, E536624, E939305, E939498.
- elo 17-inch (5:4) EloPOS Systems E402183, E401992, E485278, E484096, E491271, E402576, E402382, E484495, E484291, E491458, E402963, E402781, E484700, E484896.
- 22-inch EloPOS Systems E937154, E936953, E413988, E414192, E511988, E937523, E937340, E612017, E375459, E410884, E910541, E397507, E511785, E937919, E937720, E938297, E938113, E560404, E417915.
- Dell All-in-one OptiPlex 3290, OptiPlex 3090, OptiPlex 7490, OptiPlex 7780, OptiPlex 5480, OptiPlex 5490, Inspiron 24 5000, Inspiron 27 7000.
- HP, HP Chromebase, Envy, AIO, Pavilion, Office 365, All-in-One - 2Z1Z3AV_1, 20W72AA#ABA, 20W60AA#ABA, 3UQ98AA#ABA, 20W59AA#ABA, 20W58AA#ABA, 3UR17AA#ABA, 20W57AA#ABA, 10M73AV_1, 8AJ56AV_1, 3UR10AA#ABA, 20W66AA#ABA, 3UQ97AA#ABA, 22_AiO_O365P_Kit, 3UQ96AA#ABA, 8AJ03AV_1, 3UR18AA#ABA, 3UR02AA#ABA.
- Lenovo IdeaCentre, ThinkCentre F0E5002DUS, F0FQ0008US, F0EX0001US, F0FB001RUS, F0FB0077US, F0FB007FUS.
- Cybernet iOne S24, iOne S22, iOne S20, iOne S19.

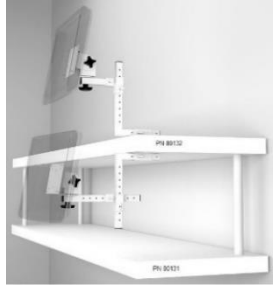
Interactive Catalog of Under Counter Mounts for Screens

These mounts are included in the "[Under Counter Mounts for Screens](#)" product group pages on our website. For more information; click on the images or descriptions to visit the individual product pages on our website. PDF Product Information Sheets are available at the Product Attachments tab on each product page.

[Practical Quality Systems Home Page](#)



[PN 80131 - Over/Under Shelf Edge Mount or Counter Top Mount + Long Extension Arm](#)



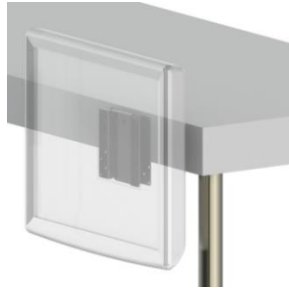
[PN 80132 - Over/Under Shelf edge mount or Counter top mount + short extension arm](#)



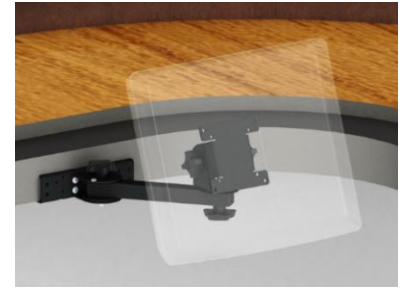
[PN 80135-CH - Over/Under Shelf or Counter with Panning Plate Mount + Long Extension Arm](#)



[PN 80136-CH - Over/Under Shelf or Counter + Panning Plate Mount Short Extension Arm](#)



[PN 80171 - Under Counter Mount + Quick Disconnect VESA Flat](#)



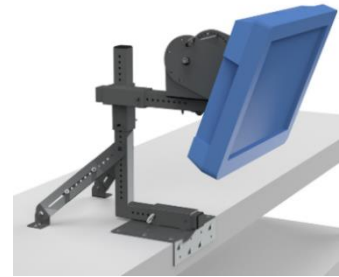
[PN 80200 - Under Counter Mount + 8" Arm + 75/100mm VESA Screen Pan - Tilt Head](#)



[PN 80240 - Under Counter Mount + 8" arm + 6" Riser + 75/100mm Screen Pan - Tilt Head](#)



[PN 80241 - Under Counter Mount + 8" arm + 3" Riser + 75/100mm Screen Pan - Tilt Head](#)



[PN 80970-CH - 35LB Over/Under Counter/Shelf Mount + 100mm VESA Pan - Tilt Head](#)

Interactive Catalog of Product Sub Groups

There are many individual products included in the various product sub groups featured on these pages.

Click on the images or descriptions to visit the individual product sub group pages on our website.

For Information about individual products; click on the "Product Attachments" tab on each of the individual product pages.

[Practical Quality Systems Home Page](#)



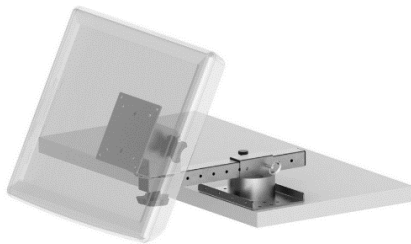
[Wall Mounts for Screens](#)



[Wall Mounts for POS Printers](#)



[Wall Mounts for Screens and POS Printers](#)



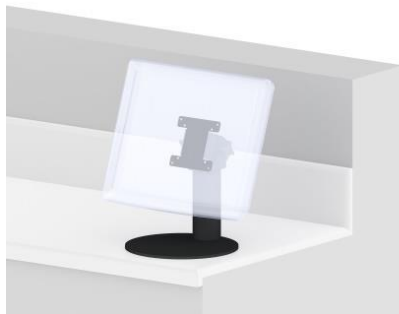
[Shelf Edge Mounts for Screens](#)



[Shelf Edge Mounts for POS Printers](#)



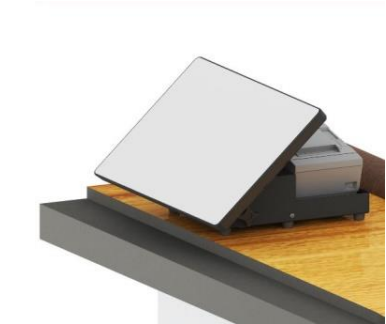
[Shelf Edge Mounts for Screens and POS Printers](#)



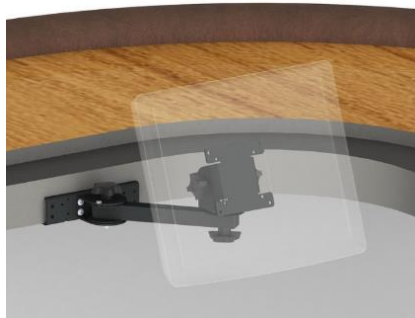
[Counter Top Mounts for Screens](#)



[Counter Top Mounts for POS Printers](#)



[Counter Top Mounts for Screens and POS Printers](#)



[Under Counter Mounts for Screens](#)



[Under Counter Mounts for POS Printers](#)



[Under Counter Mounts for Screens and POS Printers](#)

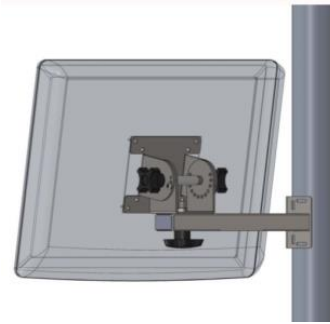
Interactive Catalog of Product Sub Groups

There are many individual products included in the various product sub groups featured on these pages.

Click on the images or descriptions to visit the individual product sub group pages on our website.

For Information about individual products; click on the "Product Attachments" tab on each of the individual product pages.

[Practical Quality Systems Home Page](#)



[Pole Mounts for Screens](#)



[Pole Mounts for POS Printers](#)



[Ceiling Mounts for Screens](#)



[Oracle MICROS Mounting Systems](#)



[NCR Aloha KDS Mounting Solutions](#)



[QSR KDS Mounting Solutions](#)



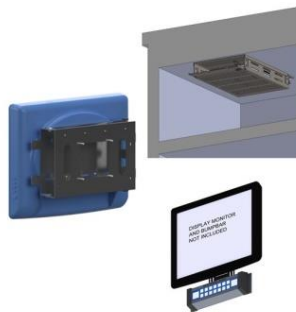
[Logic Controls Bematech KDS Mounting Solutions](#)



[Universal Kitchen Display System Mounting Packages](#)



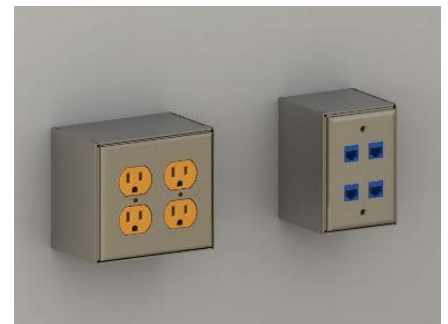
[Enclosures for Touchscreen, Monitors and Thin Clients](#)



[Back Of Screen VESA Mounts for Controllers, Thin Clients, Bump Bars, Tap+ Touch + EMV Readers](#)



[Stainless Steel Wireways](#)



[Stainless Steel Power and Data Outlet Monuments](#)

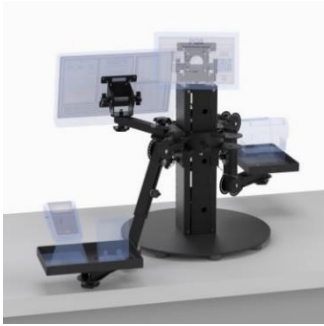
Interactive Catalog of Product Sub Groups

There are many individual products included in the various product sub groups featured on these pages.

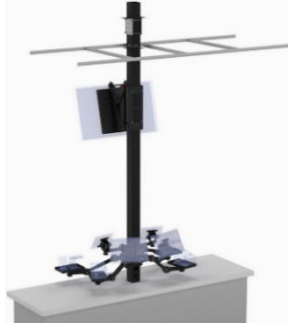
Click on the images or descriptions to visit the individual product sub group pages on our website.

For Information about individual products; click on the "Product Attachments" tab on each of the individual product pages.

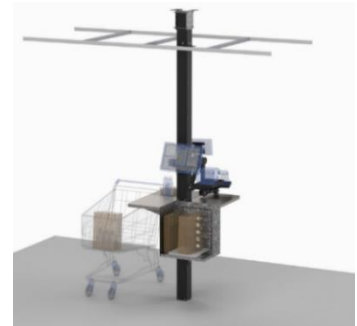
[Practical Quality Systems Home Page](#)



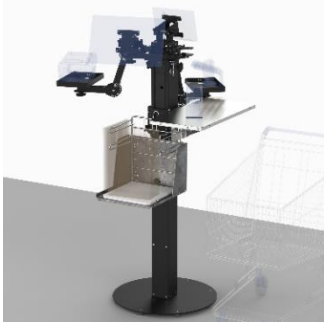
[Movable Countertop POS Stands](#)



[Direct Mount Countertop POS Stands](#)



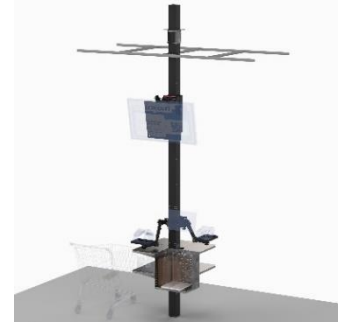
[POS Cashier Pole Stands](#)



[POS Cashier Floor Stands](#)



[POS Self-Check Out Kiosk Floor Stands](#)



[POS Self-Check Out Kiosk Pole Stands](#)



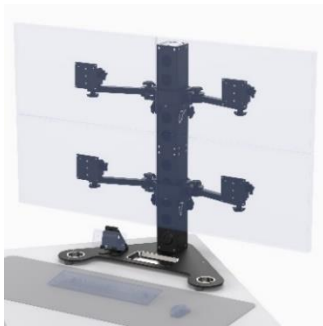
[Take Out Pickup Pole Stands](#)



[Take Out Pickup Floor Stands](#)



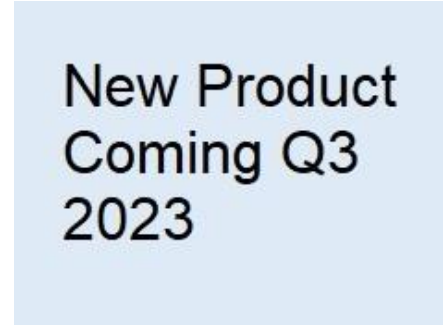
[Information Kiosk Floor Stands](#)



[Desktop Multi-Screen Pedestal Stands](#)



[4X4 Pole Clamp on Mounts](#)



[Mobile Cashier Stands](#)

Interactive Catalog of Product Sub Groups

There are many individual products included in the various product sub groups featured on these pages.

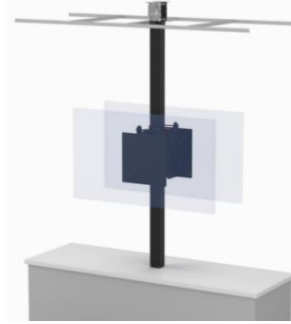
Click on the images or descriptions to visit the individual product sub group pages on our website.

For Information about individual products; click on the "Product Attachments" tab on each of the individual product pages.

[Practical Quality Systems Home Page](#)

New Product
Coming Q3
2023

Mobile Self-Check Out Stands



[Digital Signage Pole Stands](#)

New Product
Coming Q3
2023

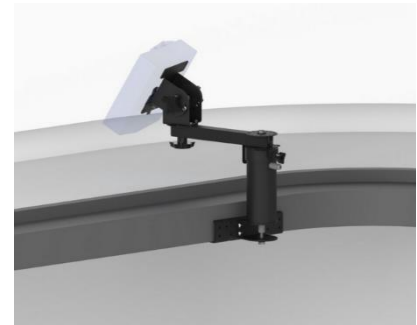
Stationary Podiums

New Product
Coming Q3
2023

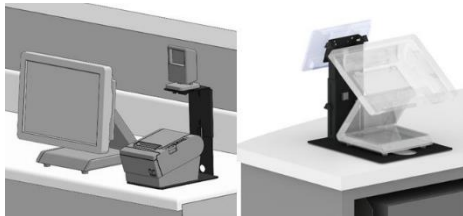
Stationary Podiums with Ceiling Feed Pole

New Product
Coming Q3
2023

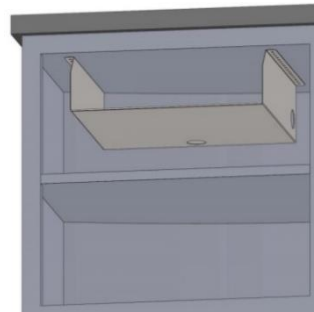
Mobile Podiums



[Ingenico Lane Reader Mounting Systems](#)



[Other Counter Top Mounts](#)



[Cash Drawer Mounting Solutions](#)