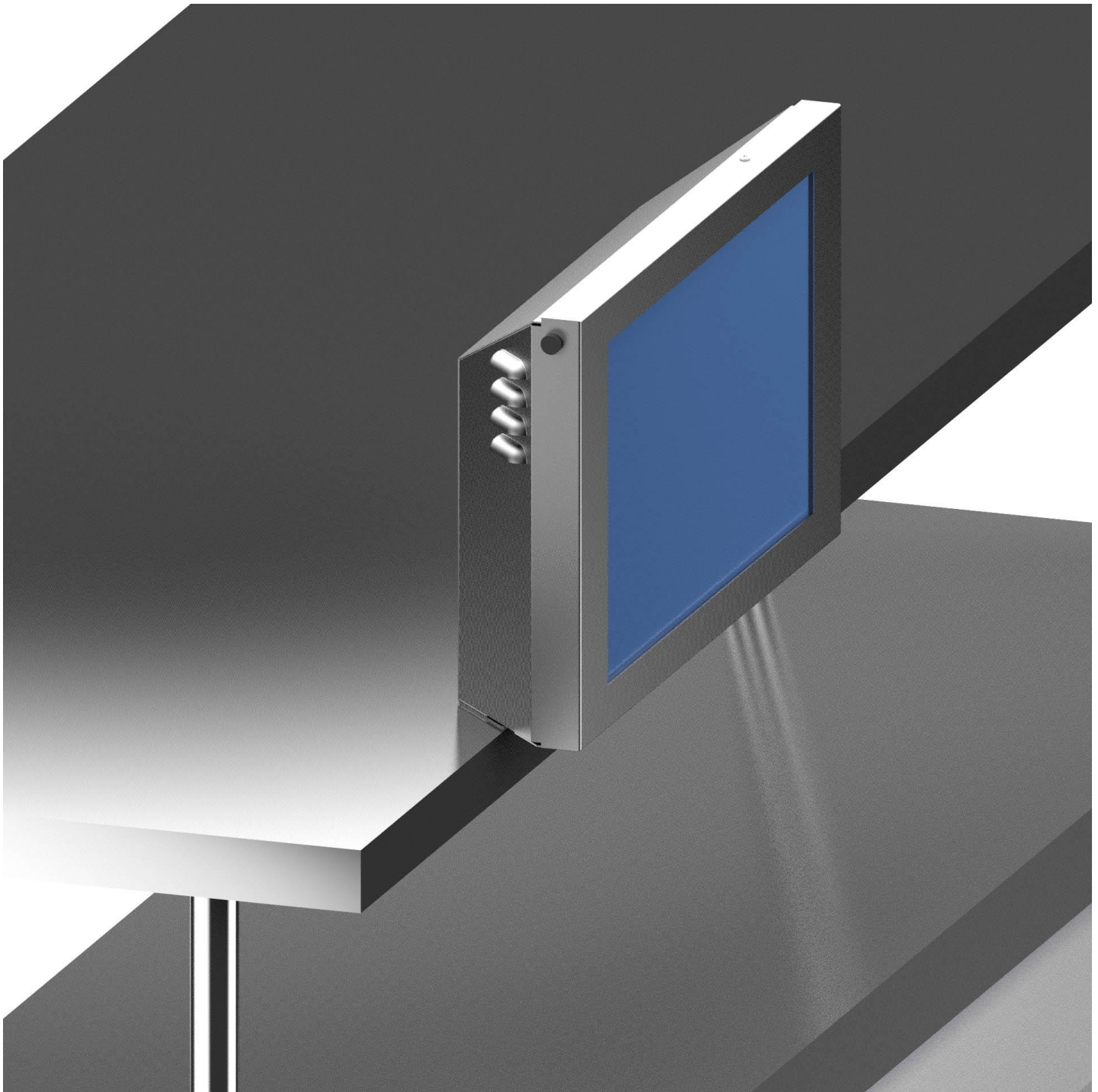
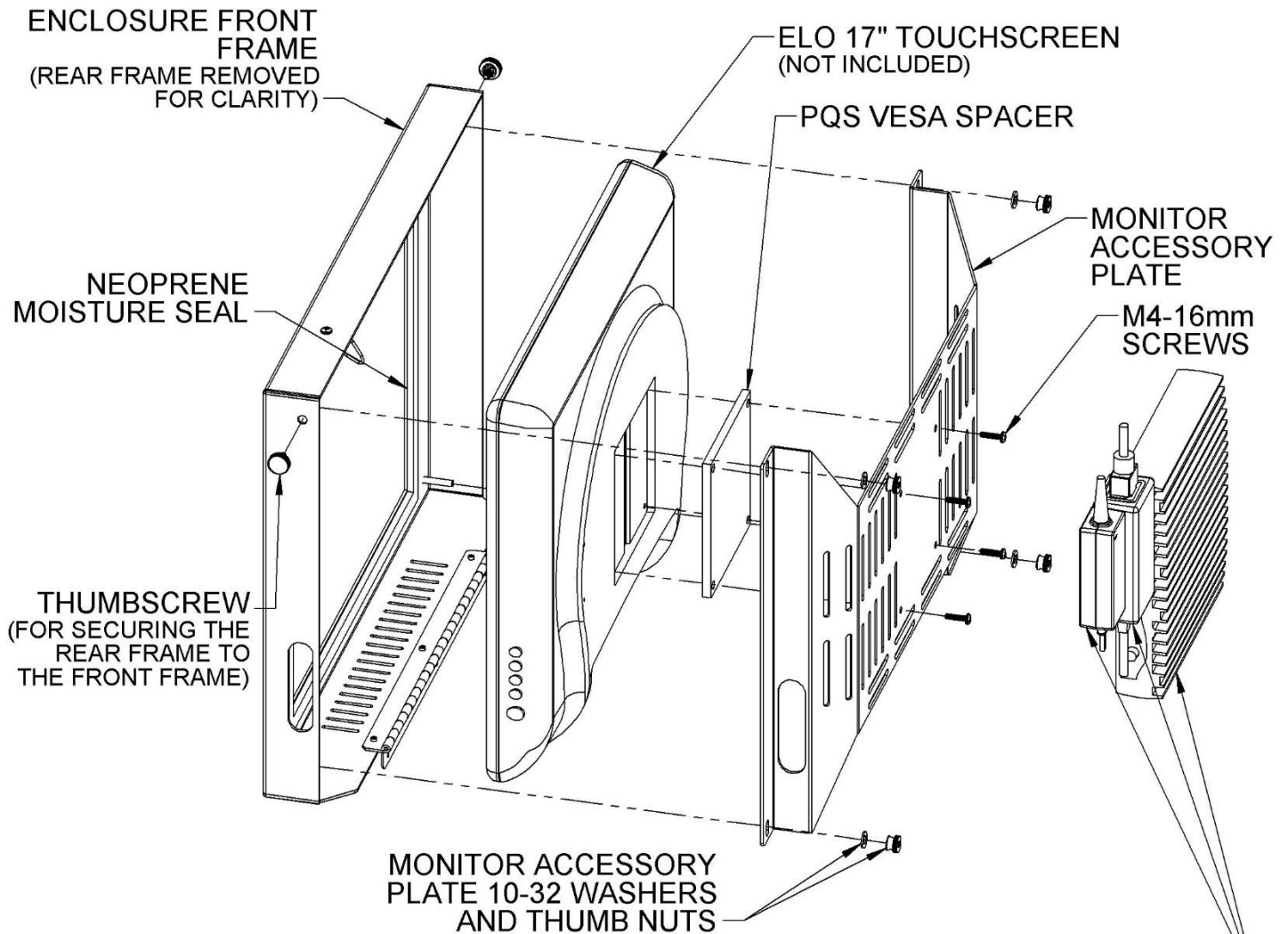


PQS

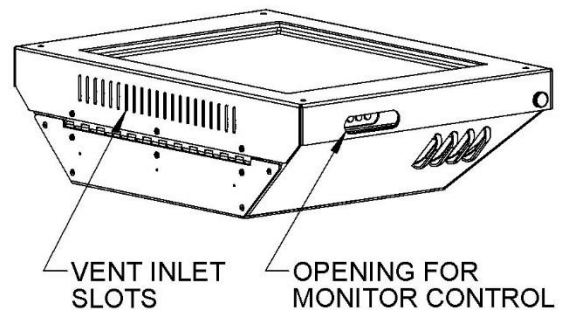
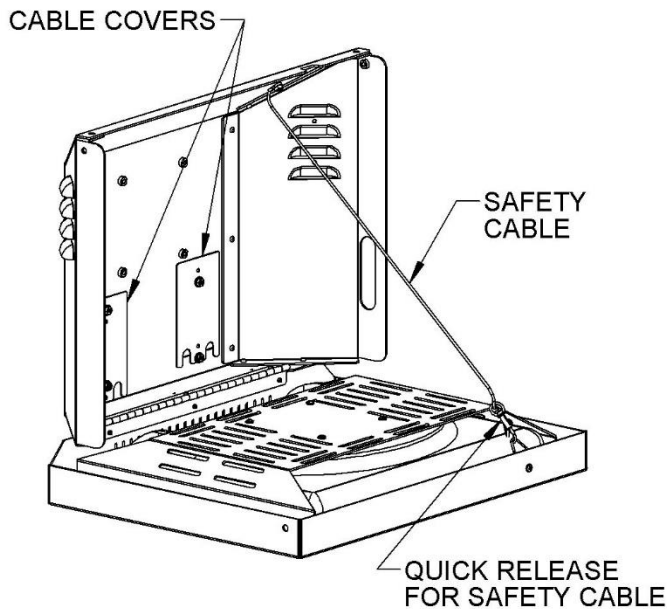
PRACTICAL QUALITY SYSTEMS

Fast Custom Manufacturing - Nationwide Installation Services



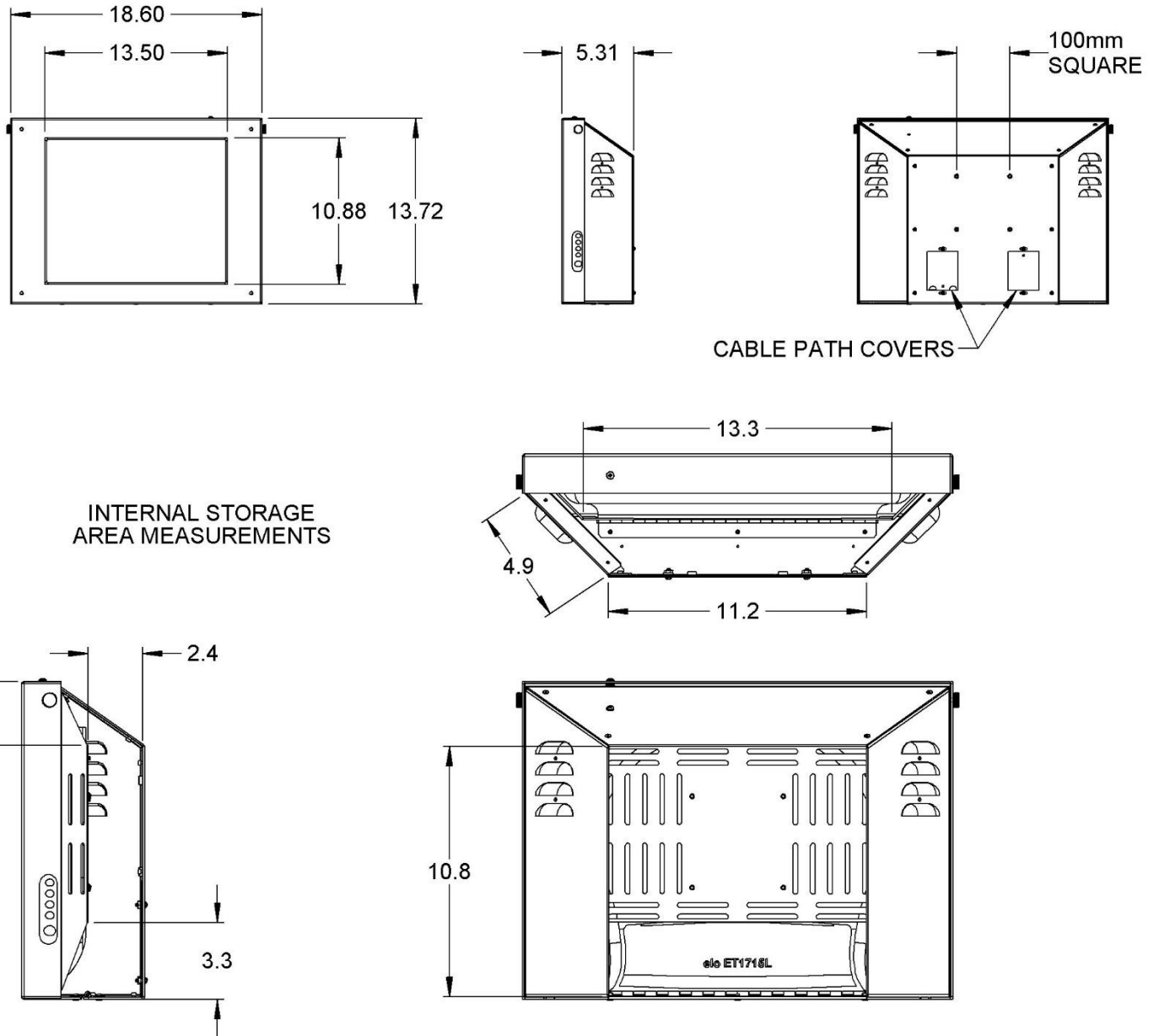


QSR REMOTE DISPLAY CONTROLLER OR THIN CLIENT, QSR POWER SUPPLY AND MONITOR POWER SUPPLY (NOT INCLUDED) SECURES TO THE PLATE WITH CABLE TIES AND HOOK AND LOOP STRAPPING



PRODUCT SPECIFICATIONS:

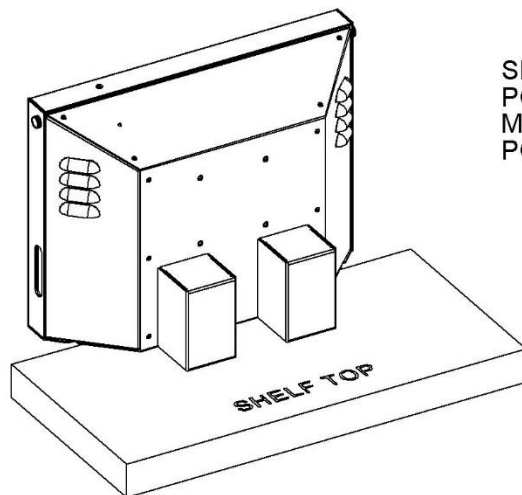
- Enclosure supports elo 17" Touchscreen Monitors Model # E1715L;
Width 18.6 in (472mm) x Depth 5.3 in (135mm) x Height: 13.7 in (348mm)



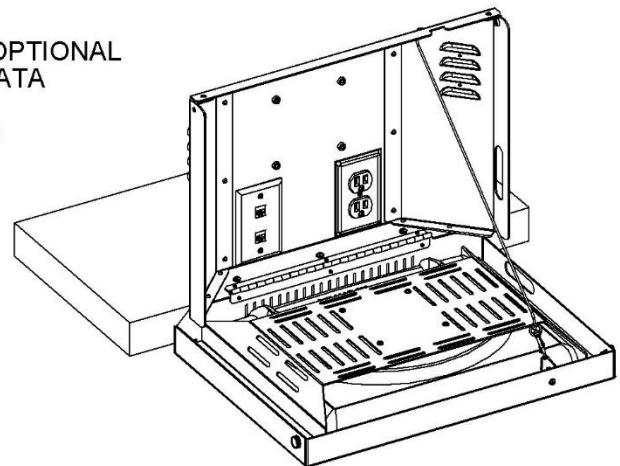
PRODUCT SPECIFICATIONS

General Features

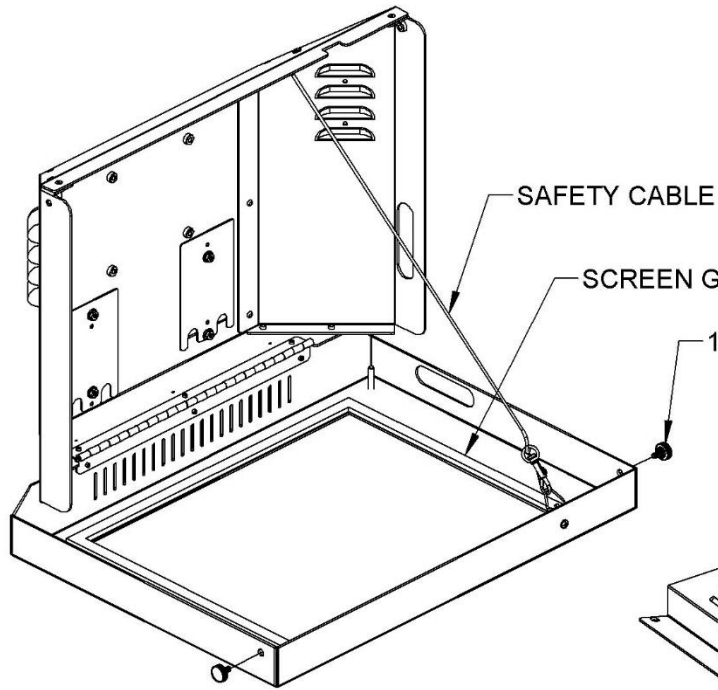
- This Shelf Edge or Countertop Enclosure mount can be used as a universal support system for the elo E1715L touchscreen for Point of Sale / POS, Kitchen Display Systems / KDS in commercial kitchens, retail, restaurants, offices, industry, shops, medical, maritime, schools, laboratory and many other applications.
- Meets NEMA Type 2 rating - Enclosures constructed for indoor use to provide a degree of protection to personnel against access to hazardous parts; to provide a degree of protection of the equipment inside the enclosure against ingress of solid foreign objects (falling dirt); and to provide a degree of protection with respect to harmful effects on the equipment due to the ingress of water (dripping and light splashing).
- No modification to the terminal's power cables associated hardware or to the terminal itself is required for installation.
- A heavy duty hinged back panel opens without tools and allows full access to the interior without removing the enclosure from the mounting system.
- A slot on the bottom allows access to the monitor controls.
- Ventilation slots on the bottom allow for plenty of air to enter the enclosure.
- Downward facing louvers are located along both sides to keep falling liquids and dust from entering while allowing for passive ventilation.
- Close fitting neoprene gaskets surround the entire edge of the terminal's screen to seal it against liquid entry.
- Includes an internal mounting plate to hold the power supplies, display controllers, and all extra cabling.
- To order the enclosure in Aluminum with a chrome metallic powder coated finish use PN 80403-AL.
- The enclosure can be secured closed with either tool less thumbscrews or security screws and the included wrench.



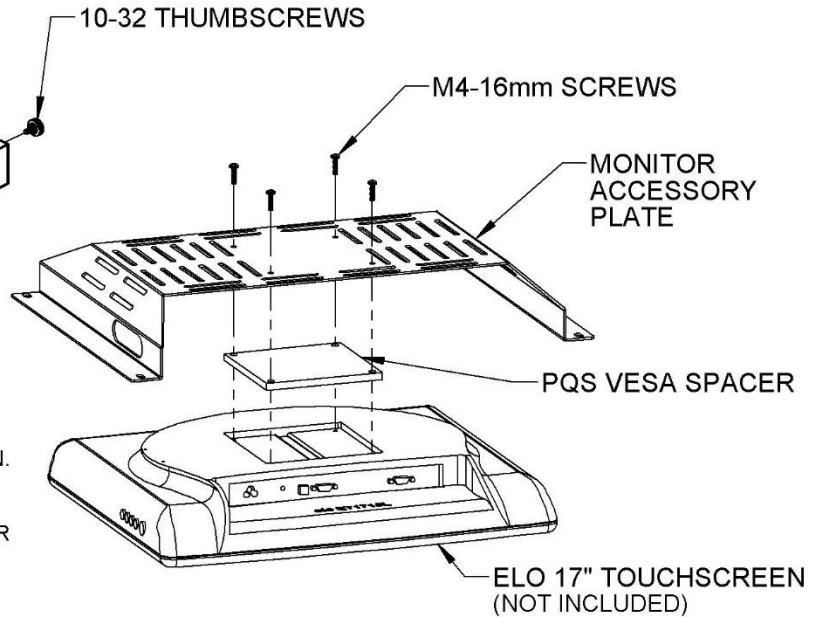
SHOWN WITH OPTIONAL
POWER AND DATA
MONUMENTS
PQS P/N: 67013



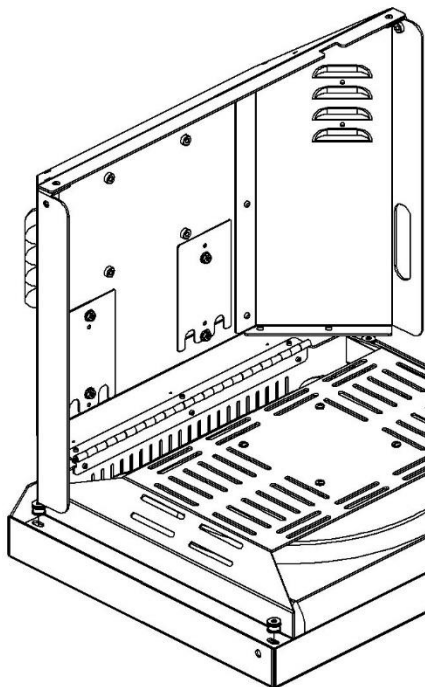
INSTALLATION INSTRUCTIONS



- ① REMOVE THUMBSCREWS TO OPEN THE BACK COVER.
- ② DISCONNECT SAFETY CABLE
DISCONNECT SNAP CLIP END OF SAFETY CABLE FROM THE ENCLOSURE BODY.

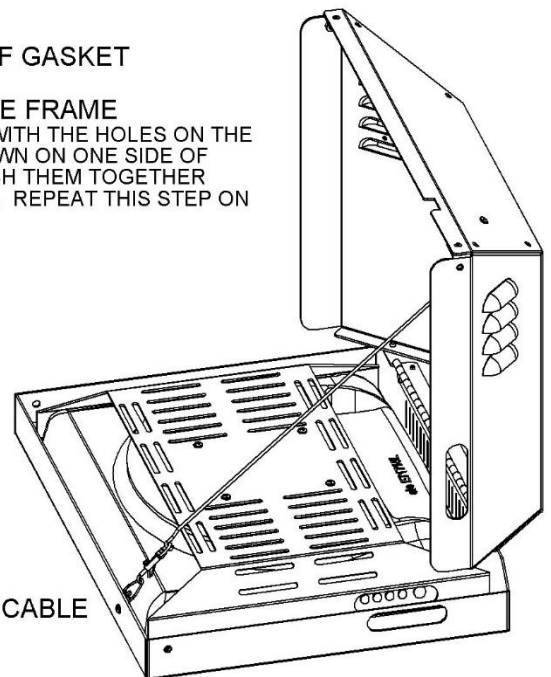


- ③ INSERT VESA SPACER OVER THE VESA PATTERN ON THE SCREEN.
- ④ ALIGN THE ACCESSORY PLATE OVER THE MONITOR AND THE VESA SPACER AND ATTACH THEM TOGETHER WITH THE M4-16mm SCREWS.



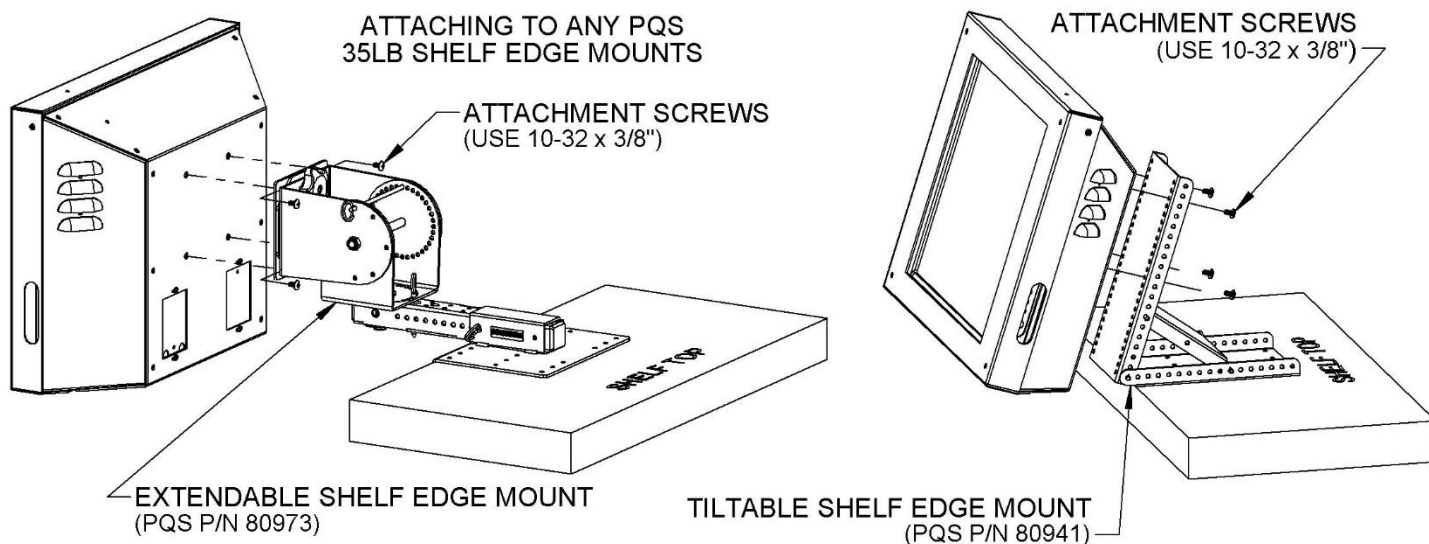
- ⑤ PLACE SCREEN ON TOP OF GASKET
- ⑥ ATTACH THE PLATE TO THE FRAME
ALIGN ONE SIDE OF THE PLATE WITH THE HOLES ON THE FRAME BY PUSHING GENTLY DOWN ON ONE SIDE OF THE MONITOR PLATE AND ATTACH THEM TOGETHER WITH TWO 10-32 x 3/16" SCREWS. REPEAT THIS STEP ON THE OTHER SIDE.

10-32 THUMBNUTS



- ⑦ RE-ATTACH SAFETY CABLE

MOUNTING OPTIONS:



WARNING: If using any PQS mounting product, please refer to that product's installation instructions to correctly install the mount. PQS recommends installation by a professional.

- Enclosures mount to any 100mm VESA compatible pan and tilt head (note: because of the combined weight of the enclosure and terminal (24lbs) we recommend mounting to one of our **PQS 35LB Mounting Systems**).
- This assembly can also be integrated to any of our *35lb Mounting Products* to create a support solution for any mounting location.
- **PQS** offers several mounting options for our *AnyPlace Kiosk Monitor Enclosures* and other medium duty 35LB mounting products.

We believe in ethical SEO relevancy; the following section was included to assist the all-knowing algorithms in locating this page; however, some humans like it too.

- VESA wall mount, VESA wall mounting bracket, VESA wall mount bracket, Screen wall mount, screen wall mounting bracket, screen wall mount bracket, monitor wall mount, monitor wall mounting bracket.
- Monitor wall mount bracket, POS terminal wall mount, POS terminal wall mounting bracket, POS terminal wall mount bracket, Point of Sale POS terminal wall mount, Point of Sale terminal wall mounting bracket.
- Point of Sale terminal wall mount bracket, KDS wall mount, KDS wall mounting bracket, KDS wall mount bracket, Kitchen Display System wall mount, Kitchen Display System wall mounting bracket. Kitchen Display System wall mount bracket, Kitchen production System wall mount, Kitchen Monitor wall mount.
- Kitchen video wall mount. Touchscreen wall mount, All in One PC wall mount, Healthcare monitor wall mount, Industrial process monitor wall mount, Kiosk wall mount, Office monitor wall mount, manufacturing process monitor wall mount.

This screen mounting system is compatible with the following POS systems:

- Lightspeed, logic controls, NCR, elotouch, posiflex, Poster POS, ehopper, Beetrionics, Tysso, favpng, Touch Dynamic, FastSpring, CAKE, Erply, Sapaad, Upserve, Salesforce Commerce Cloud, Block, Miva Merchant, Epos Now, QuickBooks POS, Shopify, VEND, Revel, Clover, CovaPOS, Oracle NETSUITE, MICROS, GoDaddy, Helcim, Epos Now, Upserve POS, Elo, CardConnect, NCR, ALOHA, SQUARE, Posnation, KORONA POS, BEMETECH, toast, Touchbistro, LAVU, Partnertech.

Interactive Catalog of Enclosures for Touchscreen, Monitors and Thin Clients

These mounts are included in the [Enclosures for Touchscreen, Monitors and Thin Clients](#) product group pages on our website.

For more information; click on the images or descriptions to visit the individual product pages on our website. PDF Product Information Sheets are available at the Product Attachments tab on each product page.

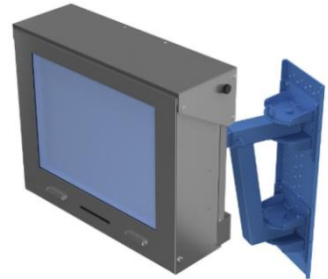
[Practical Quality Systems Home Page](#)



[PN 80400-SS - 17-19" Universal Monitor and Thin Client Environmental Enclosure \(Stainless Steel\)](#)



[PN 80401-SS - 20-24" Universal Monitor and Thin Client Environmental Enclosure \(Stainless Steel\)](#)



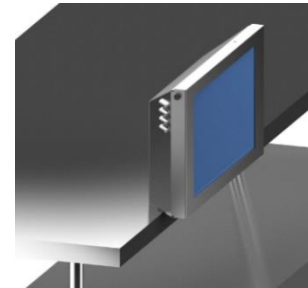
[PN 80402-SS - IBM TOSHIBA 4838 15 IN Anyplace Kiosk Enclosure \(Stainless Steel\)](#)



[PN 80403-AL - ELO 22" \(elo #E107766, ELO 2201L and ELO 22 inch I series\) Touchscreen + Thin Client Enclosure](#)



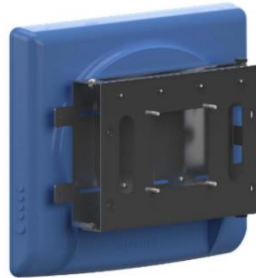
[PN 80403-SS - ELO 22" \(elo #E107766 or 2201L\) Touchscreen + Thin Client Enclosure \(stainless steel\)](#)



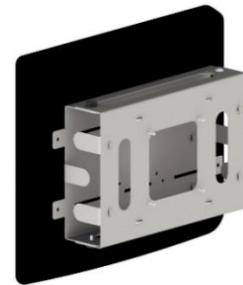
[PN 80404-AL - Elo 17" \(elo #E1715L\) Touchscreen + Thin Client Enclosure \(Chrome Painted Aluminum\)](#)



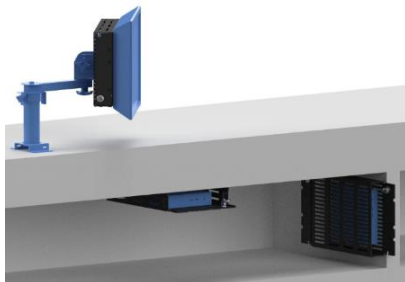
[PN 80405-AL - ELO 19 IN E1919L Touchscreen Enclosure](#)



[PN 80600-BLK - Back of Screen Storage Enclosure 100mm VESA - Black](#)



[PN 80600-CH - Back of Screen Storage Enclosure 100mm VESA - Chrome](#)



[PN 80640 - Universal Thin Client Security Enclosure](#)

Interactive Catalog of Product Sub Groups

There are many individual products included in the various product sub groups featured on these pages.

Click on the images or descriptions to visit the individual product sub group pages on our website.

For Information about individual products; click on the "Product Attachments" tab on each of the individual product pages.

[Practical Quality Systems Home Page](#)



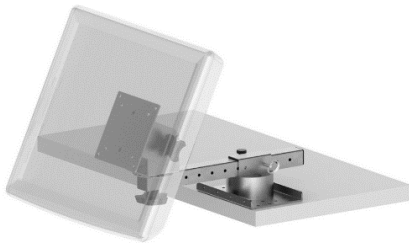
[Wall Mounts for Screens](#)



[Wall Mounts for POS Printers](#)



[Wall Mounts for Screens and POS Printers](#)



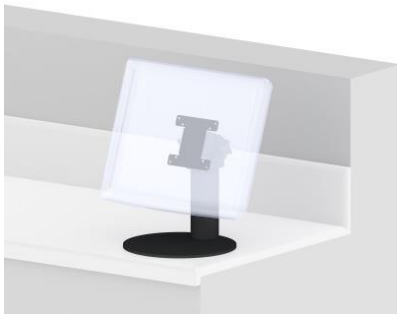
[Shelf Edge Mounts for Screens](#)



[Shelf Edge Mounts for POS Printers](#)



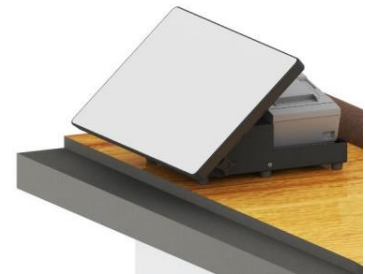
[Shelf Edge Mounts for Screens and POS Printers](#)



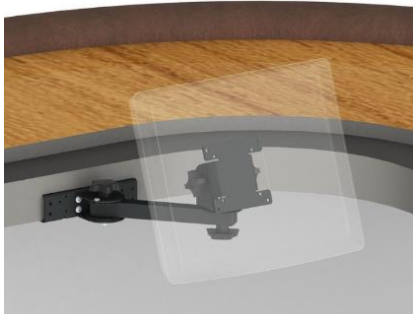
[Counter Top Mounts for Screens](#)



[Counter Top Mounts for POS Printers](#)



[Counter Top Mounts for Screens and POS Printers](#)



[Under Counter Mounts for Screens](#)



[Under Counter Mounts for POS Printers](#)



[Under Counter Mounts for Screens and POS Printers](#)

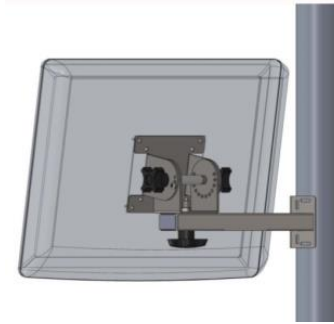
Interactive Catalog of Product Sub Groups

There are many individual products included in the various product sub groups featured on these pages.

Click on the images or descriptions to visit the individual product sub group pages on our website.

For Information about individual products; click on the "Product Attachments" tab on each of the individual product pages.

[Practical Quality Systems Home Page](#)



[Pole Mounts for Screens](#)



[Pole Mounts for POS Printers](#)



[Ceiling Mounts for Screens](#)



[Oracle MICROS Mounting Systems](#)



[NCR Aloha KDS Mounting Solutions](#)



[QSR KDS Mounting Solutions](#)



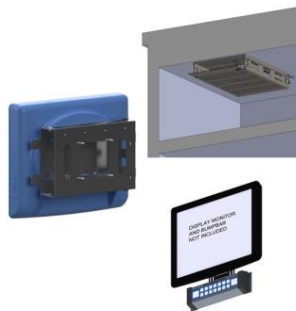
[Logic Controls Bematech KDS Mounting Solutions](#)



[Universal Kitchen Display System Mounting Packages](#)



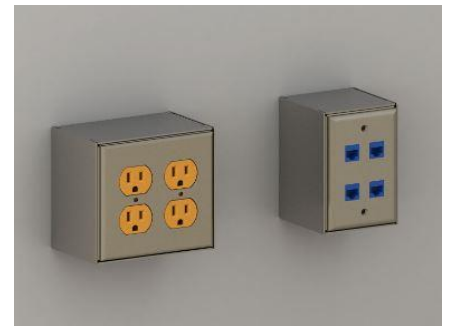
[Enclosures for Touchscreen, Monitors and Thin Clients](#)



[Back Of Screen VESA Mounts for Controllers, Thin Clients, Bump Bars, Tap+ Touch + EMV Readers](#)



[Stainless Steel Wireways](#)



[Stainless Steel Power and Data Outlet Monuments](#)

Interactive Catalog of Product Sub Groups

There are many individual products included in the various product sub groups featured on these pages.

Click on the images or descriptions to visit the individual product sub group pages on our website.

For Information about individual products; click on the "Product Attachments" tab on each of the individual product pages.

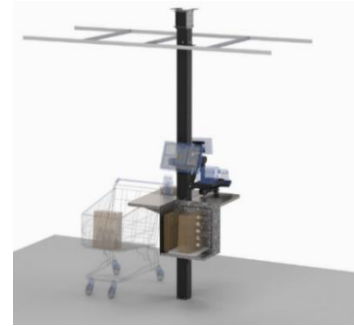
[Practical Quality Systems Home Page](#)



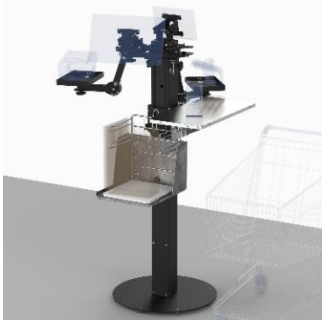
[Movable Countertop POS Stands](#)



[Direct Mount Countertop POS Stands](#)



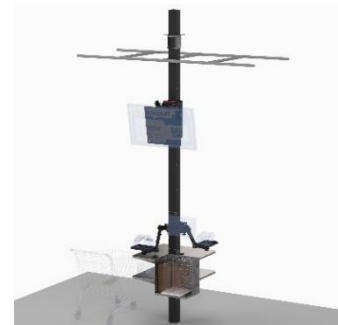
[POS Cashier Pole Stands](#)



[POS Cashier Floor Stands](#)



[POS Self-Check Out Kiosk Floor Stands](#)



[POS Self-Check Out Kiosk Pole Stands](#)



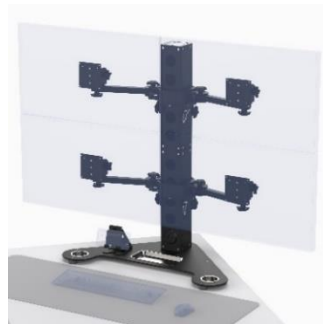
[Take Out Pickup Pole Stands](#)



[Take Out Pickup Floor Stands](#)



[Information Kiosk Floor Stands](#)



[Desktop Multi-Screen Pedestal Stands](#)



[4X4 Pole Clamp on Mounts](#)

**New Product
Coming Q3
2023**

[Mobile Cashier Stands](#)

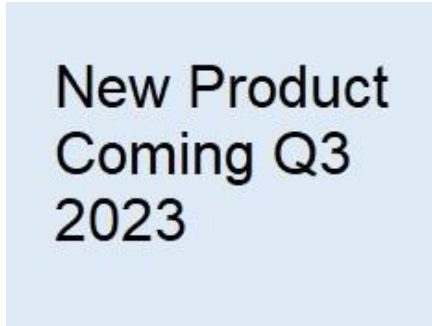
Interactive Catalog of Product Sub Groups

There are many individual products included in the various product sub groups featured on these pages.

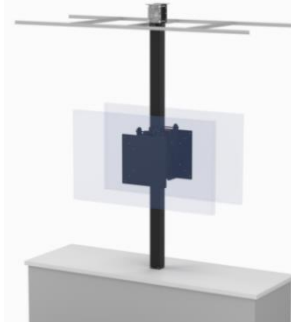
Click on the images or descriptions to visit the individual product sub group pages on our website.

For Information about individual products; click on the "Product Attachments" tab on each of the individual product pages.

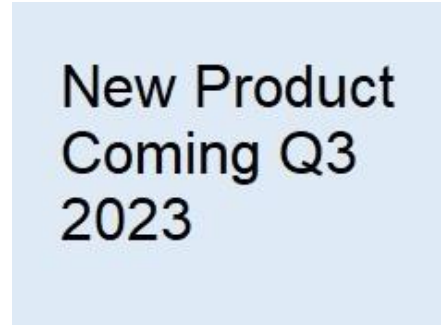
[Practical Quality Systems Home Page](#)



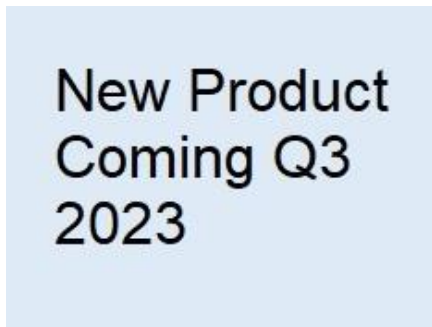
Mobile Self-Check Out Stands



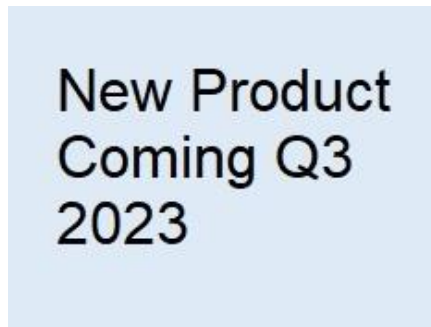
[Digital Signage Pole Stands](#)



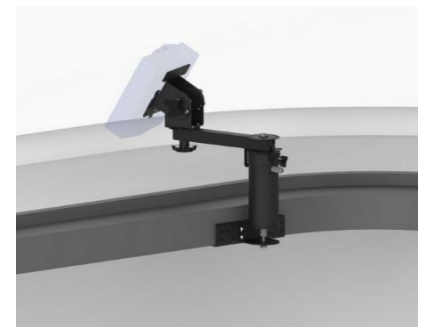
Stationary Podiums



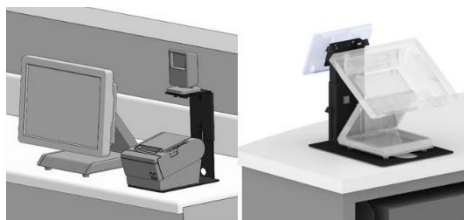
Stationary Podiums with Ceiling Feed Pole



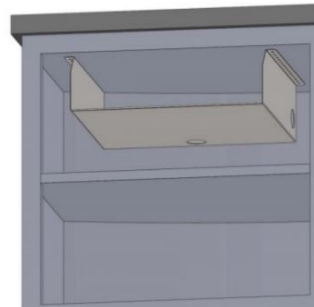
Mobile Podiums



[Ingenico Lane Reader Mounting Systems](#)



[Other Counter Top Mounts](#)



[Cash Drawer Mounting Solutions](#)