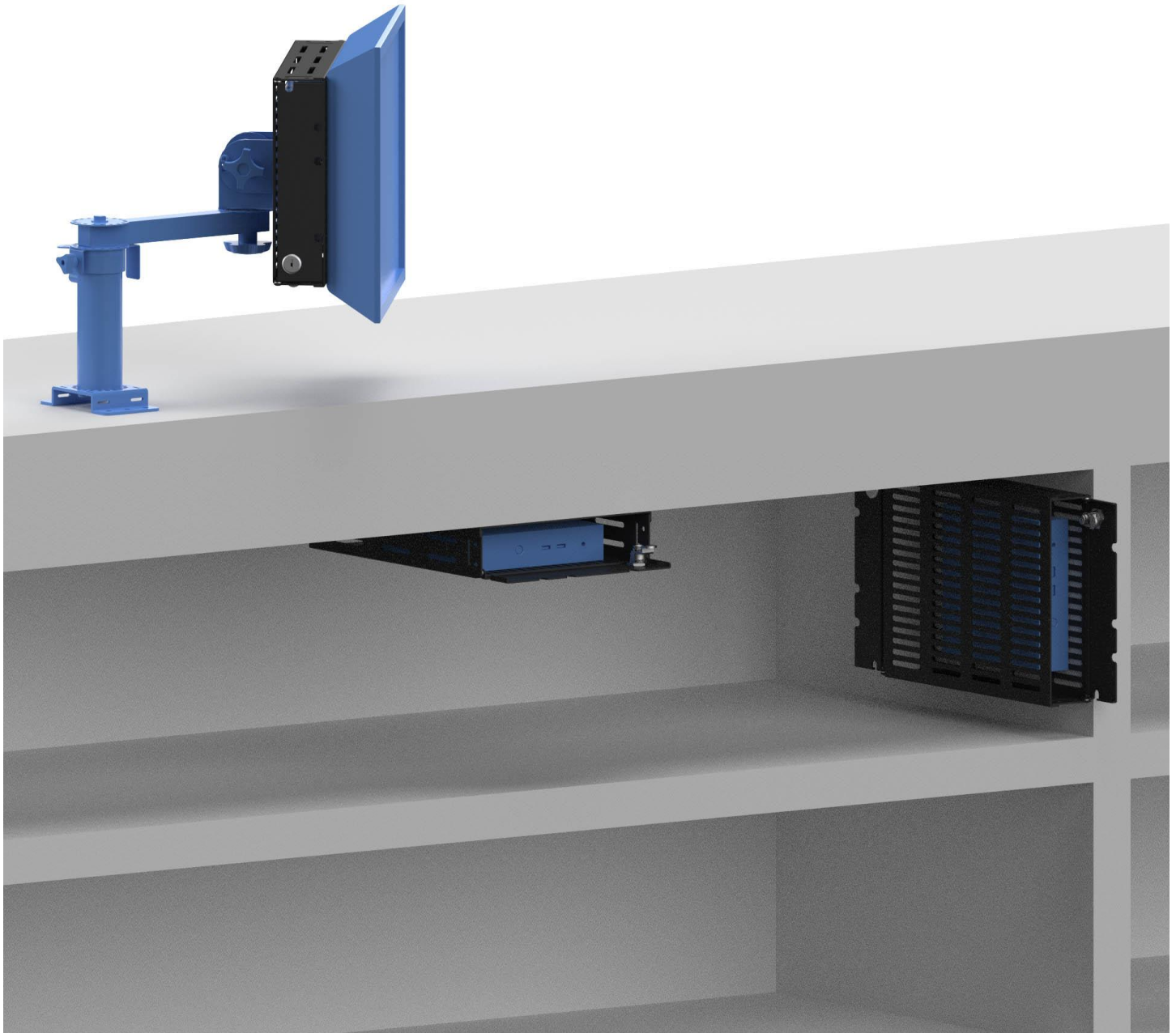
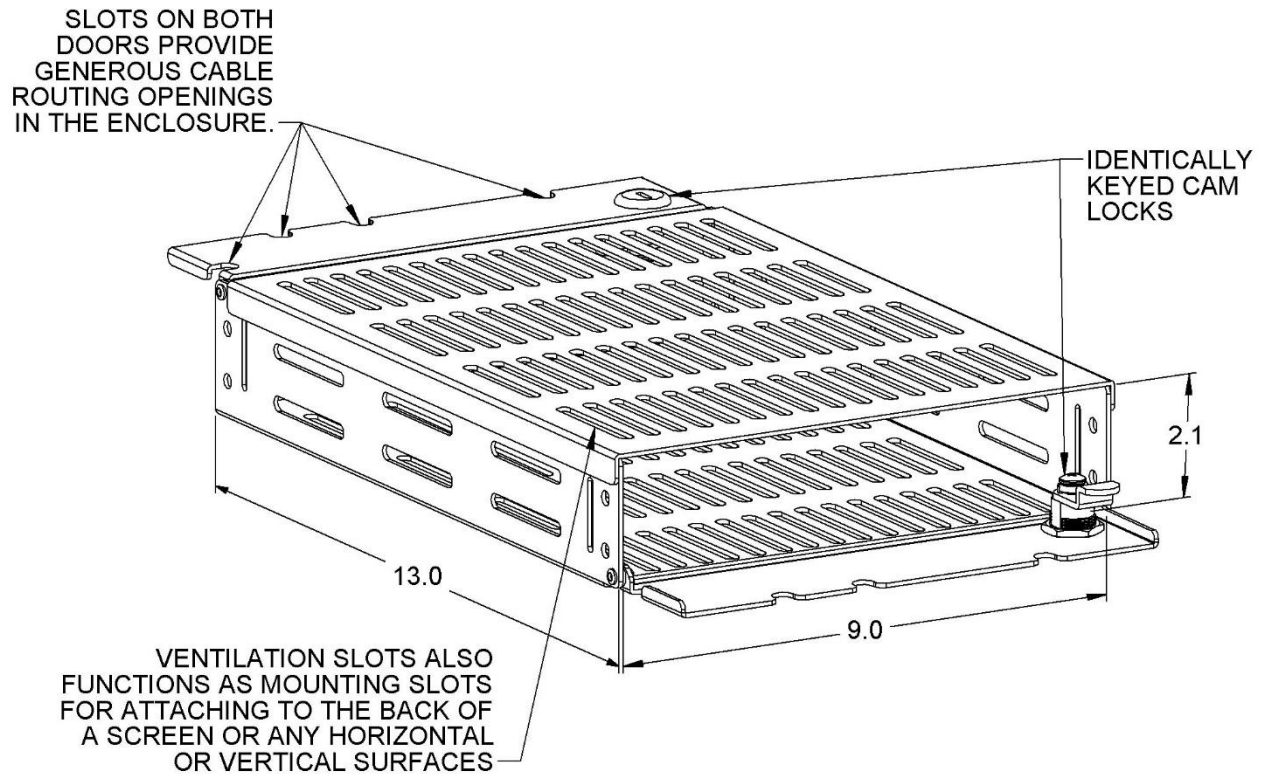


PQS

PRACTICAL QUALITY SYSTEMS
Fast Custom Manufacturing - Nationwide Installation Services





PRODUCT SPECIFICATIONS

General Features

- This Wall, Shelf Edge, Countertop, under counter or back of screen enclosure mount can be used as a universal support system for most Thin Clients and Display Controllers and their associated cabling for Point of Sale / POS, Kitchen Display Systems / KDS in commercial kitchens, retail, restaurants, offices, industry, shops, medical, maritime, schools, laboratory and many other applications.
- This hardware and bracket assembly supports up to 20 lbs.
- This assembly is designed to support and secure The enclosure can be attached flat to any horizontal or vertical surface.
- The enclosure can be attached vertically on edge to any horizontal surface.
- The enclosure can installed between the back of any 75,100 or 200mm VESA compatible screen and mounting system.
- The access door is secured with a cam lock and key.
- Cam locks can all be keyed alike and the locks are on both the front and rear access door.
- Cable openings on the rear and front access door are large enough to allow passage for the cables of HDMI, VGA, DVI or USB connectors.
- All six sides of the enclosure feature arrays of slots to permit maximum passive ventilation.
- Made of 14 gauge cold rolled steel with semi-gloss black powder coat finish.
- Interior dimensions: 2.1"H x 9.0"W x 13.0"D
- Exterior dimensions: 2.3"H x 9.2"W x 13.1"D.

We believe in ethical SEO relevancy; the following section was included to assist the all-knowing algorithms in locating this page; however, some humans like it too.

- Industrial computer Enclosure, Industrial computer VESA Mount, Industrial computer, Industrial computer Housing, industrial computer Mounting bracket, Industrial computer Monitor Mount, Thin client Housing.
- Thin client Enclosure, Mini PC Enclosure, Mini computer Enclosure, Mini computer Housing, Minicomputer Enclosure, Thin client VESA Mount, Mini PC VESA Mount, Mini PC Housing, Mini computer VESA Mount.
- Mini computer Housing, Minicomputer VESA Mount, Minicomputer Housing, thin client Mounting bracket, Mini PC Mounting bracket, Mini computer Mounting bracket, minicomputer Mounting bracket, Thin client Mount, Mini PC Mount.
- Mini computer Mount, minicomputer Mount, Thin client Monitor Mount, Mini PC Monitor Mount, Mini computer Monitor Mount, Minicomputer Monitor Mount, Thin client Mounting bracket, Mini PC Mounting bracket.
- Mini computer Mounting bracket, Minicomputer Mounting bracket, KDS controller Enclosure, KDS controller Housing, KDS controller VESA Mount, KDS controller Mounting bracket, KDS controller Mount, KDS controller Monitor Mount.
- Kitchen display System controller Enclosure, Kitchen display System controller Housing, Kitchen display System controller VESA Mount, Kitchen display System controller Mounting bracket, Kitchen display System controller Mount.
- Kitchen display System controller Monitor Mount, LITTLEPCS Enclosure, LITTLEPCS Housing, LITTLEPCS VESA Mount, LITTLEPCS Mounting bracket, LITTLEPCS Mount, LITTLEPCS Monitor Mount, Small Form Factor PCs Enclosure.
- Small Form Factor PCs Housing, Small Form Factor PCs VESA Mount, Small Form Factor PCs Mounting bracket, Small Form Factor PCs Mount, Small Form Factor PCs Monitor Mount.

This screen mounting system is compatible with the following POS systems :

- Lightspeed, logic controls, NCR, elotouch, posiflex, Poster POS, ehopper, Beetronics, Tysso, favpng, Touch Dynamic, FastSpring, CAKE, Erply, Sapaad, Upserve, Salesforce Commerce Cloud, Block, Miva Merchant, Epos Now, QuickBooks POS, Shopify, VEND, Revel, Clover, CovaPOS, Oracle NETSUITE, MICROS, GoDaddy, Helcim, Epos Now, Upserve POS, Elo, CardConnect, NCR, ALOHA, SQUARE, Posnation, KORONA POS, BEMETECH, toast, Touchbistro, LAVU, Partnertech.

Partial list of Compatible Touchscreen Monitors

- elo Touchscreen Monitor 0702L, 1002L, 1302L, 1502L, 2002L, 2202L, 2201L, 2402L, 2702L, 1515L, 1517L, 1523L, 1715L, 1717L, 1723L, 1902L, 1915L.
- elo Touchscreen Monitor Medical Grade 1903LM, 2203LM 22", 2403LM 24", 2703LM 27".
- Viewsonic Touch screens TD3207, TD1630-3, TD2223, TD2230, TD2423, TD2430, TD2760.
- Beetronics Inc. touchscreens 7TS7M, 8TSV7M, 10TS7, 10TSV7M, 10TS7M, 12TS7, 12TSV7M, 12TS7M, 13TS7, 13TS7M, 15TS7, 15TSV7M, 15TS7M, 17TSV7M, 17TS7M, 19TSV7M, 19TS7M, 22TS7M, 24TS7M.
- Planar Touch Screen Monitors Helium PCT2265, PT2245PW, Helium PCT2235, PXL2230MW, PT1945P, PT1945R, PT1745P, PT1545P, PT1545R.

Partial list of Compatible Touchscreen Computers, Interactive displays, All-in-One PCs

- elo Touchscreen Computer and Interactive displays 10-inch I-Series 4 for Android E389883, E411266, E390647, E411643.
- elo Touchscreen Computer and Interactive displays 15-inch I-Series 4 for Android E390075, E412033, E391032, E412421.
- elo Touchscreen Computer and Interactive displays 22-inch I-Series 4 for Android E390263, E412818, E391414, E413211.
- elo Touchscreen Computer and Interactive displays 15-inch I-Series for Windows (2.0) E691852, E692048, E850204, E850003, E692244, E692448.
- elo Touchscreen Computer and Interactive displays 22-inch I-Series for Windows (2.0) E692640, E692837, E850591, E850387, E693022, E693211.
- elo 15-inch (4:3) EloPOS Systems E931330, E931524, E590979, E494164, E587032, E931706, E931896, E590570, E494361, E932090, E932274, E407443, E485078, E590763.
- elo 15-inch (16:9) EloPOS Systems E440439, E440234, E397891, E441010, E440808, E441385, E441193, E441781, E441575, E262258, E397698, E263402, E442161, E441968, E442550, E442365, E892954, E841559, E877703, E892761, E935572, E935367, E841357, E395937, E935967, E935775, E407627, E880567, E396134, E727037, E936365, E936163, E936750, E936556, E536624, E939305, E939498.
- elo 17-inch (5:4) EloPOS Systems E402183, E401992, E485278, E484096, E491271, E402576, E402382, E484495, E484291, E491458, E402963, E402781, E484700, E484896.
- 22-inch EloPOS Systems E937154, E936953, E413988, E414192, E511988, E937523, E937340, E612017, E375459, E410884, E910541, E397507, E511785, E937919, E937720, E938297, E938113, E560404, E417915.
- Dell All-in-one OptiPlex 3290, OptiPlex 3090, OptiPlex 7490, OptiPlex 7780, OptiPlex 5480, OptiPlex 5490, Inspiron 24 5000, Inspiron 27 7000.
- HP, HP Chromebase, Envy, AIO, Pavilion, Office 365, All-in-One - 2Z1Z3AV_1, 20W72AA#ABA, 20W60AA#ABA, 3UQ98AA#ABA, 20W59AA#ABA, 20W58AA#ABA, 3UR17AA#ABA, 20W57AA#ABA, 10M73AV_1, 8AJ56AV_1, 3UR10AA#ABA, 20W66AA#ABA, 3UQ97AA#ABA, 22_AiO_O365P_Kit, 3UQ96AA#ABA, 8AJ03AV_1, 3UR18AA#ABA, 3UR02AA#ABA.
- Lenovo IdeaCentre, ThinkCentre F0E5002DUS, F0FQ0008US, F0EX0001US, F0FB001RUS, F0FB0077US, F0FB007FUS.
- Cybernet iOne S24, iOne S22, iOne S20, iOne S19.

Interactive Catalog of Back of Screen VESA Mounts for Controllers, Thin Clients, Bump Bars, Tap Readers, Touch Readers and EMV Readers

These mounts are included in the [“Back Of Screen VESA Mounts for Controllers, Thin Clients, Bump Bars, Tap Readers, Touch Readers And EMV Readers”](#) product group pages on our website.

For more information; click on the images or descriptions to visit the individual product pages on our website.

PDF Product Information Sheets are available at the Product Attachments tab on each product page.

[Practical Quality Systems Home Page](#)



[PN 80064 - Back of screen mount for QSR bumpbar 75/100mm VESA](#)



[PN 80500 - Universal Back of Screen Controller Mount 75/100mm VESA](#)



[PN 80501 - Universal Back of Screen Controller Mount for MICROS 166 RDC or 210 KDC 75-100mm VESA](#)



[PN 80505 - Bump bar mounting bracket for Logic Controls KB1700 bump bar](#)



[PN 80510 - Universal Back of Screen Power Supply Holder](#)



[PN 80510-310 - Back of screen power supply holder for the Oracle MICROS compact workstation 310](#)



[PN 80535 - NCR Bumpbar Model #1635 Quick Attachment Bracket](#)



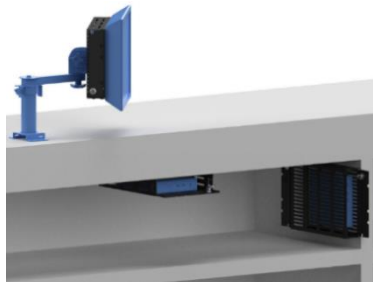
[PN 80536 - Universal Back of Screen Bump Bar Mount for the NCR Aloha 1635 Bump Bar 75/100mm VESA](#)



[PN 80600-BLK - Back of Screen Storage Enclosure 100mm VESA - Black](#)



[PN 80600-CH - Back of Screen Storage Enclosure 100mm VESA - Chrome](#)



[PN 80640 - Universal Thin Client Security Enclosure](#)



[PN 81639 - Logic Controls Bematech KB9000 Bump Bar VESA Mount Kit](#)

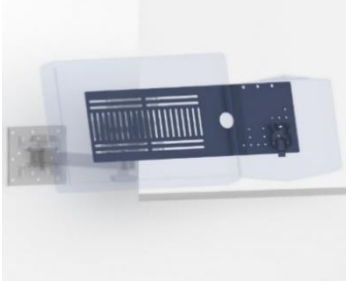
Interactive Catalog of Back of Screen VESA Mounts for Controllers, Thin Clients, Bump Bars, Tap Readers, Touch Readers and EMV Readers

These mounts are included in the [“Back Of Screen VESA Mounts for Controllers, Thin Clients, Bump Bars, Tap Readers, Touch Readers And EMV Readers”](#) product group pages on our website.

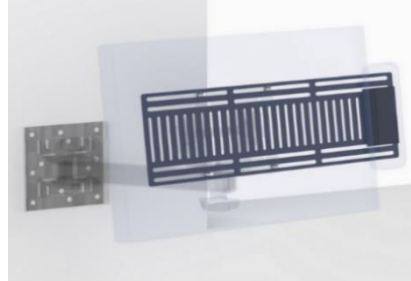
For more information; click on the images or descriptions to visit the individual product pages on our website.

PDF Product Information Sheets are available at the Product Attachments tab on each product page.

[Practical Quality Systems Home Page](#)



[PN 81640 - Ingenico Lane 3000-8000 Reader VESA Mounting Plate Kit](#)



[PN 81641 - Universal Tap Touch Reader VESA Mounting Plate Kit](#)

Interactive Catalog of Product Sub Groups

There are many individual products included in the various product sub groups featured on these pages.

Click on the images or descriptions to visit the individual product sub group pages on our website.

For Information about individual products; click on the "Product Attachments" tab on each of the individual product pages.

[Practical Quality Systems Home Page](#)



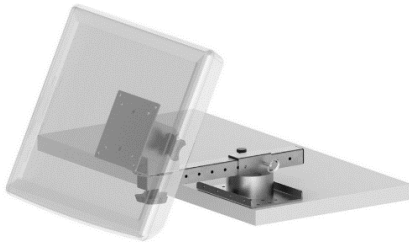
[Wall Mounts for Screens](#)



[Wall Mounts for POS Printers](#)



[Wall Mounts for Screens and POS Printers](#)



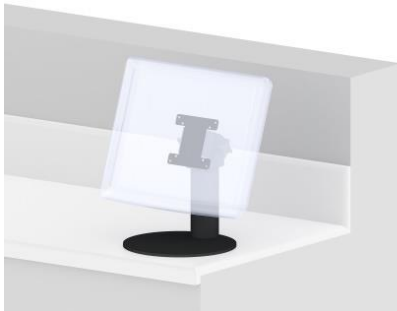
[Shelf Edge Mounts for Screens](#)



[Shelf Edge Mounts for POS Printers](#)



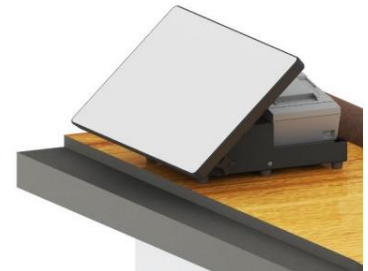
[Shelf Edge Mounts for Screens and POS Printers](#)



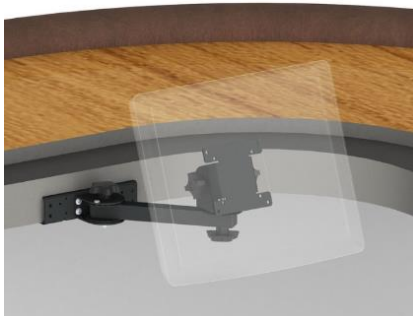
[Counter Top Mounts for Screens](#)



[Counter Top Mounts for POS Printers](#)



[Counter Top Mounts for Screens and POS Printers](#)



[Under Counter Mounts for Screens](#)



[Under Counter Mounts for POS Printers](#)



[Under Counter Mounts for Screens and POS Printers](#)

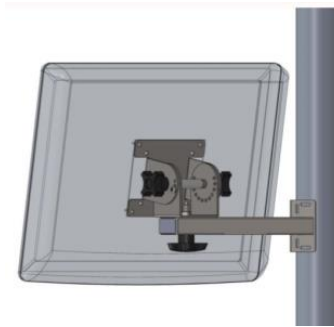
Interactive Catalog of Product Sub Groups

There are many individual products included in the various product sub groups featured on these pages.

Click on the images or descriptions to visit the individual product sub group pages on our website.

For Information about individual products; click on the "Product Attachments" tab on each of the individual product pages.

[Practical Quality Systems Home Page](#)



[Pole Mounts for Screens](#)



[Pole Mounts for POS Printers](#)



[Ceiling Mounts for Screens](#)



[Oracle MICROS Mounting Systems](#)



[NCR Aloha KDS Mounting Solutions](#)



[QSR KDS Mounting Solutions](#)



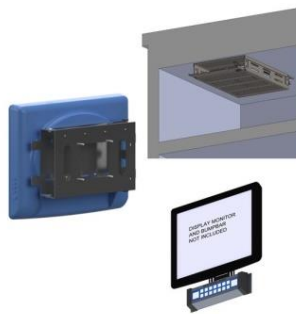
[Logic Controls Bematech KDS Mounting Solutions](#)



[Universal Kitchen Display System Mounting Packages](#)



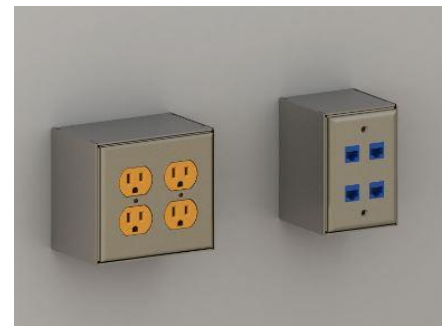
[Enclosures for Touchscreen, Monitors and Thin Clients](#)



[Back Of Screen VESA Mounts for Controllers, Thin Clients, Bump Bars, Tap+ Touch + EMV Readers](#)



[Stainless Steel Wireways](#)



[Stainless Steel Power and Data Outlet Monuments](#)

Interactive Catalog of Product Sub Groups

There are many individual products included in the various product sub groups featured on these pages.

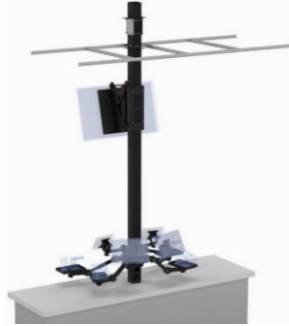
Click on the images or descriptions to visit the individual product sub group pages on our website.

For Information about individual products; click on the "Product Attachments" tab on each of the individual product pages.

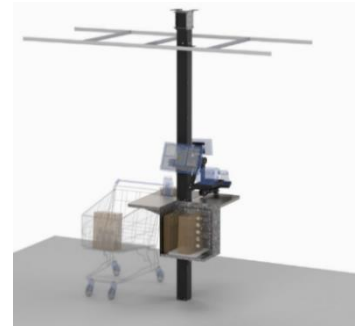
[Practical Quality Systems Home Page](#)



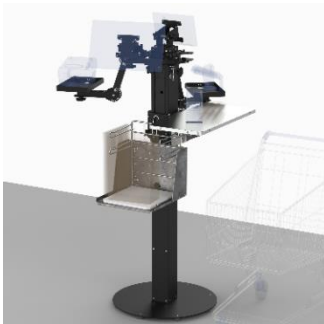
[Movable Countertop POS Stands](#)



[Direct Mount Countertop POS Stands](#)



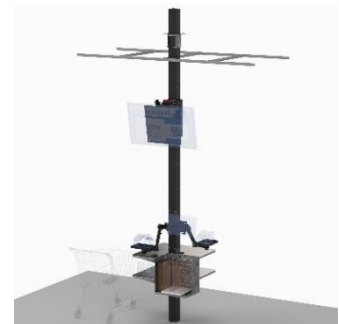
[POS Cashier Pole Stands](#)



[POS Cashier Floor Stands](#)



[POS Self-Check Out Kiosk Floor Stands](#)



[POS Self-Check Out Kiosk Pole Stands](#)



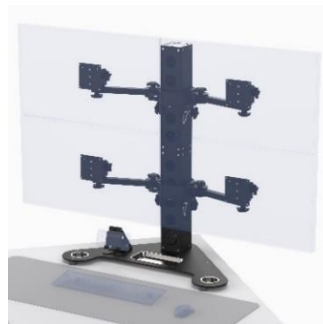
[Take Out Pickup Pole Stands](#)



[Take Out Pickup Floor Stands](#)



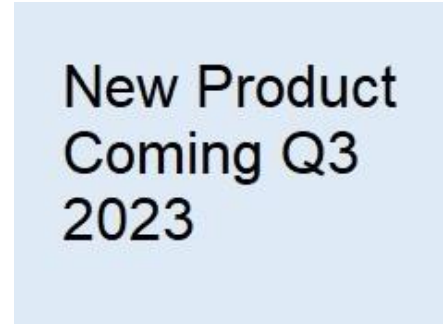
[Information Kiosk Floor Stands](#)



[Desktop Multi-Screen Pedestal Stands](#)



[4X4 Pole Clamp on Mounts](#)



[Mobile Cashier Stands](#)

Interactive Catalog of Product Sub Groups

There are many individual products included in the various product sub groups featured on these pages.

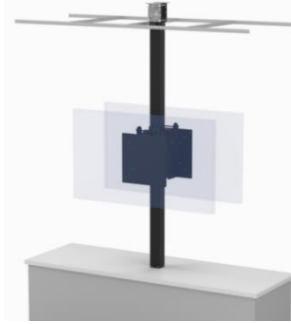
Click on the images or descriptions to visit the individual product sub group pages on our website.

For Information about individual products; click on the "Product Attachments" tab on each of the individual product pages.

[Practical Quality Systems Home Page](#)

New Product
Coming Q3
2023

Mobile Self-Check Out Stands



[Digital Signage Pole Stands](#)

New Product
Coming Q3
2023

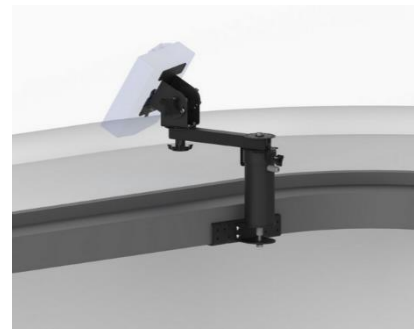
Stationary Podiums

New Product
Coming Q3
2023

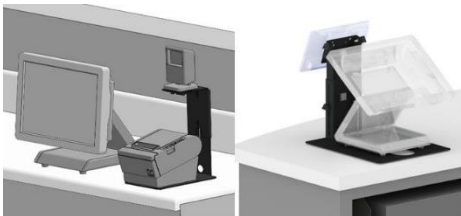
Stationary Podiums with Ceiling Feed Pole

New Product
Coming Q3
2023

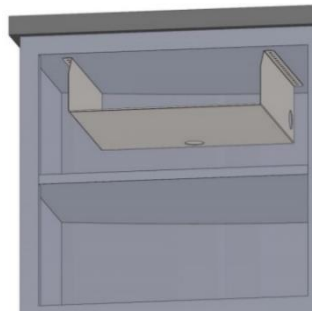
Mobile Podiums



[Ingenico Lane Reader Mounting Systems](#)



[Other Counter Top Mounts](#)



[Cash Drawer Mounting Solutions](#)