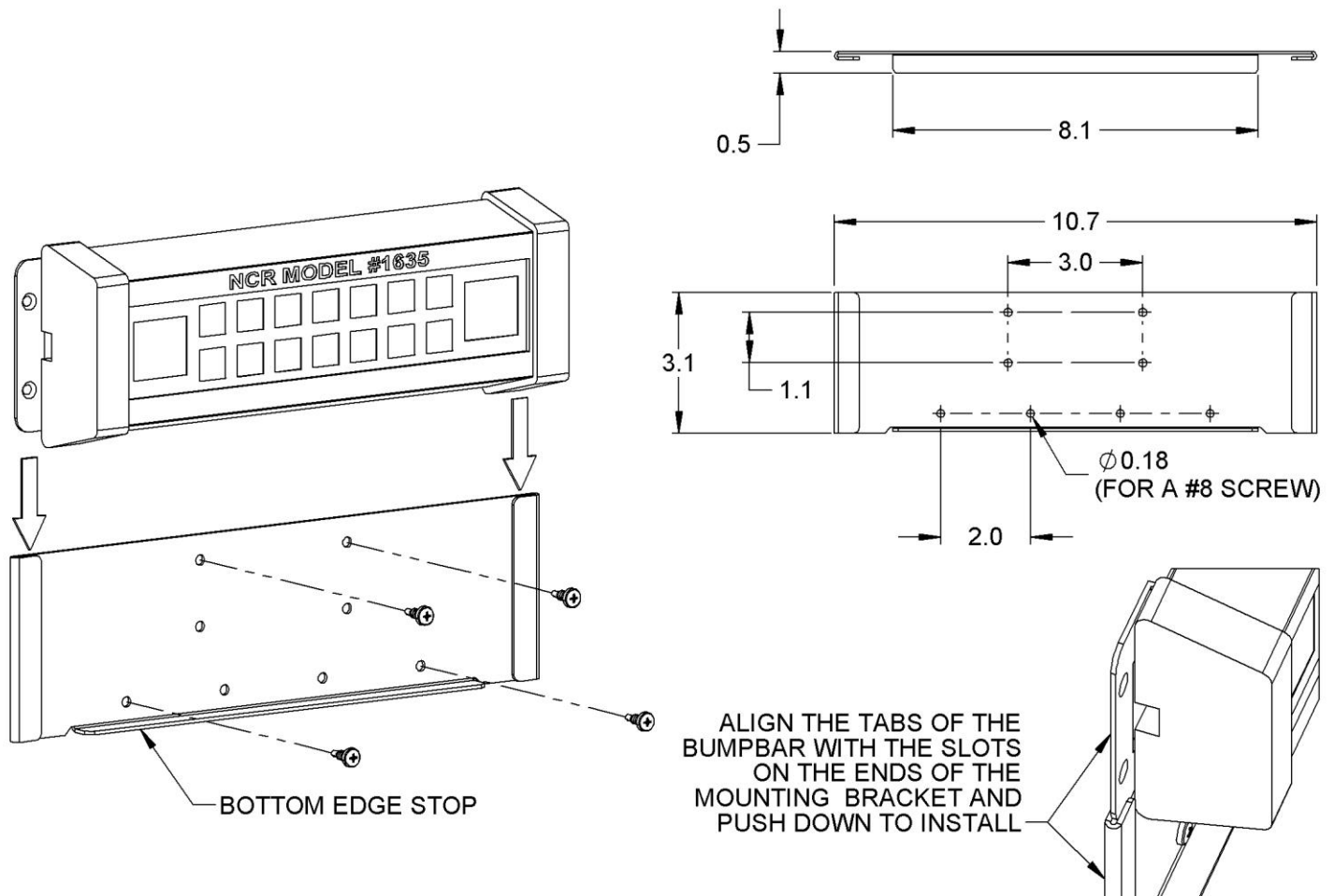


PQS

PRACTICAL QUALITY SYSTEMS

Fast Custom Manufacturing - Nationwide Installation Services





General Features

- This bracket is made specifically for mounting the NCR Model #1635 bumpbar.
- Attaches to a shelf edge or any other flat vertical surface.
- Made from aluminum and finished with a durable, chrome, high gloss powder coat that emulates the look of stainless steel
- Comes with four #8 x 1/2" long self tapping screws.

Interactive Catalog of Back of Screen VESA Mounts for Controllers, Thin Clients, Bump Bars, Tap Readers, Touch Readers and EMV Readers

These mounts are included in the [“Back Of Screen VESA Mounts for Controllers, Thin Clients, Bump Bars, Tap Readers, Touch Readers And EMV Readers”](#) product group pages on our website.

For more information; click on the images or descriptions to visit the individual product pages on our website.

PDF Product Information Sheets are available at the Product Attachments tab on each product page.

[Practical Quality Systems Home Page](#)



Screen and bump bar not included

[PN 80064 - Back of screen mount for QSR bumpbar 75/100mm VESA](#)



[PN 80500 - Universal Back of Screen Controller Mount 75/100mm VESA](#)



[PN 80501 - Universal Back of Screen Controller Mount for MICROS 166 RDC or 210 KDC 75-100mm VESA](#)



[PN 80505 - Bump bar mounting bracket for Logic Controls KB1700 bump bar](#)



[PN 80510 - Universal Back of Screen Power Supply Holder](#)



[PN 80510-310 - Back of screen power supply holder for the Oracle MICROS compact workstation 310](#)



[PN 80535 - NCR Bumpbar Model #1635 Quick Attachment Bracket](#)



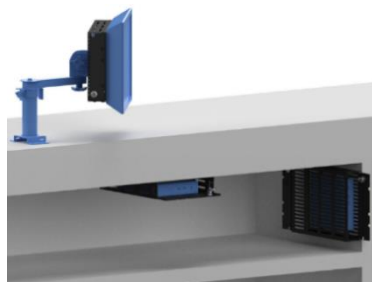
[PN 80536 - Universal Back of Screen Bump Bar Mount for the NCR Aloha 1635 Bump Bar 75/100mm VESA](#)



[PN 80600-BLK - Back of Screen Storage Enclosure 100mm VESA - Black](#)



[PN 80600-CH - Back of Screen Storage Enclosure 100mm VESA - Chrome](#)



[PN 80640 - Universal Thin Client Security Enclosure](#)



[PN 81639 - Logic Controls Bematech KB9000 Bump Bar VESA Mount Kit](#)

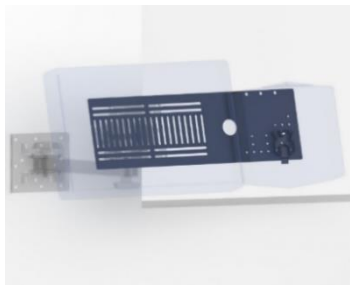
Interactive Catalog of Back of Screen VESA Mounts for Controllers, Thin Clients, Bump Bars, Tap Readers, Touch Readers and EMV Readers

These mounts are included in the [“Back Of Screen VESA Mounts for Controllers, Thin Clients, Bump Bars, Tap Readers, Touch Readers And EMV Readers”](#) product group pages on our website.

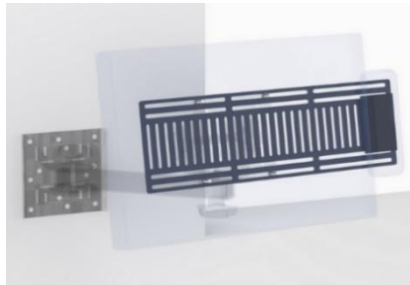
For more information; click on the images or descriptions to visit the individual product pages on our website.

PDF Product Information Sheets are available at the Product Attachments tab on each product page.

[Practical Quality Systems Home Page](#)



[PN 81640 - Ingenico Lane 3000-8000 Reader VESA Mounting Plate Kit](#)



[PN 81641 - Universal Tap Touch Reader VESA Mounting Plate Kit](#)

Interactive Catalog of Product Sub Groups

There are many individual products included in the various product sub groups featured on these pages.

Click on the images or descriptions to visit the individual product sub group pages on our website.

For Information about individual products; click on the "Product Attachments" tab on each of the individual product pages.

[Practical Quality Systems Home Page](#)



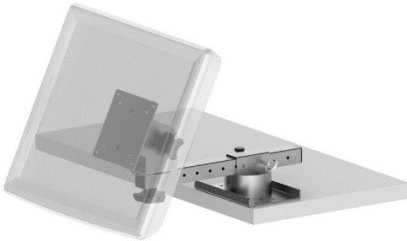
[Wall Mounts for Screens](#)



[Wall Mounts for POS Printers](#)



[Wall Mounts for Screens and POS Printers](#)



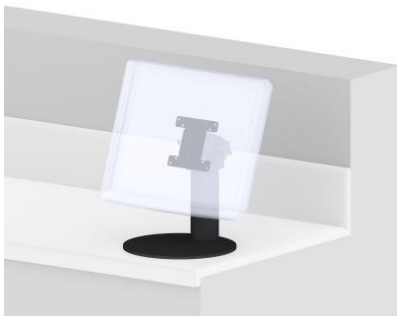
[Shelf Edge Mounts for Screens](#)



[Shelf Edge Mounts for POS Printers](#)



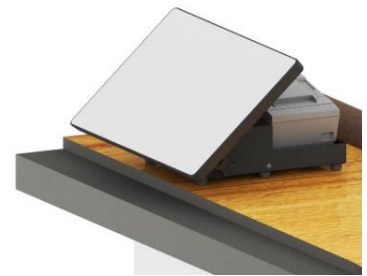
[Shelf Edge Mounts for Screens and POS Printers](#)



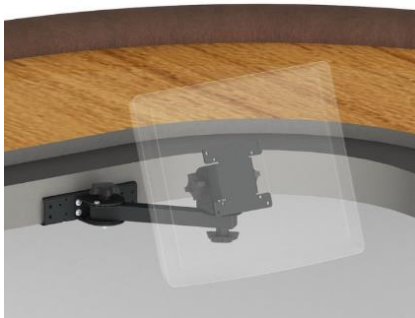
[Counter Top Mounts for Screens](#)



[Counter Top Mounts for POS Printers](#)



[Counter Top Mounts for Screens and POS Printers](#)



[Under Counter Mounts for Screens](#)



[Under Counter Mounts for POS Printers](#)



[Under Counter Mounts for Screens and POS Printers](#)

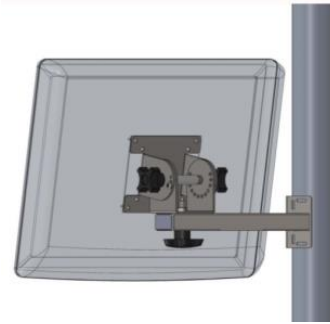
Interactive Catalog of Product Sub Groups

There are many individual products included in the various product sub groups featured on these pages.

Click on the images or descriptions to visit the individual product sub group pages on our website.

For Information about individual products; click on the "Product Attachments" tab on each of the individual product pages.

[Practical Quality Systems Home Page](#)



[Pole Mounts for Screens](#)



[Pole Mounts for POS Printers](#)



[Ceiling Mounts for Screens](#)



[Oracle MICROS Mounting Systems](#)



[NCR Aloha KDS Mounting Solutions](#)



[QSR KDS Mounting Solutions](#)



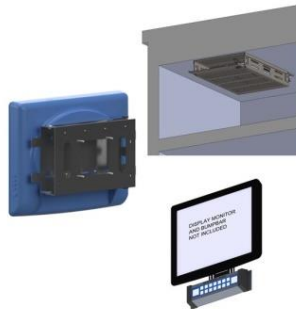
[Logic Controls Bematech KDS Mounting Solutions](#)



[Universal Kitchen Display System Mounting Packages](#)



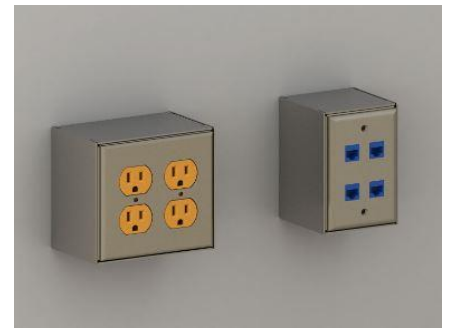
[Enclosures for Touchscreen, Monitors and Thin Clients](#)



[Back Of Screen VESA Mounts for Controllers, Thin Clients, Bump Bars, Tap+ Touch + EMV Readers](#)



[Stainless Steel Wireways](#)



[Stainless Steel Power and Data Outlet Monuments](#)

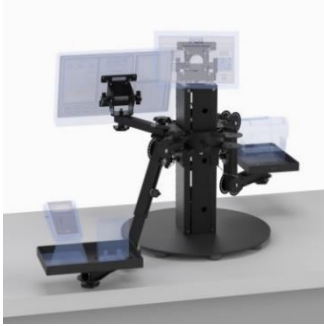
Interactive Catalog of Product Sub Groups

There are many individual products included in the various product sub groups featured on these pages.

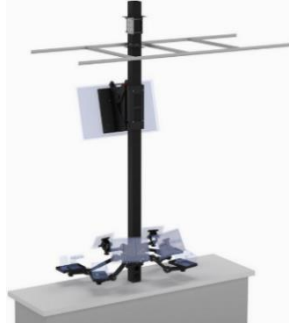
Click on the images or descriptions to visit the individual product sub group pages on our website.

For Information about individual products; click on the "Product Attachments" tab on each of the individual product pages.

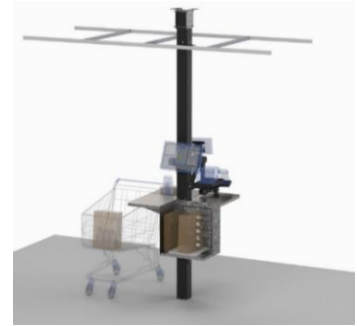
[Practical Quality Systems Home Page](#)



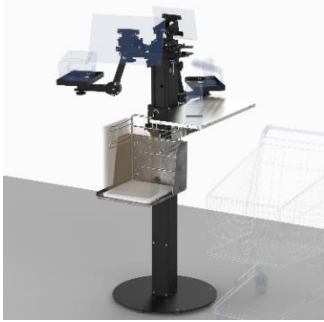
[Movable Countertop POS Stands](#)



[Direct Mount Countertop POS Stands](#)



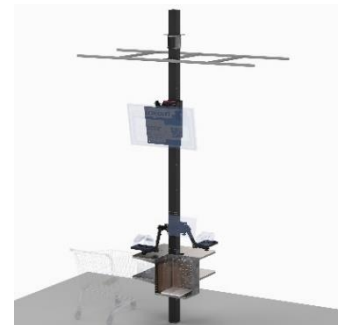
[POS Cashier Pole Stands](#)



[POS Cashier Floor Stands](#)



[POS Self-Check Out Kiosk Floor Stands](#)



[POS Self-Check Out Kiosk Pole Stands](#)



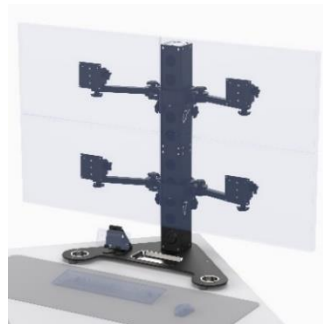
[Take Out Pickup Pole Stands](#)



[Take Out Pickup Floor Stands](#)



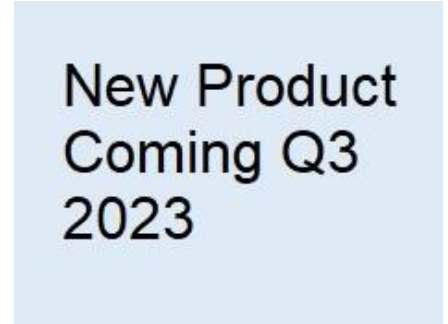
[Information Kiosk Floor Stands](#)



[Desktop Multi-Screen Pedestal Stands](#)



[4X4 Pole Clamp on Mounts](#)



[Mobile Cashier Stands](#)

Interactive Catalog of Product Sub Groups

There are many individual products included in the various product sub groups featured on these pages.

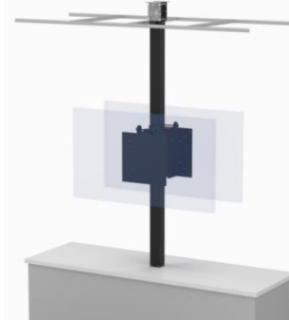
Click on the images or descriptions to visit the individual product sub group pages on our website.

For Information about individual products; click on the "Product Attachments" tab on each of the individual product pages.

[Practical Quality Systems Home Page](#)

New Product
Coming Q3
2023

Mobile Self-Check Out Stands



[Digital Signage Pole Stands](#)

New Product
Coming Q3
2023

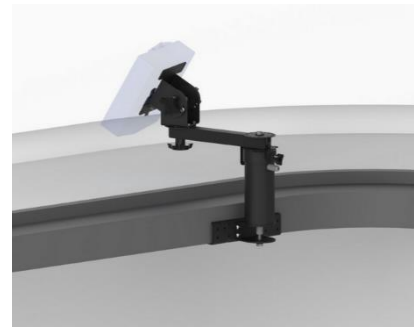
Stationary Podiums

New Product
Coming Q3
2023

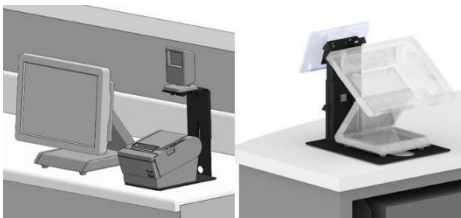
Stationary Podiums with Ceiling Feed Pole

New Product
Coming Q3
2023

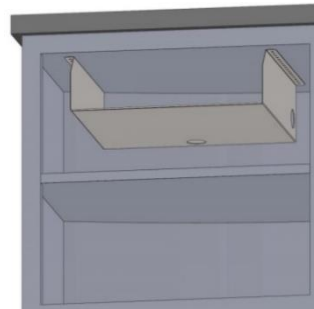
Mobile Podiums



[Ingenico Lane Reader Mounting Systems](#)



[Other Counter Top Mounts](#)



[Cash Drawer Mounting Solutions](#)