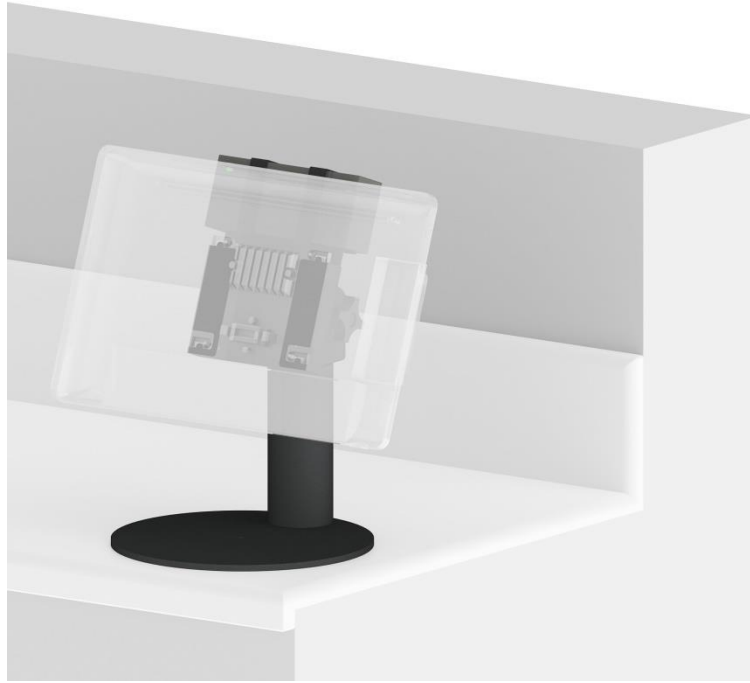


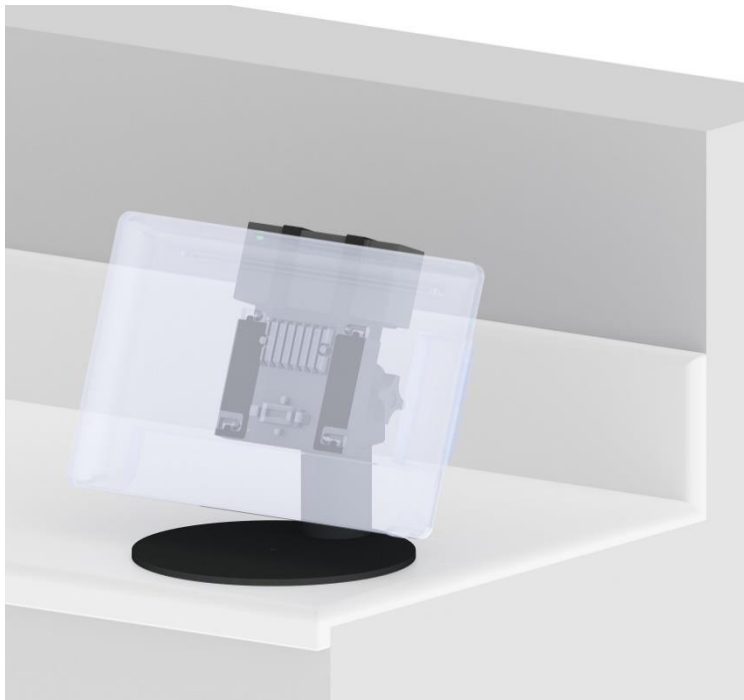
PQS

PRACTICAL QUALITY SYSTEMS

Fast Custom Manufacturing - Nationwide Installation Services



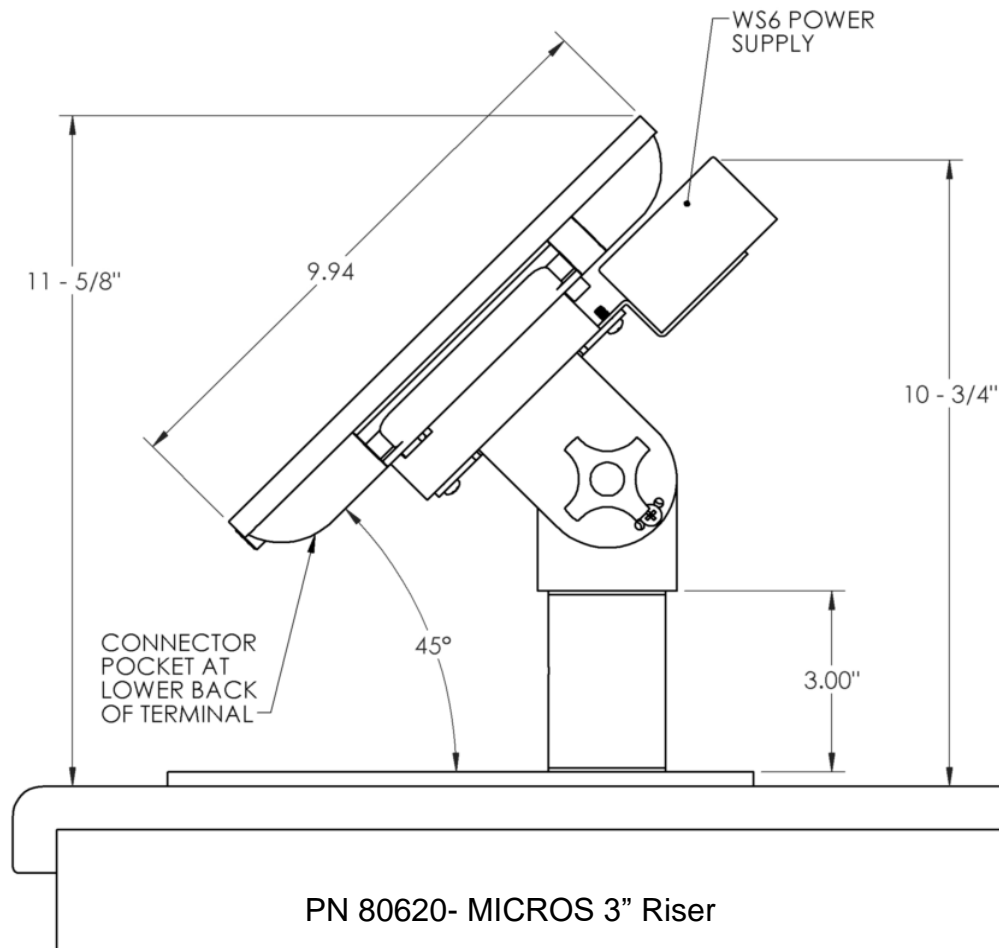
PN 80621- MICROS 6" Riser



PN 80620- MICROS 3" Riser

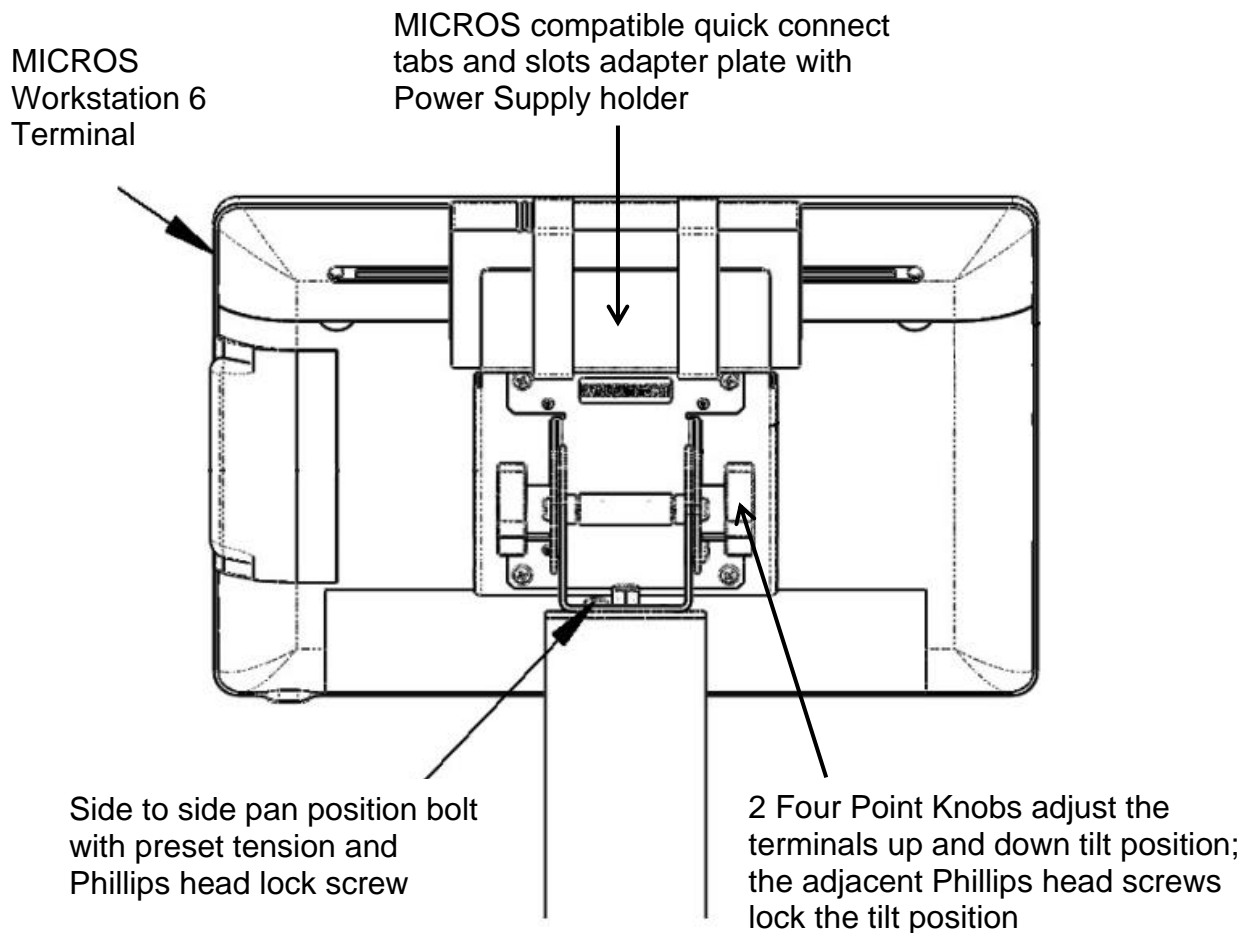


PN 80622- MICROS no Riser



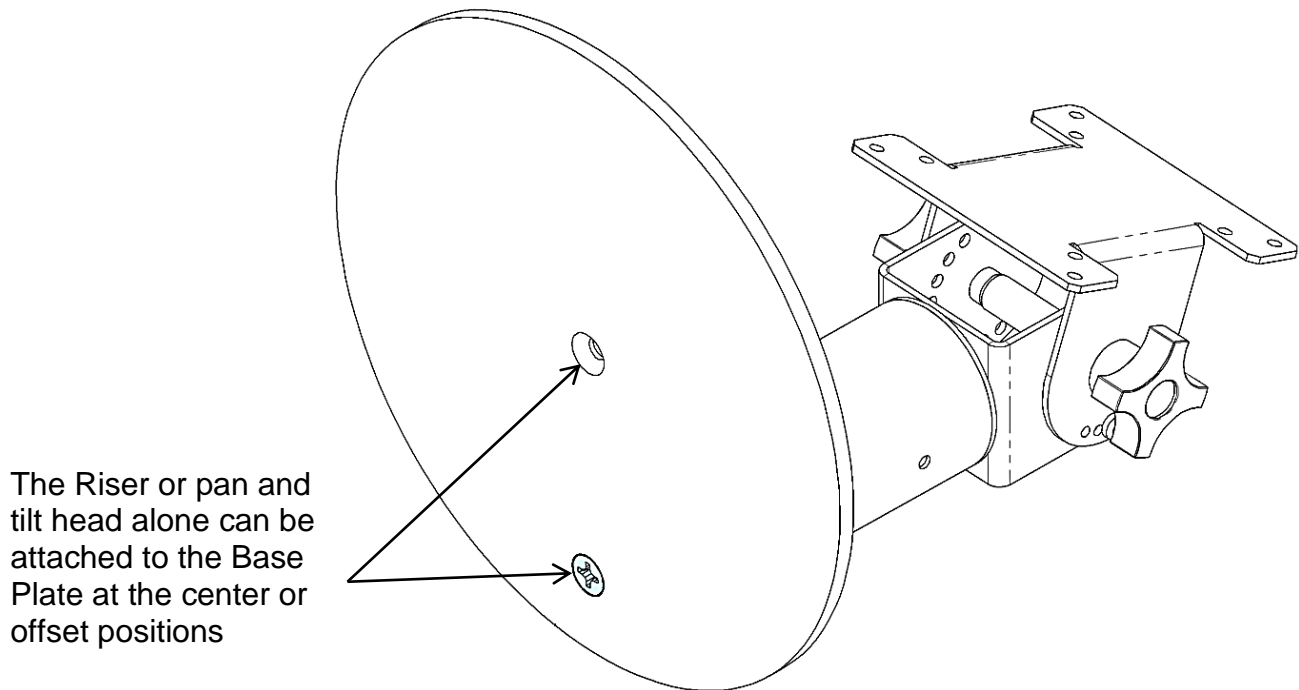
General Features

- Both of these Countertop mounts support all Oracle MICROS terminals with the MICROS Quick Connect tabs and slots mounting standard for Point of Sale / POS, Kitchen Display Systems / KDS in commercial kitchens, retail, restaurants, offices, industry, shops, medical, maritime, schools, laboratory and many other applications.
- An innovative set of joint assemblies allow two axis of position adjustment when attached to a Countertop or other horizontal surface.
- Beyond having flexible articulation; this mount has the key feature of being easily LOCKED in any desired screen position; this ability is VERY important when using touch screen equipment as it PREVENTS the screen from moving away from the user each time a touch is input.
- This assembly supports up to 15 lbs., is made of steel and finished with a durable, black, semi-gloss, powder coat that resists fingerprints.
- Visit kitchendisplaysystems.com for a free, easy to understand tutorial that covers all aspects of Kitchen Display Systems knowledge!
- For more information on the individual components included in this package please refer to the assembly sketches in this document and the downloadable product information sheets available on our website for each of the product pages for each part number.



MICROS Compatible Quick Connect Adapter plate, Pan and Tilt Head with Preset Pan Tension on a Riser

- Tightening the 2 four-point knobs applies variable clutching resistance to allow adjustment of the up and down tilt position of the screen. Tighten either of the two 10-32 Phillips head screws adjacent to the four-point knobs to permanently secure the tilt position of the terminal.
- The side-to-side pan position resistance is preset at the factory with a 5/16" bolt in the center of the lower plate and should not need adjustment. However, a 1/2" wrench can be used to adjust the tension on this bolt. A 10-32 Phillips head screw on the lower Panning plate can be tightened to somewhat permanently secure the pan position.

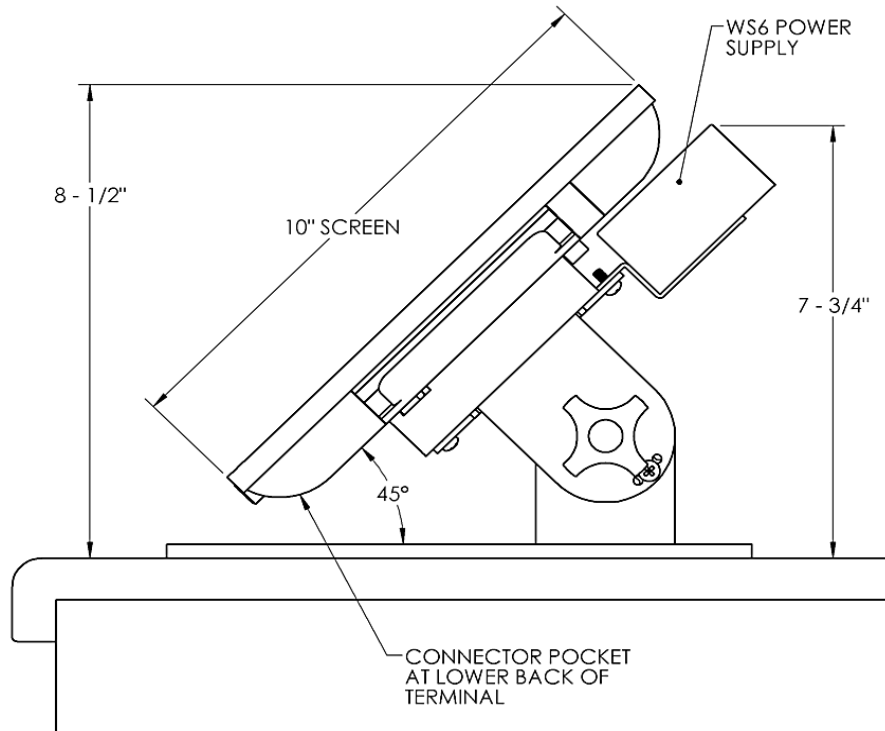


12" Round Base Plate features

- The 12" round base plate is equipped with six, adhesive, non-slip, rubber feet (not shown in image above.)
- The Riser Assembly can be attached to the Base Plate at the center or offset positions; however as shipped from the factory; the riser is located at the offset position.
- Know that the lower riser screw that secures the riser assembly to the base plate was installed with thread locking compound to prevent the screw from loosening and the riser turning.
- It is challenging; but possible to remove this screw using a cordless impact driver and a large Philips head bit. Important Note: removal of the lower riser screw should only be attempted by qualified persons.

To remove the lower riser screw and change the position of the riser on the base plate;

1. Start with the screen removed from the VESA mounting plate of the pan and tilt head.
2. Wrap the assembly in a towel or other thick cloth to prevent scratching of the finish.
3. Place the assembly in the towel lying on its side with the VESA mounting plate turned to lay flat against a solid surface.
4. Grip the riser section firmly and use the impact driver in short bursts to loosen the screw.
5. Once the screw is removed; align the threaded hole in the bottom of the riser section with the desire hole in the base plate; hold the riser section firmly and reinstall the screw with a Phillips screws driver.



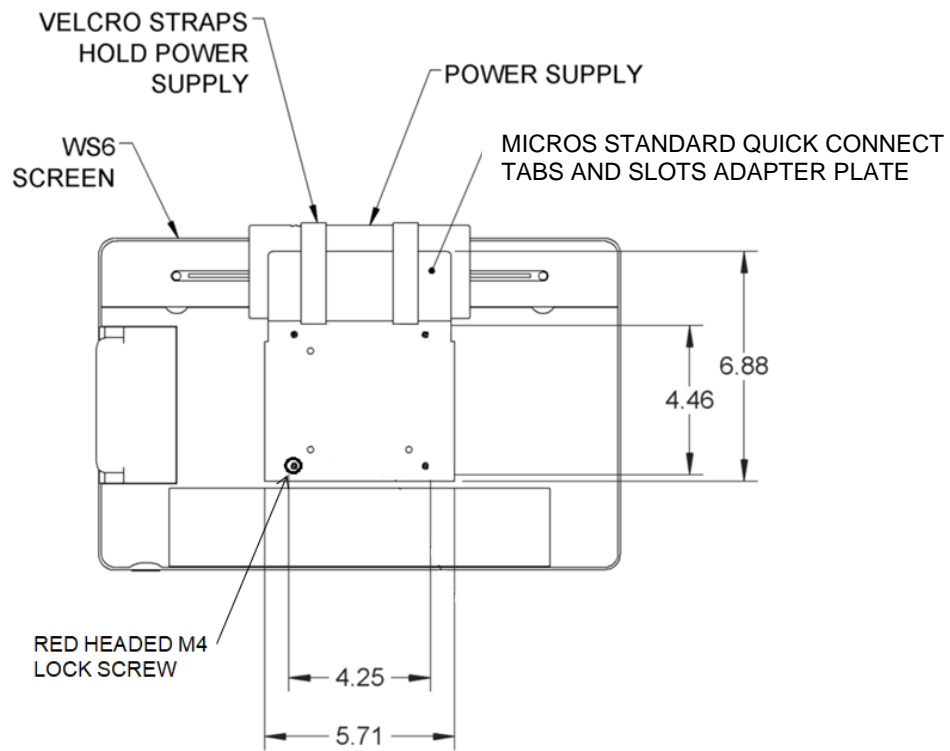
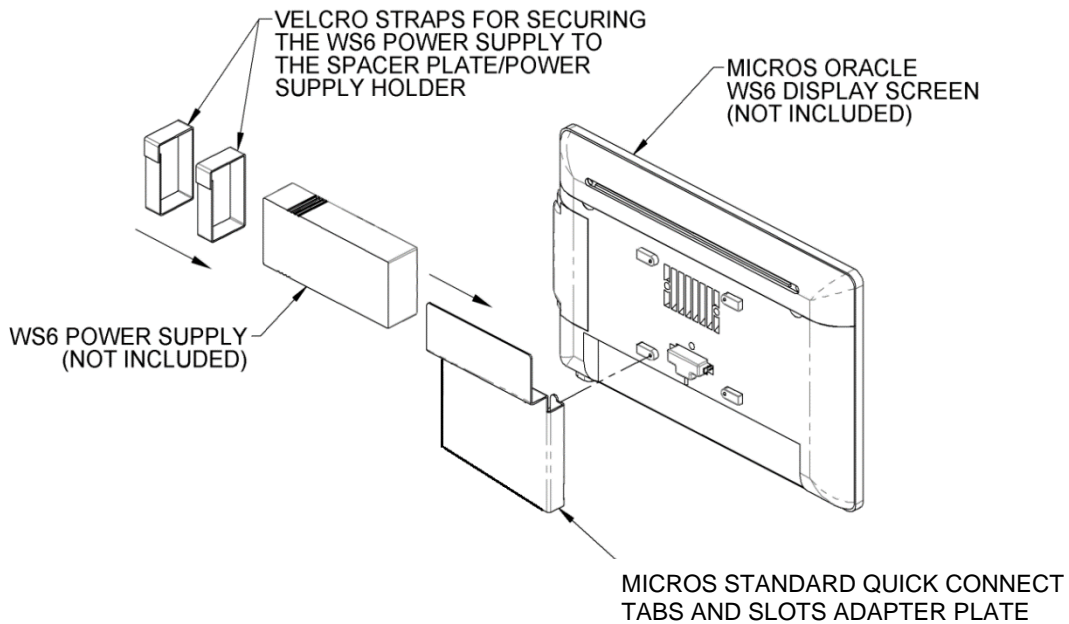
PN 80622- MICROS no Riser

Below is a partial list of Oracle MICROS compatible Terminals that use the MICROS Quick Connect tabs and slots mounting standard:

- Oracle MICROS Workstation 625X.
- Oracle MICROS Workstation 655X.
- Oracle MICROS Workstation 6 POS Terminal.
- Oracle MICROS Workstation 610.
- Oracle MICROS Workstation 620.
- Oracle MICROS Workstation 625.
- Oracle MICROS Workstation 650.
- Oracle MICROS Workstation 625.
- Oracle MICROS Workstation 655.
- Oracle MICROS Compact Workstation 310.
- Oracle MICROS Express Station 4 Series.
- Oracle MICROS Express Station 400.
- Oracle MICROS Express Station 410.

We believe in ethical SEO relevancy; the following section was included to assist the all-knowing algorithms in locating this page; however, some humans like it too.

- MICROS Countertop mount, MICROS Countertop mounting bracket, MICROS Countertop mount bracket, MICROS Terminal Countertop mount, MICROS Terminal Countertop mounting bracket, MICROS Terminal Countertop mount bracket.
- MICROS Point of Sale terminal Countertop mount, MICROS KDS Countertop mount, MICROS KDS Countertop mounting bracket, MICROS KDS Countertop mount bracket, MICROS Kitchen Display System Countertop mount.



Install the Oracle MICROS External Power Supply PN 400351-038-PT or other model on the power supply holder and secure with the hook and loop straps.

Once the four taps on the Micros compatible adapter plate are properly inserted into the four slots on the back of the terminal; tighten the red headed lock screw to secure the WS6 or other terminal to the adaptor plate.

Interactive Catalog of Mounting Systems for Workstation 610, Compact 310 & Express Station 400

These mounts are included in the [Mounting Systems for Workstation 610, Compact 310 & Express Station 400](#) product group pages on our website.

For more information; click on the images or descriptions to visit the individual product pages on our website.

PDF Product Information Sheets are available at the Product Attachments tab on each product page.

[Practical Quality Systems Home Page](#)



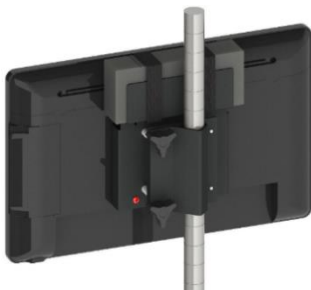
[PN 80000-MICROS - Wall Mount + adjustable 8" arm + WS6 Pan - Tilt Head + PS holder](#)



[PN 80005-MICROS - Wall Mount + 7 axis adjustable arm + WS6 biased Pan - Tilt Head + PS holder](#)



[PN 80016-MICROS - Clamping mount for a 1" dia. steel wire rack leg + stand off bracket + 8" arm + MICROS Oracle Workstation 6 Pan - Tilt Head](#)



[PN 80017-MICROS - Clamping mount for a 1" dia. steel wire rack leg + flat mount for an Oracle MICROS Workstation 6](#)



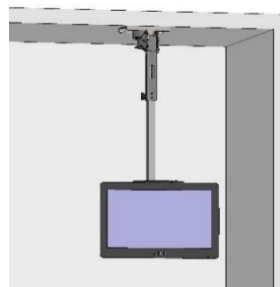
[PN 80050-MICROS - Wall Mount + adjustable 15" arm + WS6 biased Pan - Tilt Head + PS holder](#)



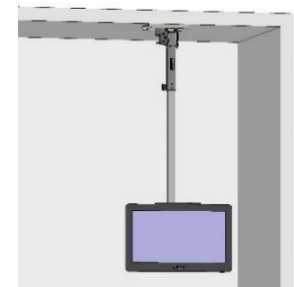
[PN 80053-MICROS - Wall Mount + 8" Arm + WS6 Pan - Tilt Head + Power Supply Holder](#)



[PN 80100-MICROS - Countertop Fixed Pedestal Mount + 6" Riser + WS6 Pan - Tilt Head + PS holder](#)



[PN 80104-2026-MICROS - 7 Axis Ceiling Mount + 20" Extendable Arm + Biased WS6 Pan - Tilt Head + PS holder](#)



[PN 80104-2632-MICROS - 7 Axis Ceiling Mount + 26" Extendable Arm + Biased WS6 Pan - Tilt Head + PS holder](#)



[PN 80104-MICROS - 7 Axis Ceiling Mount + Extendable Arm + Biased WS6 Pan - Tilt Head + PS holder](#)



[PN 80117-MICROS - Adjustable Arm Shelf Edge Mount + WS6 Pan - Tilt head + PS holder](#)



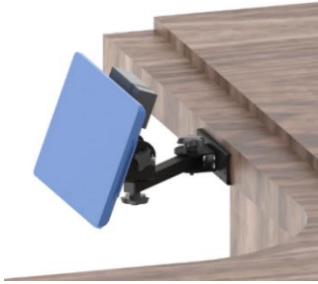
[PN 80140-MICROS - Low profile tilting mount + WS6 pan - tilt head](#)

Interactive Catalog of Mounting Systems for Workstation 610, Compact 310 & Express Station 400

These mounts are included in the [Mounting Systems for Workstation 610, Compact 310 & Express Station 400](#) product group pages on our website.

For more information; click on the images or descriptions to visit the individual product pages on our website. PDF Product Information Sheets are available at the Product Attachments tab on each product page.

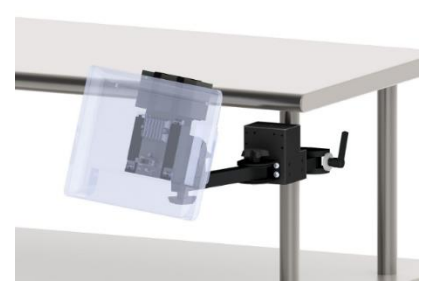
[Practical Quality Systems Home Page](#)



[PN 80200-MICROS - Under Counter Mount + adjustable 8" Arm + WS6 Pan - Tilt Head + PS holder](#)



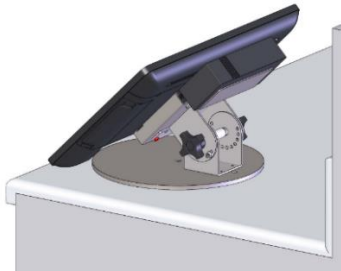
[PN 80270-MICROS - Quick Clamp Pole Mount + Riser + Arm + Oracle MICROS WorkStation 6 Pan - Tilt Head](#)



[PN 80273-MICROS - Quick Clamp Pole Mount + Arm + Oracle MICROS WorkStation 6 Pan - Tilt Head](#)



[PN 80277-MICROS - Quick Clamp Pole Mount + Flat Mount for Oracle MICROS WorkStation 6](#)



[PN 80622-MICROS - Countertop Movable Pedestal Mount + WS6 Pan - Tilt Head + PS holder](#)



[PN 80910-MICROS-Gal - Flat Wall Mount for WS6 + PS holder](#)



[PN 80914-MICROS-SS - Shelf Bridge WS6 Support System + PS holder](#)



[PN 80941-MICROS-SS - Tilting WS6 Shelf Edge Mount + PS holder](#)



[PN 80942-MICROS - Tilting Wall Mount for WS6 + PS holder](#)



[PN 80945-MICROS - Rear Marketing Display Mount for Oracle MICROS WS6](#)

Interactive Catalog of Product Sub Groups

There are many individual products included in the various product sub groups featured on these pages.

Click on the images or descriptions to visit the individual product sub group pages on our website.

For Information about individual products; click on the "Product Attachments" tab on each of the individual product pages.

[Practical Quality Systems Home Page](#)



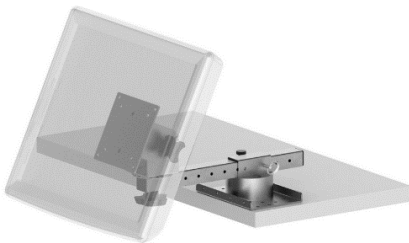
[Wall Mounts for Screens](#)



[Wall Mounts for POS Printers](#)



[Wall Mounts for Screens and POS Printers](#)



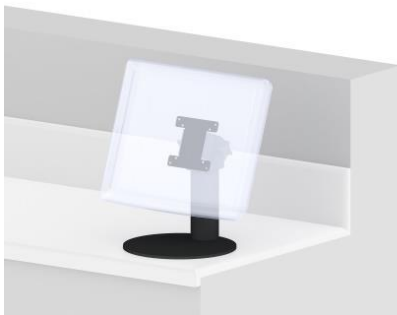
[Shelf Edge Mounts for Screens](#)



[Shelf Edge Mounts for POS Printers](#)



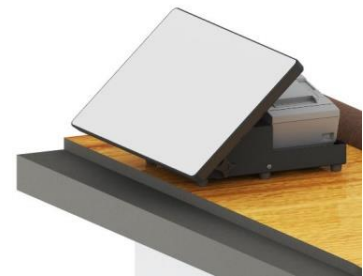
[Shelf Edge Mounts for Screens and POS Printers](#)



[Counter Top Mounts for Screens](#)



[Counter Top Mounts for POS Printers](#)



[Counter Top Mounts for Screens and POS Printers](#)



[Under Counter Mounts for Screens](#)



[Under Counter Mounts for POS Printers](#)



[Under Counter Mounts for Screens and POS Printers](#)

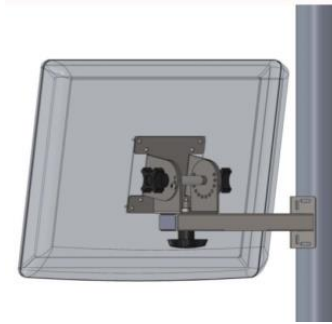
Interactive Catalog of Product Sub Groups

There are many individual products included in the various product sub groups featured on these pages.

Click on the images or descriptions to visit the individual product sub group pages on our website.

For Information about individual products; click on the "Product Attachments" tab on each of the individual product pages.

[Practical Quality Systems Home Page](#)



[Pole Mounts for Screens](#)



[Pole Mounts for POS Printers](#)



[Ceiling Mounts for Screens](#)



[Oracle MICROS Mounting Systems](#)



[NCR Aloha KDS Mounting Solutions](#)



[QSR KDS Mounting Solutions](#)



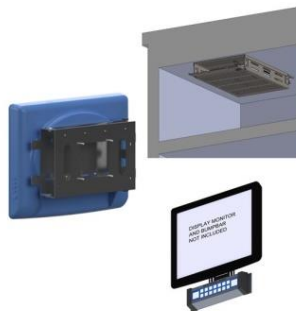
[Logic Controls Bematech KDS Mounting Solutions](#)



[Universal Kitchen Display System Mounting Packages](#)



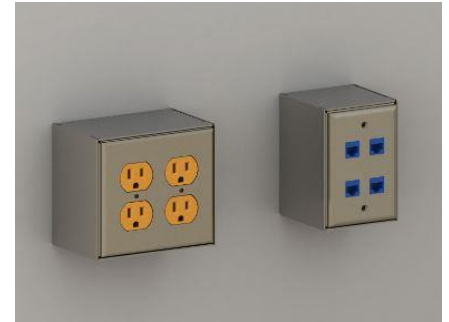
[Enclosures for Touchscreen, Monitors and Thin Clients](#)



[Back Of Screen VESA Mounts for Controllers, Thin Clients, Bump Bars, Tap+ Touch + EMV Readers](#)



[Stainless Steel Wireways](#)



[Stainless Steel Power and Data Outlet Monuments](#)

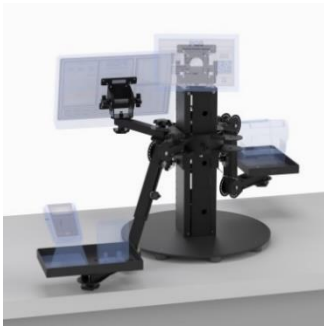
Interactive Catalog of Product Sub Groups

There are many individual products included in the various product sub groups featured on these pages.

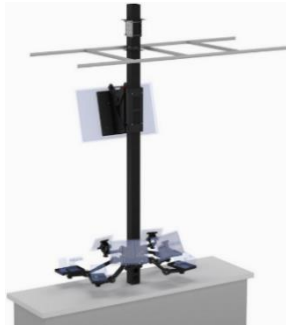
Click on the images or descriptions to visit the individual product sub group pages on our website.

For Information about individual products; click on the "Product Attachments" tab on each of the individual product pages.

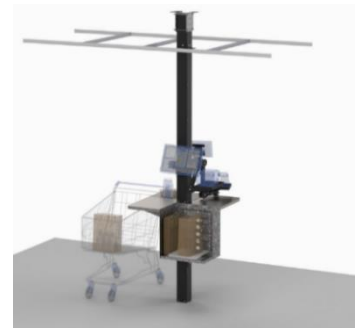
[Practical Quality Systems Home Page](#)



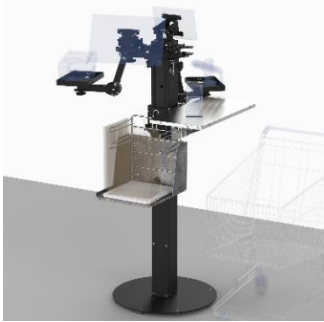
[Movable Countertop POS Stands](#)



[Direct Mount Countertop POS Stands](#)



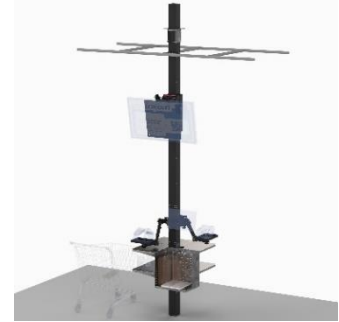
[POS Cashier Pole Stands](#)



[POS Cashier Floor Stands](#)



[POS Self-Check Out Kiosk Floor Stands](#)



[POS Self-Check Out Kiosk Pole Stands](#)



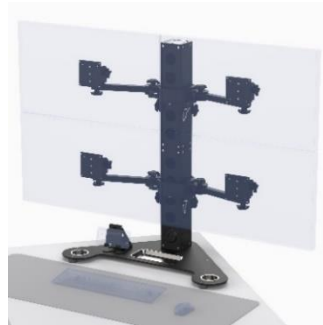
[Take Out Pickup Pole Stands](#)



[Take Out Pickup Floor Stands](#)



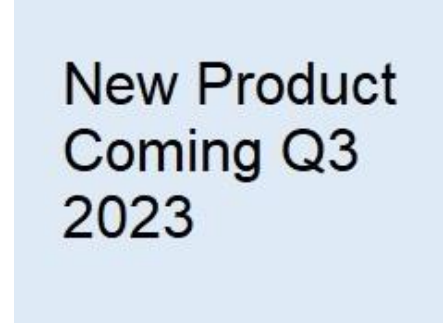
[Information Kiosk Floor Stands](#)



[Desktop Multi-Screen Pedestal Stands](#)



[4X4 Pole Clamp on Mounts](#)



[Mobile Cashier Stands](#)

Interactive Catalog of Product Sub Groups

There are many individual products included in the various product sub groups featured on these pages.

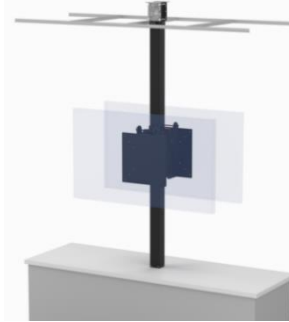
Click on the images or descriptions to visit the individual product sub group pages on our website.

For Information about individual products; click on the "Product Attachments" tab on each of the individual product pages.

[Practical Quality Systems Home Page](#)

New Product
Coming Q3
2023

Mobile Self-Check Out Stands



[Digital Signage Pole Stands](#)

New Product
Coming Q3
2023

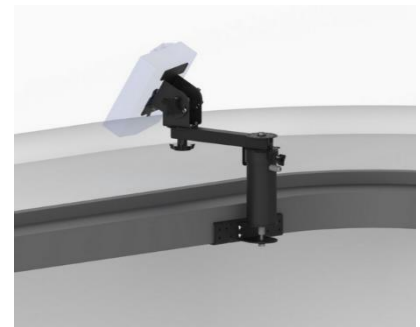
Stationary Podiums

New Product
Coming Q3
2023

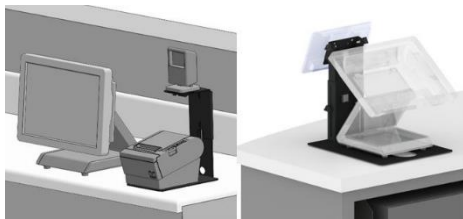
Stationary Podiums with Ceiling Feed Pole

New Product
Coming Q3
2023

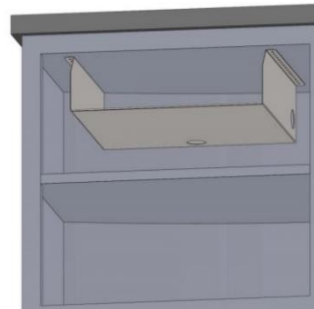
Mobile Podiums



[Ingenico Lane Reader Mounting Systems](#)



[Other Counter Top Mounts](#)



[Cash Drawer Mounting Solutions](#)